

THIS DRAWING IS UNPUBLISHED.

RELEASED FOR PUBLICATION

20

LOC J

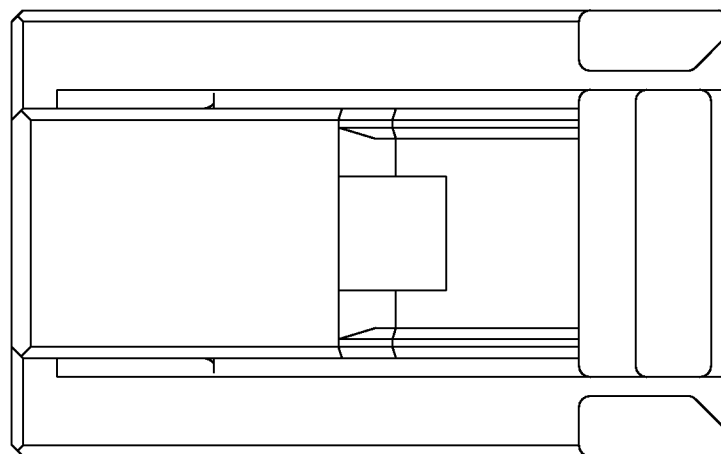
DIST -

REVISIONS

© COPYRIGHT 20

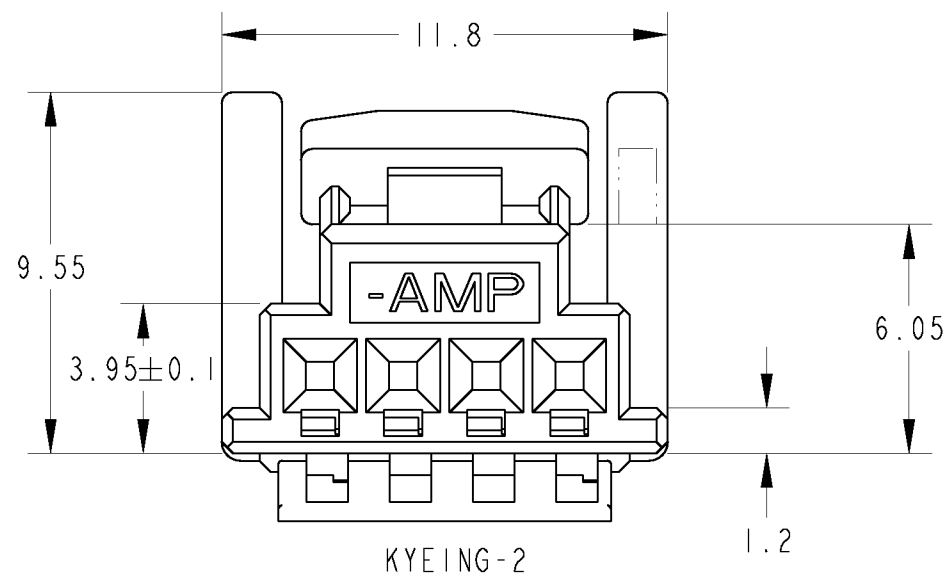
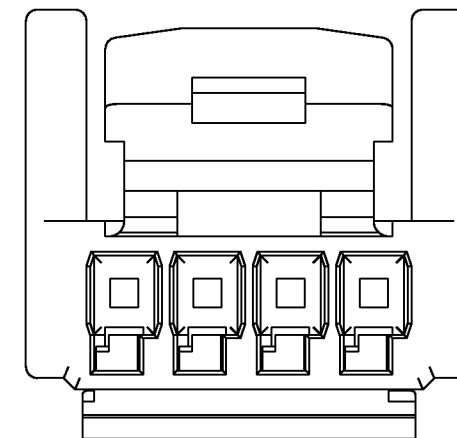
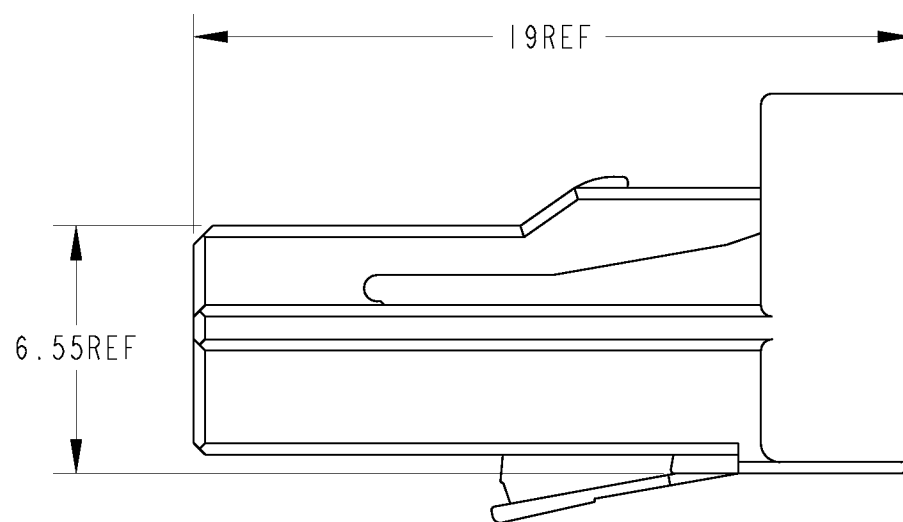
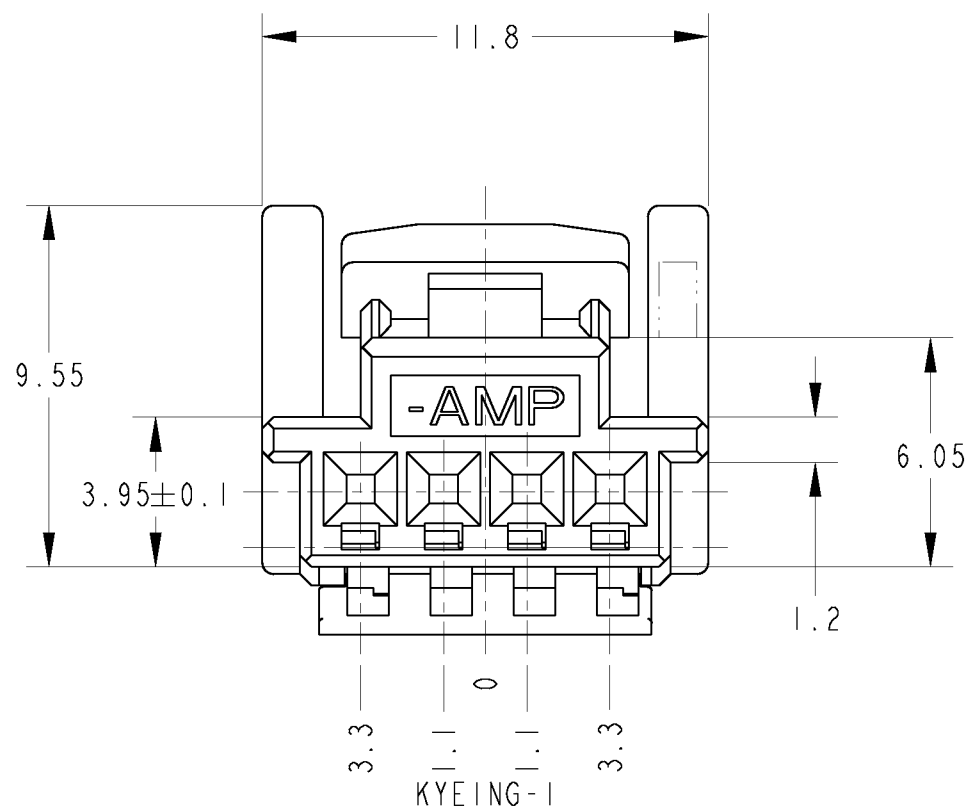
ALL RIGHTS RESERVED.

| P | LTR | DESCRIPTION | DATE | DWN | APVD |
|---|-----|---------------------------|-----------|-----|------|
| | B1 | REVISED PER ECO-11-005140 | 05APR2011 | RK | HMR |



1. DOUBLE LOCK SHOULD BE SET TO THE PRE-ASSEMBLY POSITION WITHIN THE PLUG HOUSING WHEN SHIPPED TO THE CUSTOMER

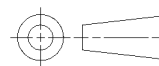
1. ダブルロックは、仮係止状態で出荷される。



| | | |
|----------|---------|-------------|
| KYEING-2 | GRAY | 1473672-2 |
| KYEING-1 | NATURAL | 1473672-1 |
| KYEING | COLOR | PART NUMBER |

THIS DRAWING IS A CONTROLLED DOCUMENT.

DIMENSIONS:
単位: mm



TOLERANCES UNLESS OTHERWISE SPECIFIED:
一般公差 ±0.3
0-PLC ±
1-PLC ±0.1
2-PLC ±0.01
3-PLC ±0.001
4-PLC ±0.0001
ANGLES ±1.00'

MATERIAL
材料 PBT

FINISH
仕上 -

DWN D. MATSUURA 20NOV01

CHK T. KOHNO 20NOV01

APVD N. SAI 20NOV01

PRODUCT SPEC
製品規格 108-5660

APPLICATION SPEC
取付適用規格 -

WEIGHT 1.0 g

STE TE Connectivity

NAME 025 4POSITION PLUG HOUSING

| | | | |
|---------|-----------------|-----------------------|-----------------|
| SIZE A3 | CAGE CODE 00779 | DRAWING NO. C=1473672 | RESTRICTED TO - |
|---------|-----------------|-----------------------|-----------------|

CUSTOMER DRAWING SCALE 5:1 SHEET 1 OF 1 REV B1

Mouser Electronics

Authorized Distributor

Click to View Pricing, Inventory, Delivery & Lifecycle Information:

[TE Connectivity:](#)

[1473672-2](#)