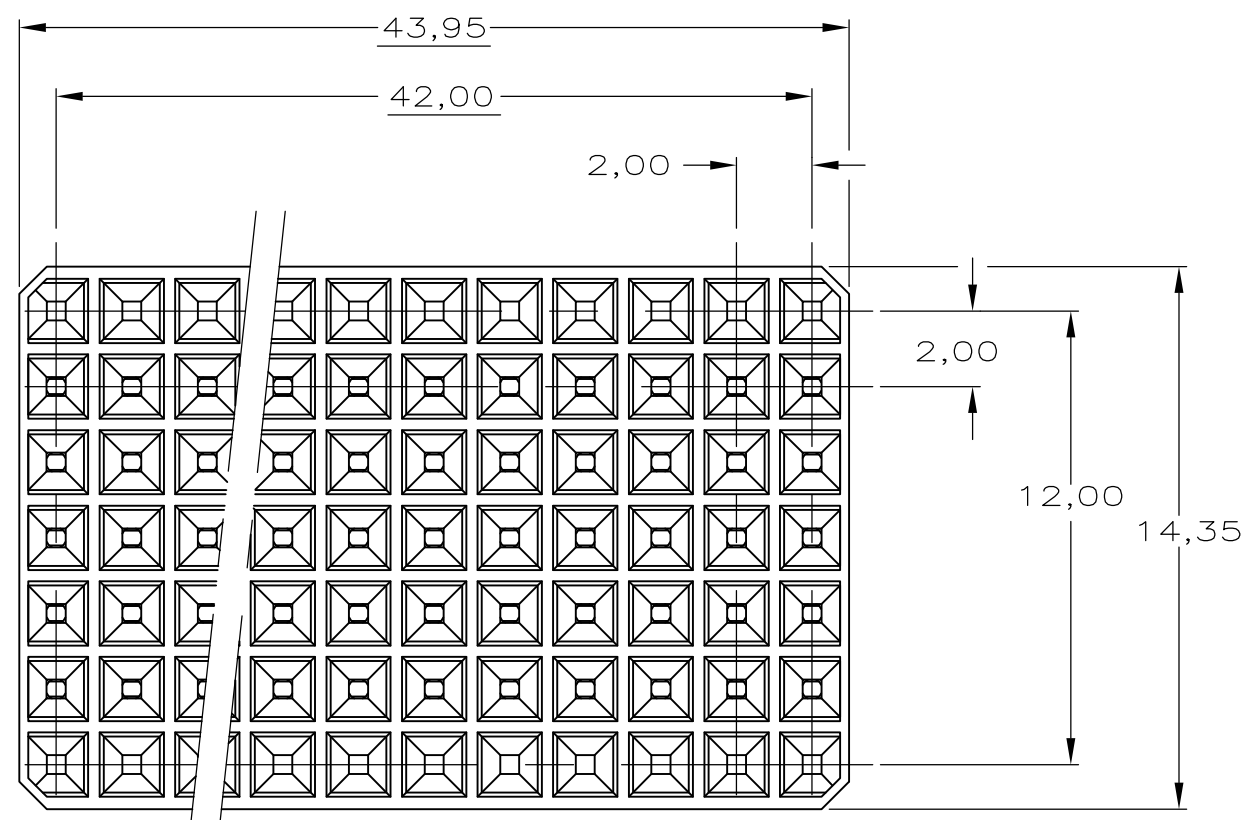


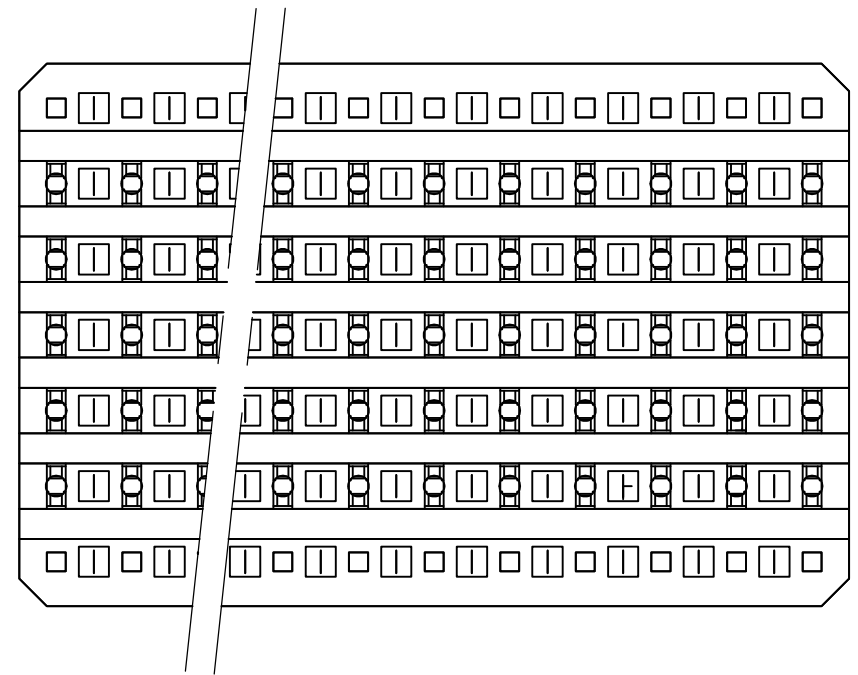
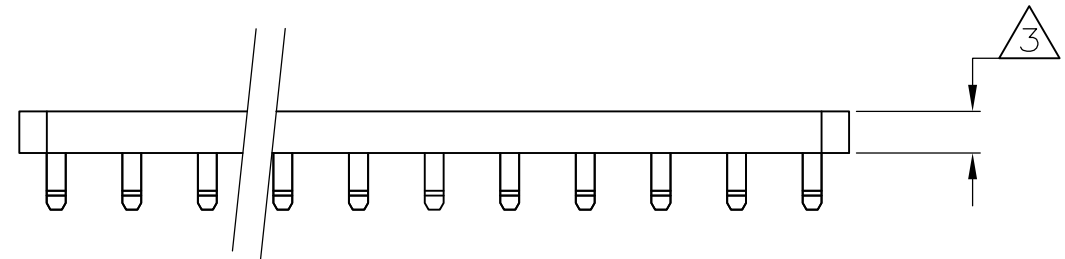
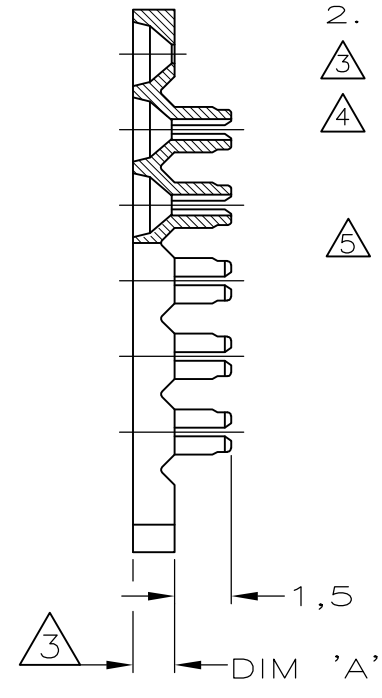
THIS DRAWING IS UNPUBLISHED. RELEASED FOR PUBLICATION
 © COPYRIGHT - TE Connectivity ALL RIGHTS RESERVED.

REVISIONS					
P	LTR	DESCRIPTION	DATE	DWN	APVD
	D	ECR-16-013255	14JUL2017	FL	SY



NOTES:

- 1. MATERIAL: UNFILLED POLYESTER.(GREY)
- 2. 0-352129-3 AS SHOWN.
- 3. VARIABLE HEIGHT.
- 4. TO DETERMINE THE RECOMMENDED SPACER-THICKNESS FOR A GIVEN PCB THICKNESS: SEE APPLICATION SPECIFICATION 114-19031.
- 5. OBSOLETE PARTS: OBSOLETE CIS STREAMLINING PER D.RENAUD/D.SINISI



	PARTNUMBER	4 DIM "A"
5 OBSOLETE	0-352129-1	0,7
	0-352129-2	0,9
	0-352129-3	1,1
	0-352129-4	1,3
	0-352129-5	1,5
OBSOLETE	0-352129-6	1,7
OBSOLETE	0-352129-7	1,9

THIS DRAWING IS A CONTROLLED DOCUMENT.		DWN 16-AUG-96 D. TRUREN	TE Connectivity		
DIMENSIONS: mm		CHK 24 JUN 1997 FvKONINGSBRUGGE			
TOLERANCES UNLESS OTHERWISE SPECIFIED:		APVD 24 JUN 1997 FvKONINGSBRUGGE	PRODUCT SPEC		RESTRICTED TO
0-PLC ± -- 1-PLC ± -- 2-PLC ± -- ±0.2 3-PLC ± -- 4-PLC ± -- ANGLES ± -- FINISH		APPLICATION SPEC		SIZE	CAGE CODE
MATERIAL		WEIGHT 0.000000		A3	00779
		CUSTOMER DRAWING		DRAWING NO C-352129	
		SCALE -		SHEET 1 OF 1	
				REV D	

Mouser Electronics

Authorized Distributor

Click to View Pricing, Inventory, Delivery & Lifecycle Information:

[TE Connectivity:](#)

[352129-5](#)