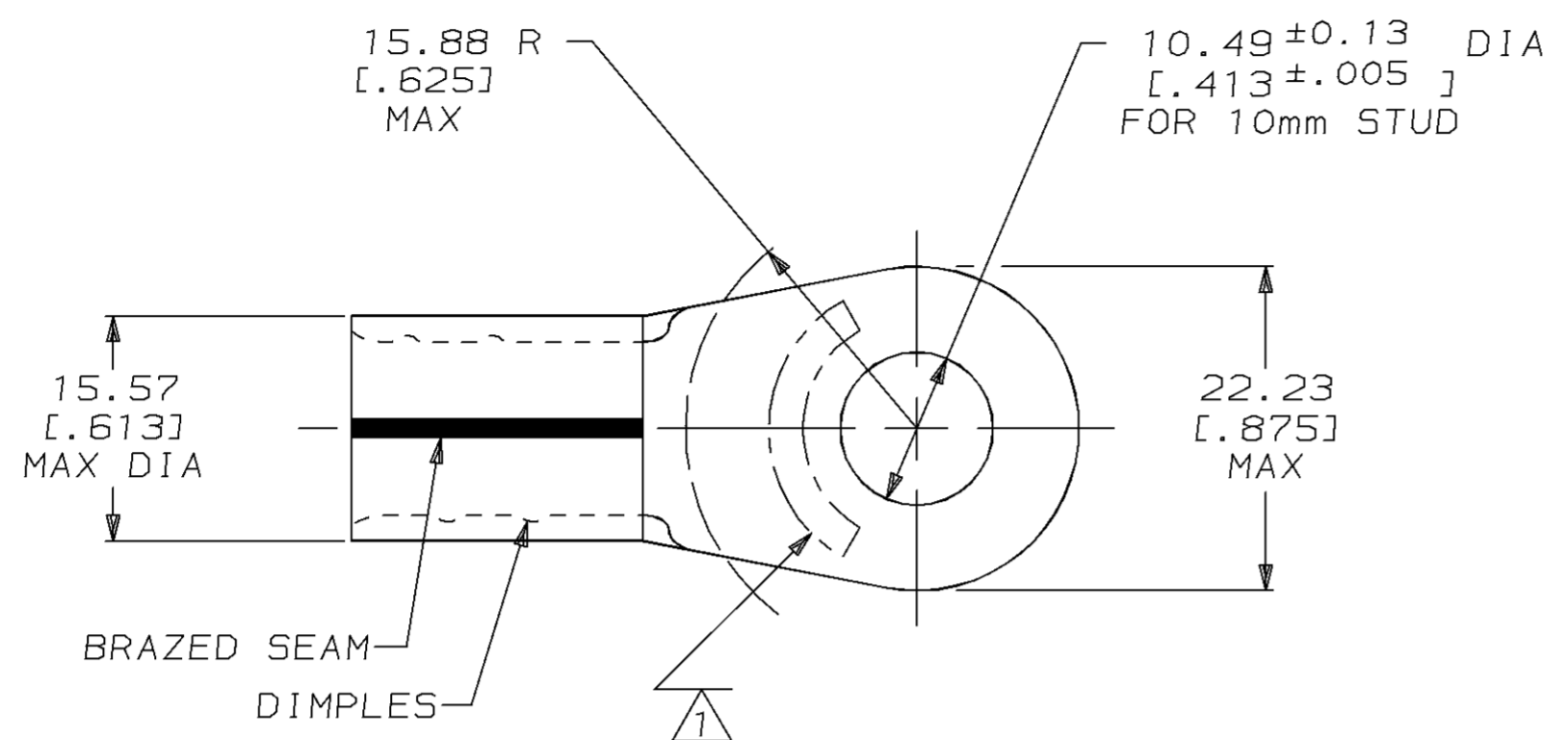


THIS DRAWING IS UNPUBLISHED. RELEASED FOR PUBLICATION ,19 .  
 © COPYRIGHT 19 BY AMP INCORPORATED. ALL INTERNATIONAL RIGHTS RESERVED.

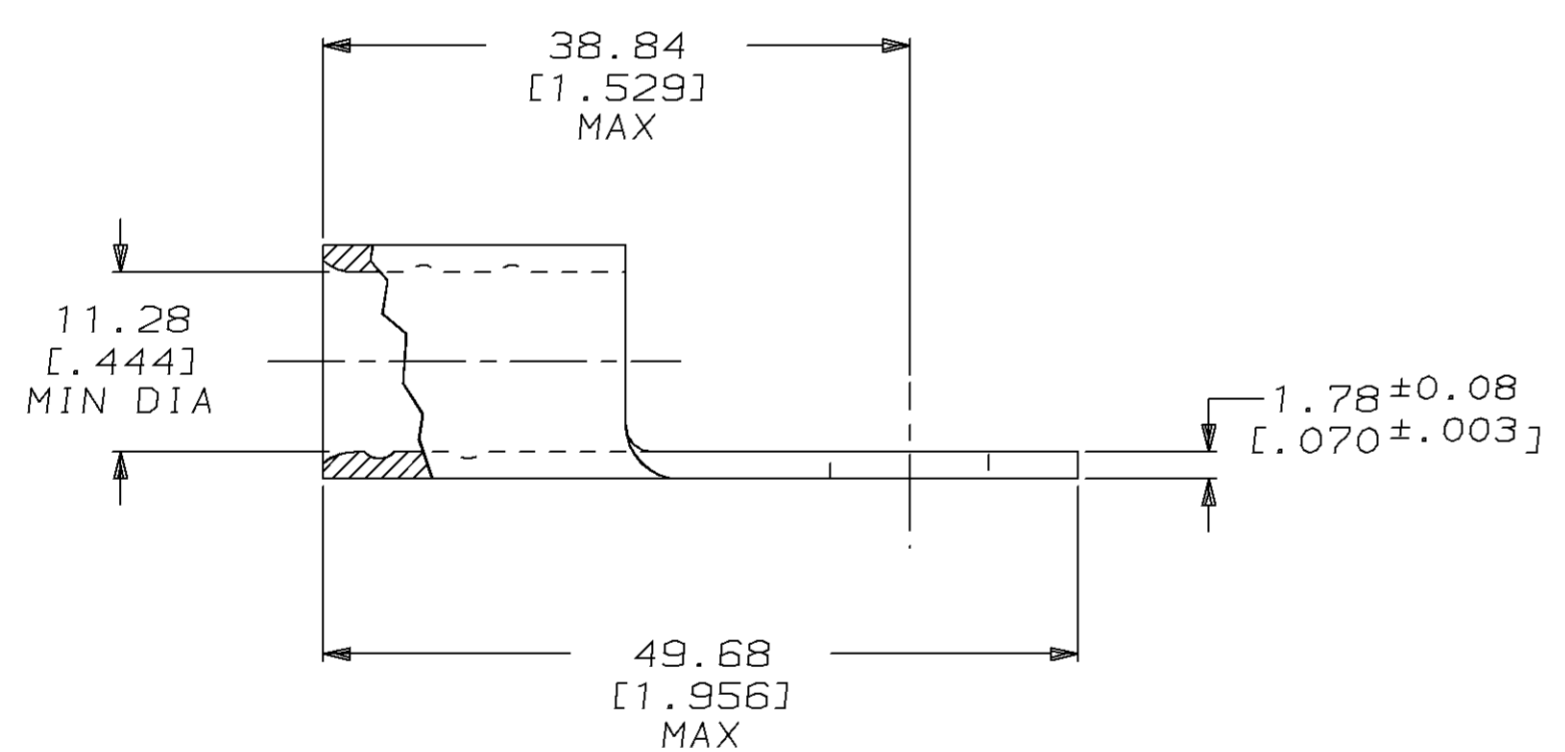
| LOC | DIST | P | F | ZONE | LTR | DESCRIPTION              | DATE    | APPD    |
|-----|------|---|---|------|-----|--------------------------|---------|---------|
| G   | 14   |   |   |      | A   | REVISED PER 0720-0465-95 | 02MAR95 | OKS AJK |

**METRIC**  
 DIMENSIONS LISTED IN mm [ INCHES ]



|                               |                            |
|-------------------------------|----------------------------|
| <b>AMP</b><br>WIRE RANGE      | <b>UL</b> E13288<br>Listed |
| 1/0 AWG<br>SOLID OR STRANDED  | 1/0 AWG<br>STRANDED        |
| <b>SR</b> LR7189<br>Certified | MILITARY P/N<br>AND CLASS  |
| 1/0 AWG<br>SOLID OR STRANDED  | NOT<br>APPLICABLE          |

① STAMP AMP 1/0W\* APPROX AS SHOWN



|  |  |   |  |                            |  |
|--|--|---|--|----------------------------|--|
| AMP INCORPORATED<br>CUSTOMER SERVICE SYSTEMS                                     |  | MAX RECOMMENDED OPERATING TEMPERATURE:<br>170°C MAX   | DO NOT SCALE PRINT.<br>UNLESS SPECIFIED<br>DIMENSIONS IN mm [INCHES]<br>TOLERANCES ON:<br>2 PLC DEC ± -<br>3 PLC DEC ± -<br>ANGLES ± - | DR 03NOV94<br>DK SCHRUM    | <b>AMP</b> AMP Incorporated<br>Harrisburg, PA 17105-3608 |
| FOR ADDITIONAL PRODUCT INFORMATION OR COPIES OF DRAWINGS AND TECHNICAL DOCUMENTS | PRODUCT INFORMATION CENTER<br>1-800-522-6752 | VOLTAGE RATING:<br>NOT APPLICABLE   | MATERIAL<br>COPPER PER<br>ASTM B-152<br>ANNEALED   | CHK 08NOV94<br>AJ KAUFMAN  |  |
| FOR APPLICATION TOOLING INFORMATION  | TOOLING ASSISTANCE CENTER<br>1-800-722-1111  | WIRE CROSS SECTIONAL AREA RANGE:<br>42.4-60.6mm <sup>2</sup> [83,700-119,500] CIR MILS<br>SOLID OR STRANDED   | FINISH<br>TIN PLATE<br>0.00254[0.000100] MIN<br>THK PER MIL-T-10727  | APPD 08NOV94<br>RE ROSER   | NAME<br>TERMINAL, RING TONGUE,<br>SOLISTRAND™            |
| FOR ORDER ENTRY  | 1-800-526-5142                               | THIS DRAWING IS A CONTROLLED DOCUMENT FOR AMP INCORPORATED. IT IS SUBJECT TO CHANGE AND THE CONTROLLING ENGINEERING ORGANIZATION SHOULD BE CONTACTED FOR THE LATEST REVISION. |  | APPD 08NOV94<br>JL MECKLEY |  |
|  |  |   |  | PRODUCT SPEC<br>-          | SIZE<br>C 00779  |
|  |  |   |  | APPLICATION SPEC<br>-      | DRAWING NO<br>G=184070                                   |
|  |  |   |  | WEIGHT<br>-                | SCALE 2:1  |
|  |  |   |  |                            | SHEET 1 OF 1   |

# Mouser Electronics

Authorized Distributor

Click to View Pricing, Inventory, Delivery & Lifecycle Information:

[TE Connectivity:](#)

[184070-1](#)