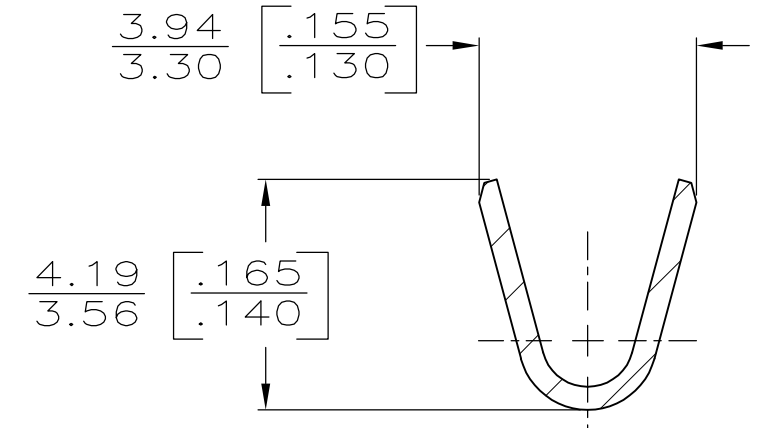
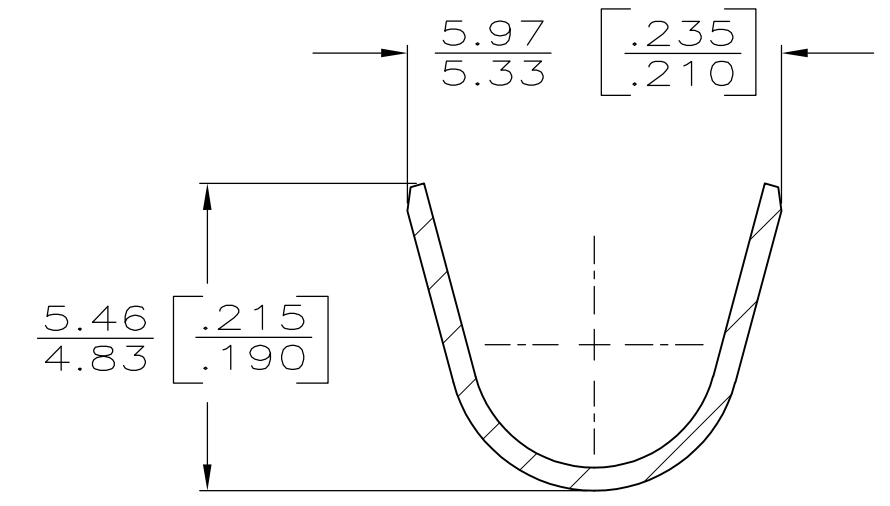
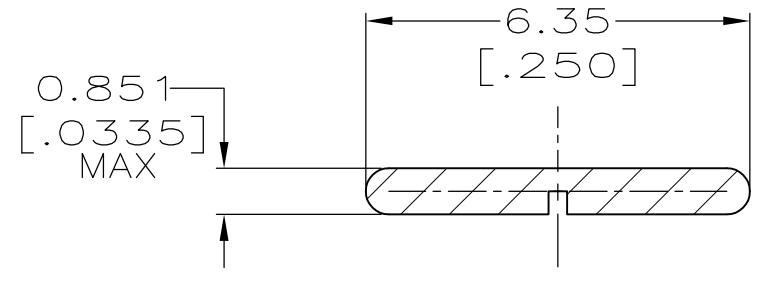
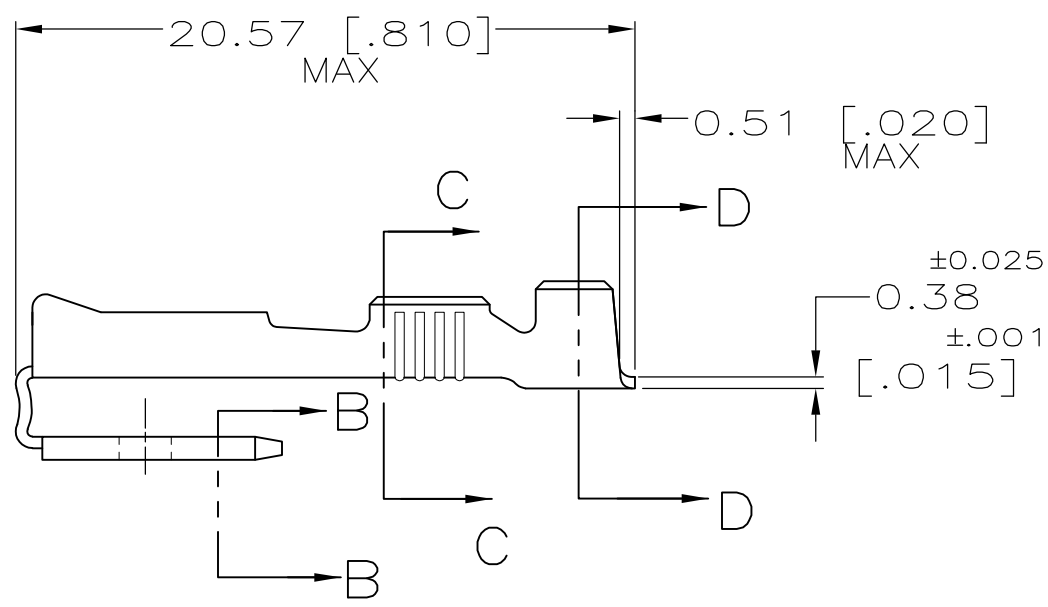


THIS DRAWING IS UNPUBLISHED. RELEASED FOR PUBLICATION  
 © COPYRIGHT - By - ALL RIGHTS RESERVED.

LOC	DIST	REVISIONS					
AF	50	P	LTR	DESCRIPTION	DATE	DWN	APVD
			B	REVISED PER ECR-12-013445	18OCT12	KH	PD

1 SUPPLIED IN LOOSE PIECE.



3.05-4.32 DIA [.120-.170] DIA	[#18-#14] AWG	TIN	60279-2
INSUL RANGE	WIRE SIZE	-	60279-1
		FINISH	PART NO

THIS DRAWING IS A CONTROLLED DOCUMENT.		DWN	JR RUTH	11/17/93	TE Connectivity RECEPTACLE, FASTON, 6.35 [.250] SERIES								
DIMENSIONS: mm [INCHES]		CHK	MS FEHER	11/17/93									
TOLERANCES UNLESS OTHERWISE SPECIFIED:		APVD	J GILLESPIE	11/17/93									
0 PLC ± - 1 PLC ± - 2 PLC ± 0.25 [.010] 3 PLC ± - 4 PLC ± - ANGLES ± -		PRODUCT SPEC		NAME									
MATERIAL	BRASS	FINISH	SEE TABLE	APPLICATION SPEC	114-2036	SIZE	A3	CAGE CODE	00779	DRAWING NO	C-60279	RESTRICTED TO	-
CUSTOMER DRAWING						SCALE	4:1	SHEET	1 OF 1	REV	B		

# Mouser Electronics

Authorized Distributor

Click to View Pricing, Inventory, Delivery & Lifecycle Information:

[TE Connectivity:](#)

[60279-2](#)