

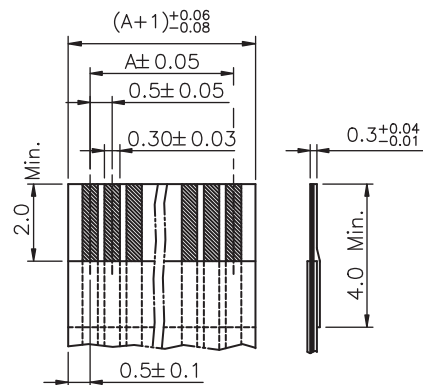
1

2

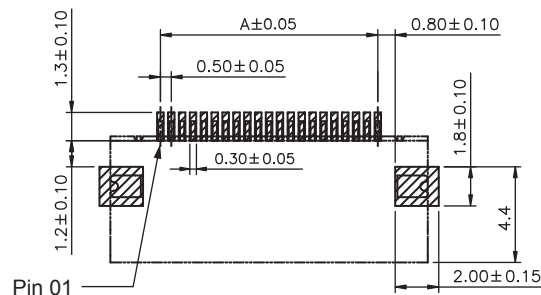
3

4

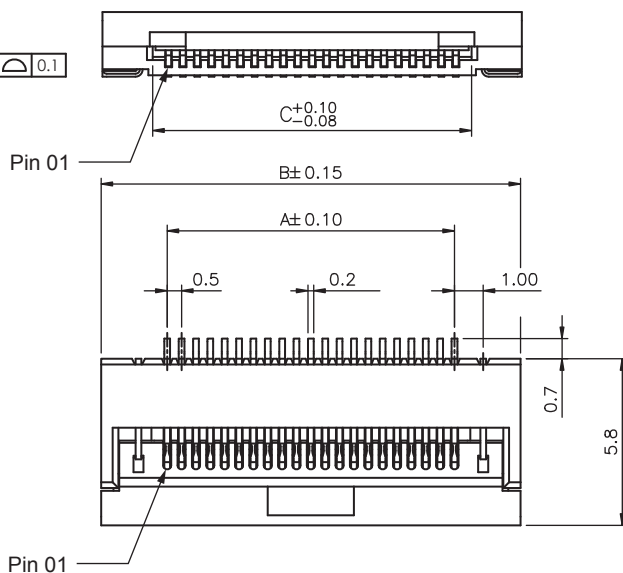
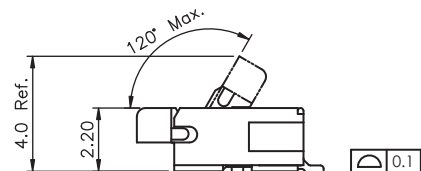
5



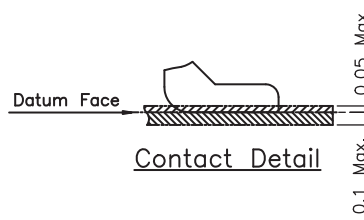
ACCOMODATED FFC/FPC



PCB LAYOUT - COMPONENT VIEW



DIM.A = 0.50 x No. of Spaces  
 DIM.B = DIM.A + 4.6  
 DIM.C = DIM.A + 1.1



TECHNICAL CHARACTERISTICS

MATERIAL  
 INSULATOR: PA 6T  
 FLAMABILITY RATING: UL94-V0  
 COLOUR: IVORY  
 ACTUATOR: PA 6T  
 COLOUR: BLACK  
 CONTACT MATERIAL: PHOSPHOR BRONZE  
 CONTACT PLATING: 120µ" TIN OVER 50µ" NICKEL  
 QUALITY CLASS: 20 MATING CYLCES  
 PITCH: 0.50mm

ENVIRONMENTAL  
 OPERATING TEMPERATURE: -40°C UP TO +105°C  
 COMPLIANCE: LEAD FREE AND ROHS

ELECTRICAL  
 CURRENT RATING: 0.5A  
 WORKING VOLTAGE: 50V AC/DC  
 INSULATION RESISTANCE: >500 MΩ  
 WITHSTANDING VOLTAGE: 150 VAC/min  
 CONTACT RESISTANCE: 50 mΩ max

STANDARD  
 CERTIFIED: E323964

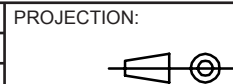
SOLDERING  
 JEDEC LEAD FREE REFLOW SOLDERING PROCESS

PACKAGING  
 TAPE & REEL

AVAILABLE IN  
 6-8-10-12-14-16-17-18-20-22-24-26-28-  
 30-32-33-34-35-40-44-45-50

RoHS Compliant

G			
F			
E			
D	03-AUG-16	TOLERANCE	AK
C	01-DEC-15	PUNNING	AK
B	07-OCT-15	LAYOUT	AK
A	20-OCT-14	PDF	AS
REV	DATE	FILE	BY



APPROVAL: GMo

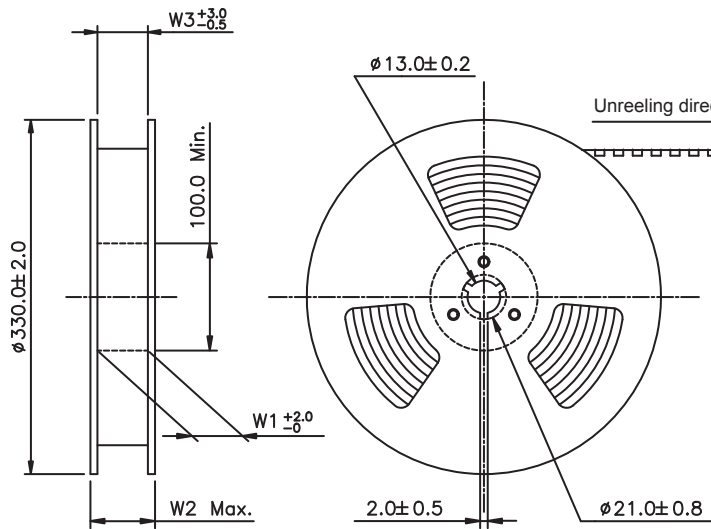
GENERAL TOLERANCE

.X = +/- 0.15  
 .XX = +/- 0.10



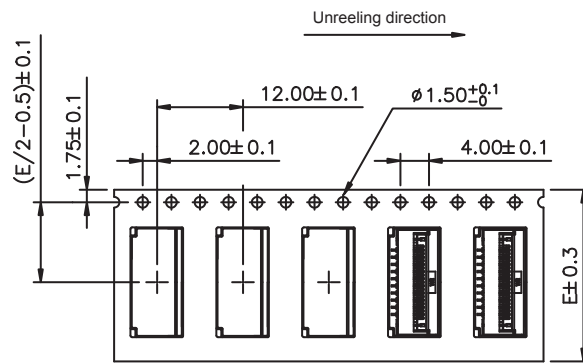
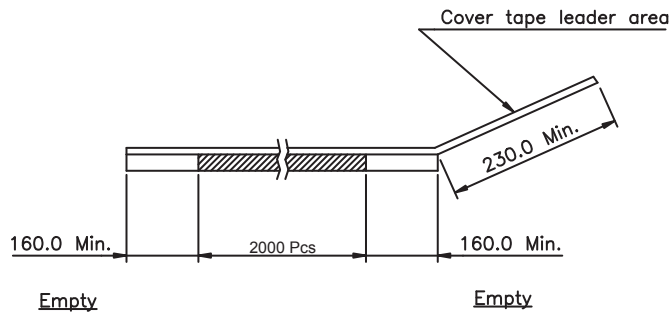
DESCRIPTION: WR-FPC -SMT ZIF HORIZONTAL - BOTTOM CONTACT, 0.50MM HINGE TYPE  
 WERI PART NO: 687 1xx 149 022

SIZE  
**A4**

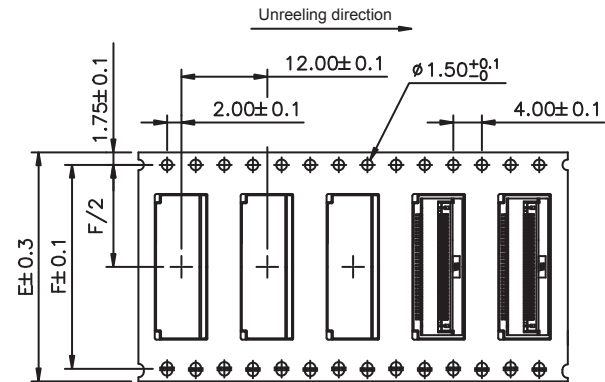


2000 Pcs/Reel

Circuits(0.5mm Pitch)	Dimension					Packing (Reel/Caton)
	E	F	W1	W2	W3	
5-9	16.0	—	16.5	22.5	16.5	11
10-25	24.0	—	24.5	30.5	24.5	9
26-34	32.0	28.40	32.5	38.5	32.5	7
35-55	44.0	40.40	44.5	50.5	44.5	5
56-65	56.0	52.50	56.5	62.5	56.5	4

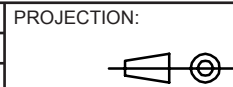


WIDTH : 16.24 mm Carrier



WIDTH : 32.44,56 mm Carrier

RoHS Compliant			
G			
F			
E			
D			
C			
B			
A	20-OCT-14	PDF	AS
REV	DATE	FILE	BY



APPROVAL: GM

GENERAL TOLERANCE

.X = +/- 0.15

.XX = +/- 0.10



WÜRTH ELEKTRONIK

DESCRIPTION: WR-FPC - SMT ZIF HORIZONTAL - BOTTOM CONTACT, 0.50MM HINGE TYPE -

WERI PART NO: 687 1xx 149 022

A4

1

2

3

4

5

## Cautions and Warnings:

This electronic component is designed and developed with the intention for use in general electronics equipments.

Before incorporating the components into any equipments in the field such as aerospace, aviation, nuclear control, submarine, transportation, (automotive control, train control, ship control), transportation signal, disaster prevention, medical, public information network etc. where higher safety and reliability are especially required or if there is possibility of direct damage or injury to human body, Würth Elektronik must be asked for a written approval.

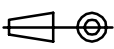

In addition, even electronic component in general electronic equipments, when used in electrical circuits that require high safety, reliability functions or performance, the sufficient reliability evaluation-check for the safety must be performed before by the user before usage.

A

B

C

RoHS Compliant

G				PROJECTION: 	GENERAL TOLERANCE .X = +/- 0.2 .XX = +/- 0.15	 <b>WÜRTH ELEKTRONIK</b>	
F							
E							
D							
C				APPROVAL: JC	UNIT: MM	DESCRIPTION: DISCLAIMER	SIZE <b>A4</b>
B					SCALE:		
A	10-SEP-14	PDF	QL		SHEET: 3/3	WERI PART NO: DISCLAIMER	
REV	DATE	FILE	BY		DRAW: QL		

D

# Mouser Electronics

Authorized Distributor

Click to View Pricing, Inventory, Delivery & Lifecycle Information:

## [Würth Electronics:](#)

[687120149022](#) [687110149022](#) [687126149022](#) [687140149022](#) [687116149022](#) [687144149022](#) [687122149022](#)  
[687132149022](#) [687145149022](#) [687118149022](#) [687108149022](#) [687114149022](#) [687133149022](#) [687135149022](#)  
[687128149022](#) [687112149022](#) [687150149022](#) [687117149022](#) [687130149022](#) [687134149022](#) [687106149022](#)  
[687124149022](#)