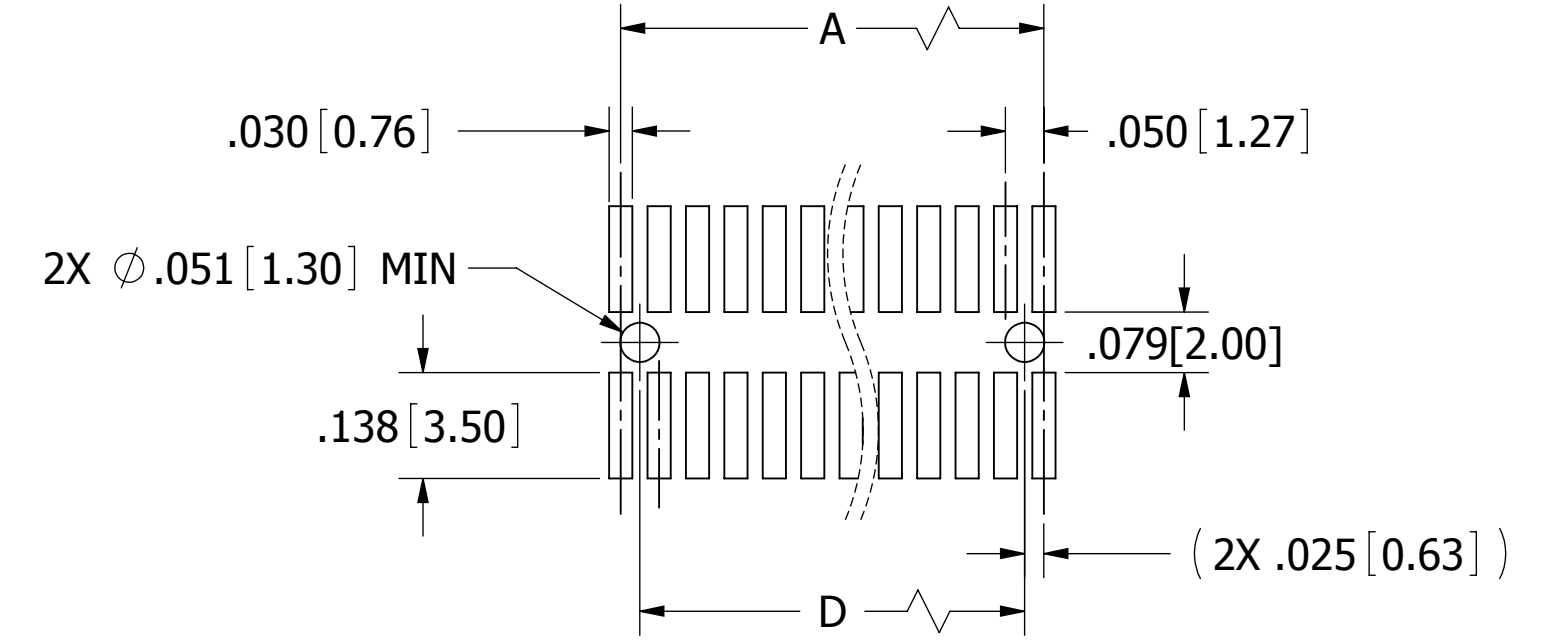
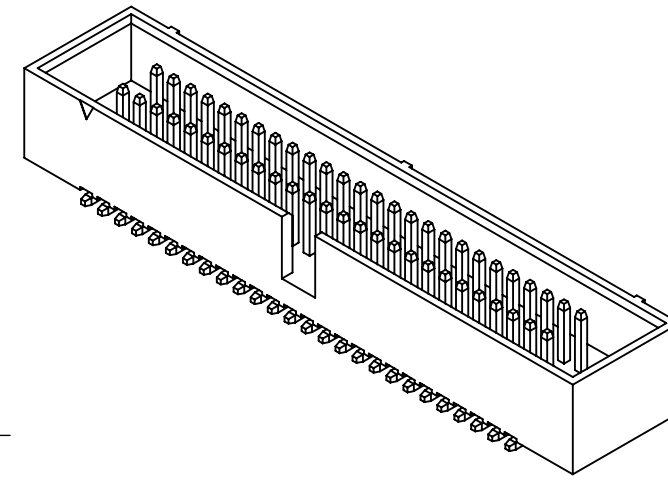
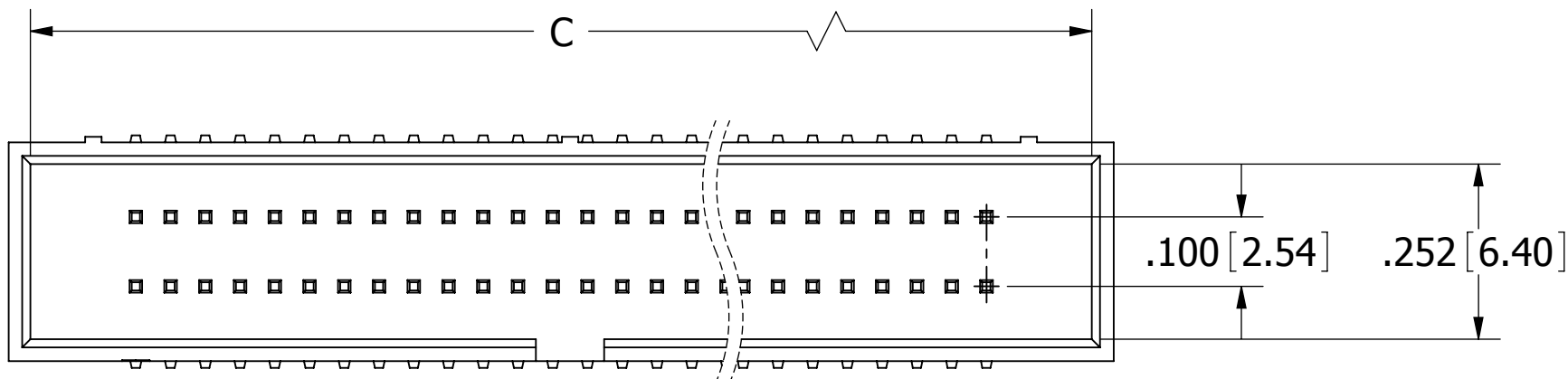


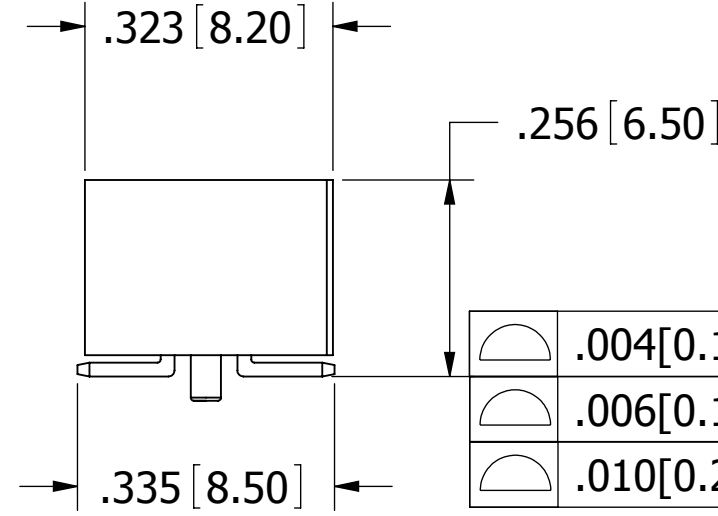
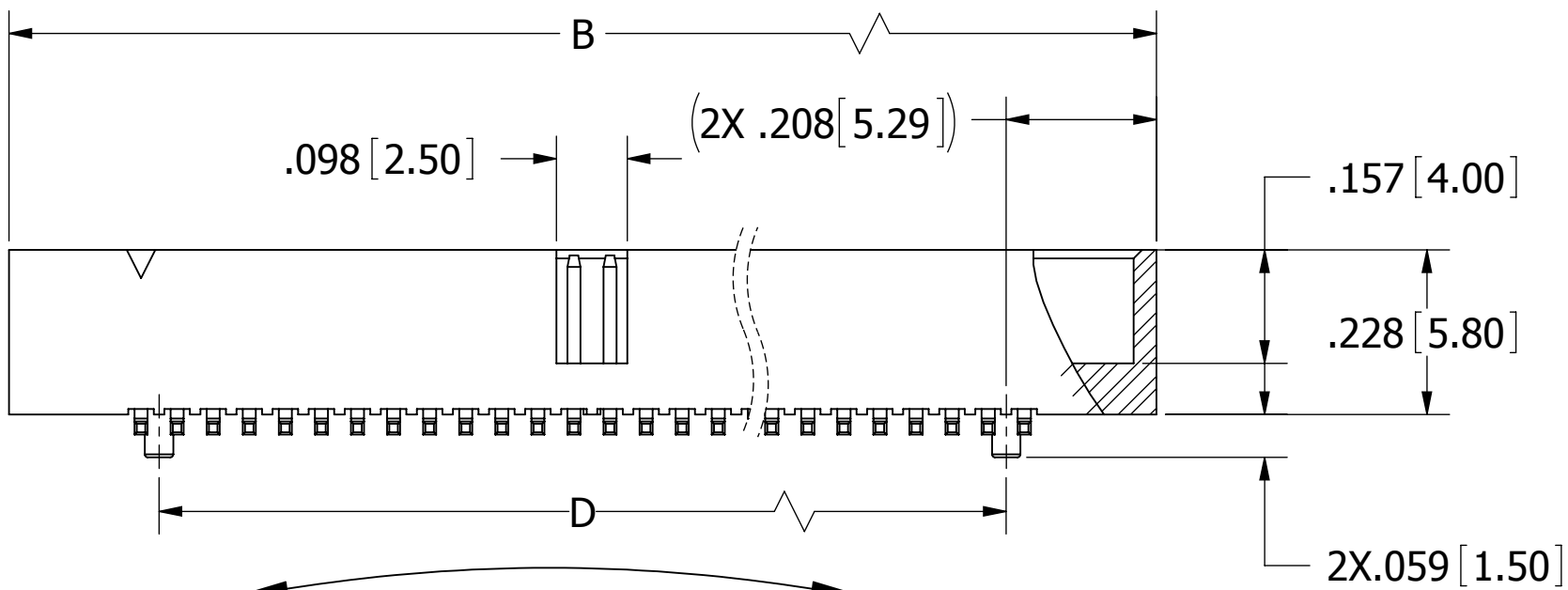
**PART NUMBER CODING**  
**SBH41-NBPB-D\_\_-SP-BK**

**NUMBER OF POSITIONS**  
 (CONTACTS PER ROW)

REVISIONS				
REV.	ECO. NO	DESCRIPTION	DATE	BY
D	2086	ADD BOX INSIDE DEPTH 4mm & ROW SPACING 2.54mm, ADD MATED COMPONENTS & HEIGHT ON SHEET 2, UPDATE AVAILABLE POSITION NUMBERS, CORRECT DIM D IN THE TABLE	02/11/2010	LH
E	2835	UPGRADE INSULATOR MATERIAL NYLON 9T(WAS NYLON 6T), ADD WARP TOLERANCE	04/07/2014	LH
F	3219	UPDATE INSULATOR COLOR OPTIONS	05/12/2015	LH
H	3467	UPDATE RECOMMENDED PCB LAYOUT GUIDE PIN HOLE TO 1.30mm (WAS 1.00mm)	6/8/2016	MG

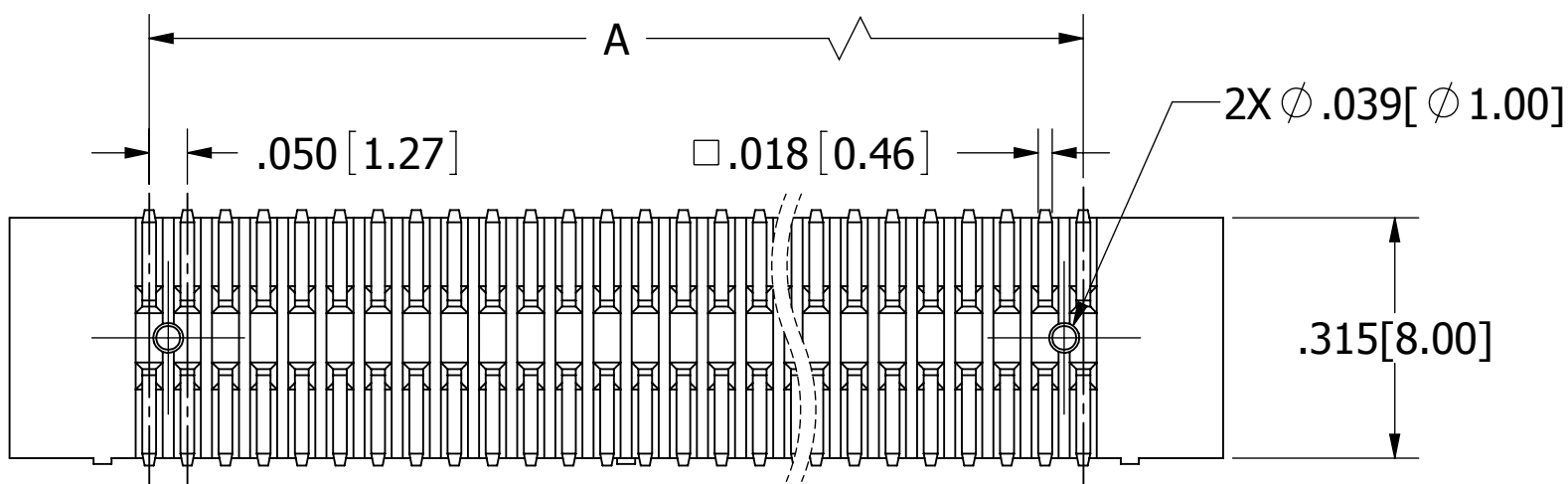


**RECOMMENDED PCB LAYOUT**



	.004[0.10]	05-25 POSITIONS
	.006[0.15]	30-34 POSITIONS
	.010[0.25]	40-50 POSITIONS

05 - 20, 0.20mm MAX.  
 25 - 30, 0.30mm MAX.  
 34 - 50, 0.40mm MAX.



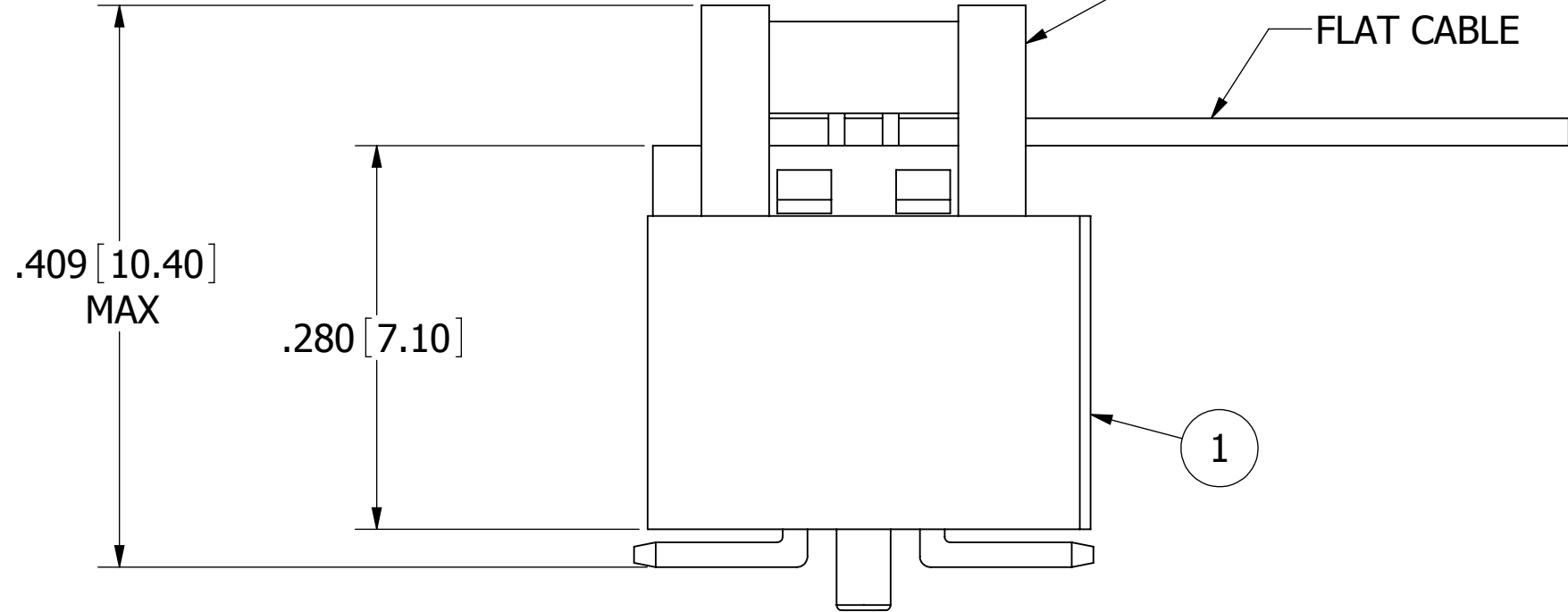
PART NUMBER	POSITIONS/ CONTACTS	A		B		C		D	
		INCH	MM	INCH	MM	INCH	MM	INCH	MM
SBH41-NBPB-D05-SP-BK	05/10	0.200	5.08	0.566	14.38	0.503	12.78	0.150	3.81
SBH41-NBPB-D07-SP-BK	07/14	0.300	7.62	0.666	16.92	0.603	15.32	0.250	6.35
SBH41-NBPB-D08-SP-BK	08/16	0.350	8.89	0.716	18.19	0.653	16.59	0.300	7.62
SBH41-NBPB-D10-SP-BK	10/20	0.450	11.43	0.816	20.73	0.753	19.13	0.400	10.16
SBH41-NBPB-D13-SP-BK	13/26	0.600	15.24	0.966	24.54	0.903	22.94	0.550	13.97
SBH41-NBPB-D15-SP-BK	15/30	0.700	17.78	1.066	27.08	1.003	25.48	0.650	16.51
SBH41-NBPB-D17-SP-BK	17/34	0.800	20.32	1.166	29.62	1.103	28.02	0.750	19.05
SBH41-NBPB-D20-SP-BK	20/40	0.950	24.13	1.316	33.43	1.253	31.83	0.900	22.86
SBH41-NBPB-D25-SP-BK	25/50	1.200	30.48	1.566	39.78	1.503	38.18	1.150	29.21
SBH41-NBPB-D30-SP-BK	30/60	1.450	36.83	1.816	46.13	1.753	44.53	1.400	35.56
SBH41-NBPB-D34-SP-BK	34/68	1.650	41.91	2.016	51.21	1.953	49.61	1.600	40.64
SBH41-NBPB-D40-SP-BK	40/80	1.950	49.53	2.316	58.83	2.253	57.23	1.900	48.26
SBH41-NBPB-D50-SP-BK	50/100	2.450	62.23	2.816	71.53	2.753	69.93	2.400	60.96

- NOTES:**
- INSULATOR MATERIAL: NYLON 9T, UL 94V-0, BLACK
  - CONTACT MATERIAL: BRASS
  - CONTACT PLATING: .000030"~.000050" NICKEL UNDERPLATE, GOLD FLASH OVERALL
  - CURRENT RATING: 1 AMP
  - INSULATOR RESISTANCE: 5,000 MEGOHMS MIN.
  - CONTACT RESISTANCE: 20 MILLIOHMS MAX.
  - DIELECTRIC WITHSTANDING: 500 VAC
  - OPERATING TEMPERATURE: -40°C TO + 105°C
  - \*PROCESSING TEMP.: 230°C MAX FOR 60 SECONDS (260°C MAX FOR 10 SECONDS)
  - MATES WITH SFH41 & SFH413 IDC SOCKET SERIES

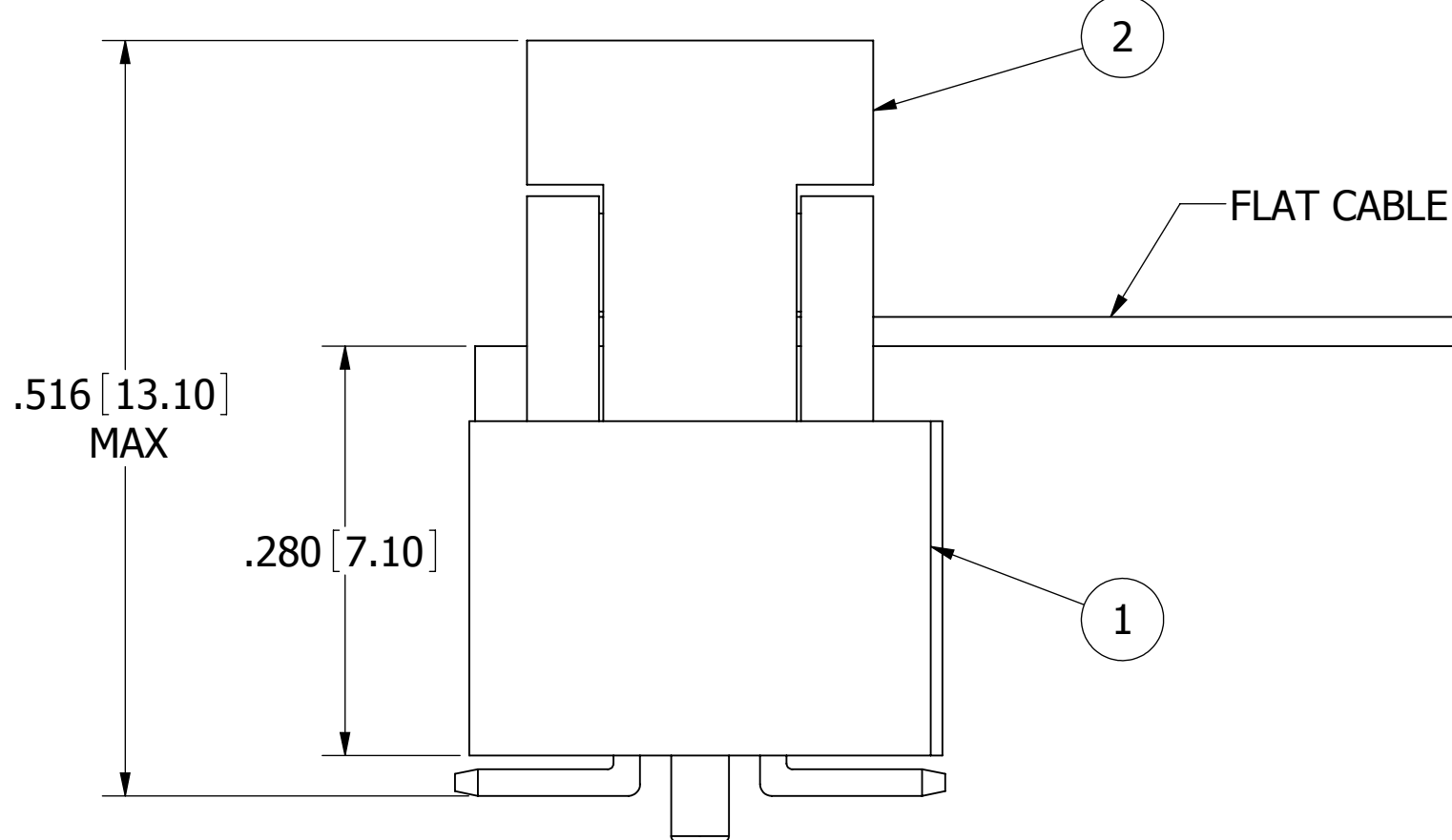


RoHS COMPLIANT

UNLESS OTHERWISE SPECIFIED: DIMENSIONS ARE IN INCHES [MM]	DRAWN	DATE	NAME	
		06/03/2008	VJ	
TOLERANCES:	THE INFORMATION HEREIN CONTAINS PROPRIETARY INFORMATION OF SULLINS ELECTRONICS AND IS NOT TO BE REPRODUCED, USED OR DISCLOSED TO OTHERS FOR ANY PURPOSE EXCEPT AS SPECIFICALLY AUTHORIZED IN WRITING BY AN OFFICER OF SULLINS ELECTRONICS.			TITLE
ANGULAR:				BOX HEADER, .050[1.27] CC, .100[2.54] RS
DECIMALS				PART NUMBER
.XX= ± .012 [ .3]				SBH41-NBPB-D__-SP-BK
.XXX= ± .008 [ .20]				SIZE
.XXXX= ± .0040 [ .100]				C
				CAGE CODE
				54453
				DWG. NO.
				11107
				REV
				H
				SCALE: 4:1
				SHEET 1 OF 2



ITEM 1	SBH41-NBPB-D__-SP-BK
ITEM 2 (MATE)	SFH41-PP_B-D__-ID-BK



ITEM 1	SBH41-NBPB-D__-SP-BK
ITEM 2 (MATE)	SFH413-PP_B-D__-ID-BK



UNLESS OTHERWISE SPECIFIED: DIMENSIONS ARE IN INCHES [MM]		DRAWN	DATE	NAME	
TOLERANCES: ANGULAR: DECIMALS .XX= ± .012 [.31] .XXX= ± .008 [.20] .XXXX= ± .0040 [.100]			06/03/2008	VJ	
THE INFORMATION HEREIN CONTAINS PROPRIETARY INFORMATION OF SULLINS ELECTRONICS AND IS NOT TO BE REPRODUCED, USED OR DISCLOSED TO OTHERS FOR ANY PURPOSE EXCEPT AS SPECIFICALLY AUTHORIZED IN WRITING BY AN OFFICER OF SULLINS ELECTRONICS.					TITLE BOX HEADER, .050[1.27] CC, .100[2.54] RS PART NUMBER SBH41-NBPB-D__-SP-BK
SIZE	CAGE CODE	DWG. NO.		REV	
C	54453	11107		H	
SCALE: 4:1				SHEET 2 OF 2	