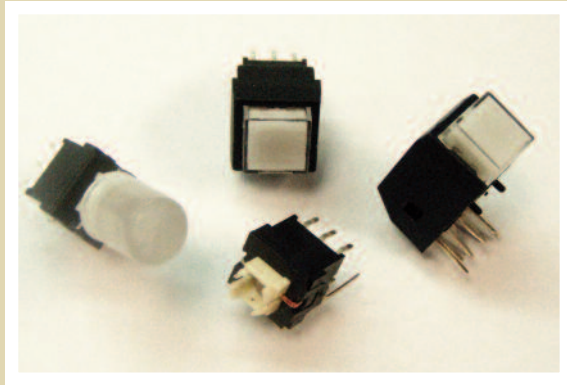


SERIES LP4 SWITCHES

ILLUMINATED PUSHBUTTON SWITCH



MECHANICAL SPECIFICATIONS

| | |
|------------------|--|
| Mechanical Life: | 50,000 cycles |
| Force: | 250 ± 100 grams |
| Travel: | 1.0mm ± 0.3mm LOCK; 1.5mm ± 0.3mm FULL |

ELECTRICAL SPECIFICATIONS

| | |
|------------------------------------|---------------------------|
| Contact Rating: | 30VDC, 0.1A |
| Contact Resistance (Initial Max.): | 50milliohms max. |
| Insulation Resistance (min.@500V): | 100megaohms min. @ 500VDC |
| Dielectric Strength (1 Min.): | 500VAC |

FEATURES & BENEFITS

- Latching and momentary options
- Illuminated
- Right angle and vertical mount options
- Multiple bezel and button designs

APPLICATIONS / MARKETS

- Telecommunications
- Consumer Electronics
- Audio/visual
- Medical
- Testing/instrumentation
- Computer/servers/peripherals

ENVIRONMENTAL SPECIFICATIONS

| | |
|------------------------|----------------|
| Operating Temperature: | -20°C to +70°C |
|------------------------|----------------|

HOW TO ORDER

| SERIES | FUNCTION STYLE | CIRCUIT | TERMINATION | HOUSING COLOR | CAP SIZE | CAP COLOR | LED COLOR OPTIONS |
|--------|---------------------------------|----------|--|------------------------------------|--|---|---|
| LP4 | OA = Momentary EE = Latching | 1 = DPDT | P = Vertical PCB Mount R = Right Angle PCB Mount* | B = Black W = White G = Gray | N = No Cap A = Square w/ Bezel B = Round w/ Bezel C = Round w/o Bezel | N = No Cap T = Transparent G = Green R = Red Y = Yellow B = Blue | N = No LED R = Red G = Green Y = Yellow B = Blue W = White |

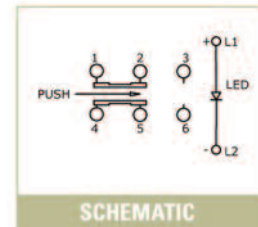
* Right angle only available in a square cap with bezel.

Example Ordering Number

LP4-OA-1-P-B-A-T-R

Specifications subject to change without notice.

| LED SPECIFICATIONS | | | | | |
|----------------------|------------|------------|------------|------------|------------|
| | Blue | Red | Green | Yellow | White |
| Forward Current (mA) | 5mA | 20mA | 20mA | 20mA | 20mA |
| Forward Voltage@20mA | 2.9-4.0VDC | 1.9-2.5VDC | 2.1-2.5VDC | 1.7-2.4VDC | 3.5-4.0VDC |
| Luminous Intensity | 9 mcd@5mA | 200 mcd | 45 mcd | 350 mcd | 2700 mcd |



SERIES LP4 SWITCHES

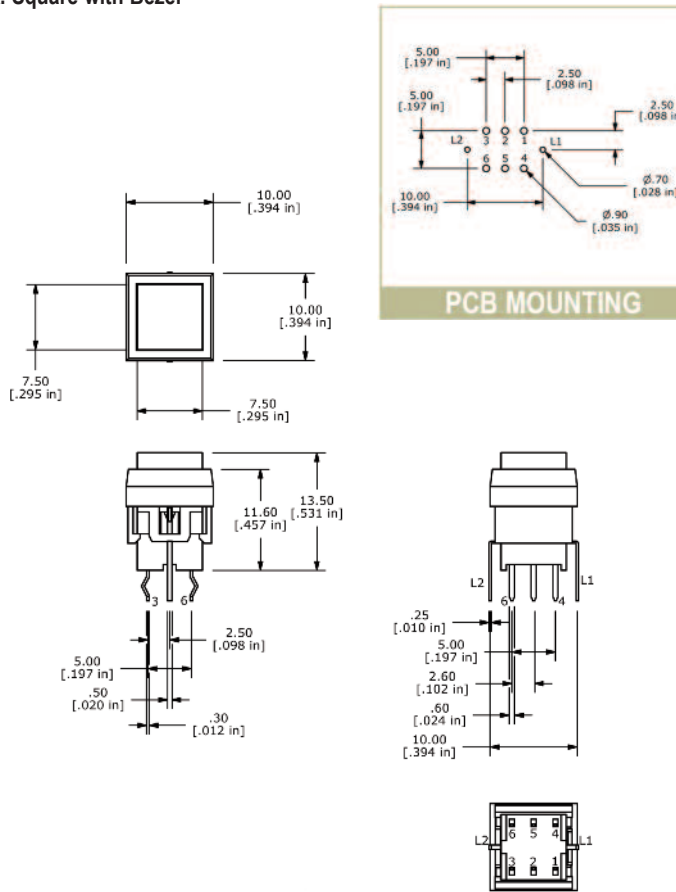
ILLUMINATED PUSHBUTTON SWITCH



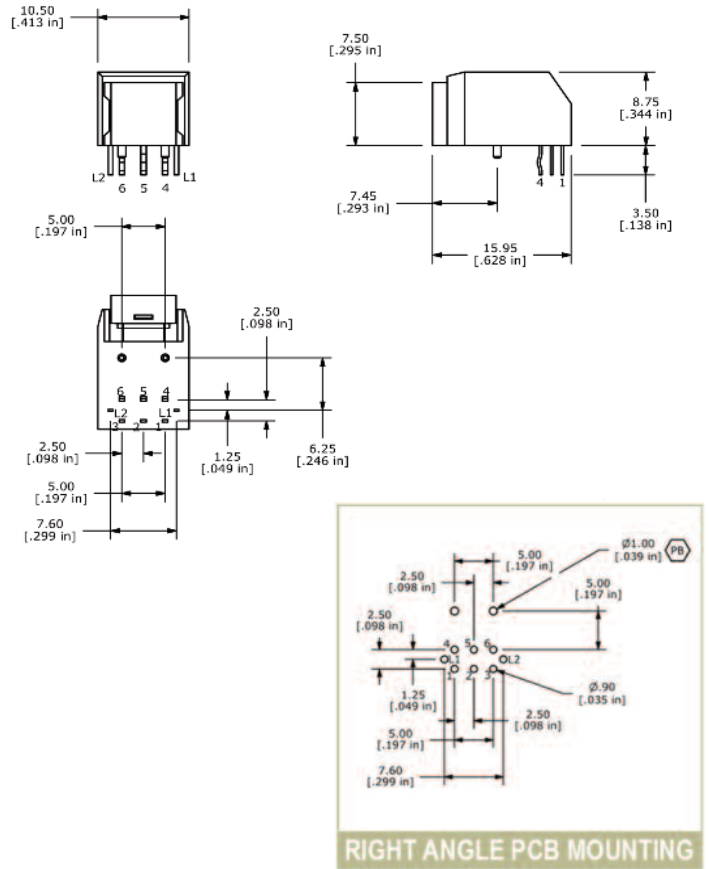
E-SWITCH™

CAP OPTIONS

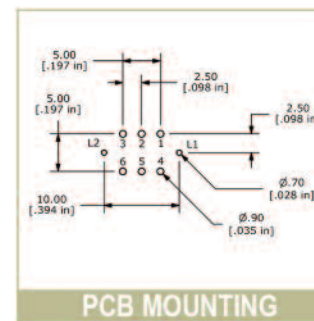
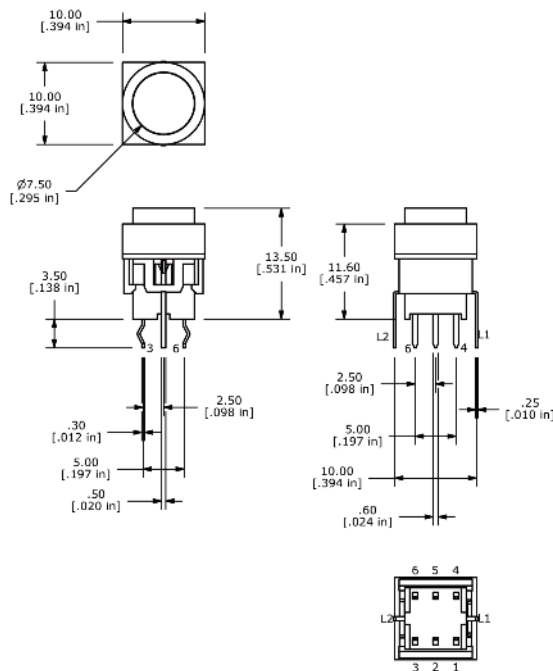
A. Square with Bezel



A. Square with Bezel - Right Angle



B. Round with Bezel



SERIES LP4 SWITCHES

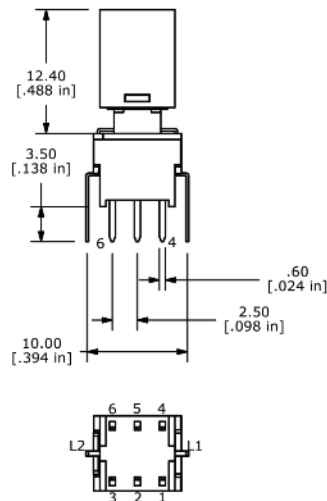
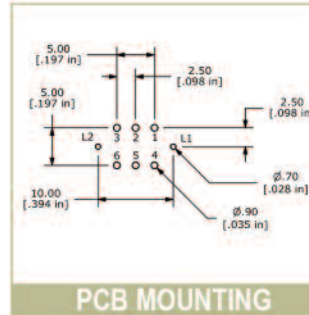
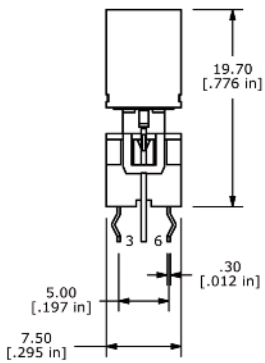
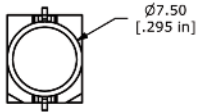
ILLUMINATED PUSHBUTTON SWITCH



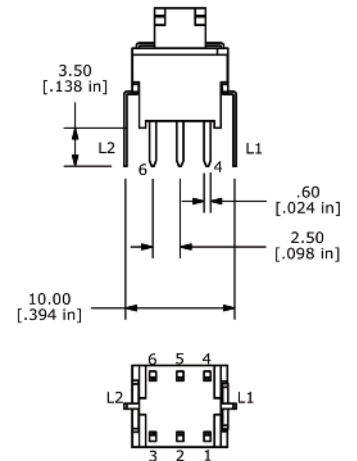
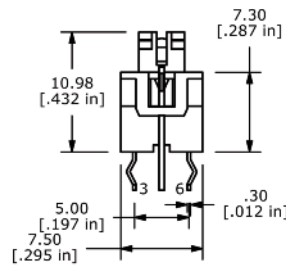
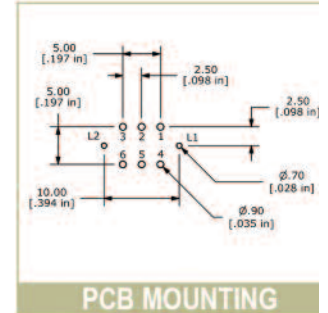
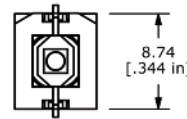
E-SWITCH™

CAP OPTIONS (CONT.)

C. Round without Bezel



N. No Cap



Mouser Electronics

Authorized Distributor

Click to View Pricing, Inventory, Delivery & Lifecycle Information:

E-Switch:

[LP4EE1PBATR](#) [LP4OA1PBBTR](#) [LP4OA1PBCTR](#) [LP4EE1RBATR](#) [LP4EE1PBBBN](#) [LP4EE1PBCTY](#)
[LP4OA1PBABN](#) [LP4OA1PBAGN](#) [LP4OA1PBATN](#) [LP4OA1RBATB](#) [LP4OA1RBATW](#) [LP4OA1RBATY](#)
[LP4EE1PBATB](#) [LP4EE1PBATG](#) [LP4EE1PBATW](#) [LP4EE1PBATY](#) [LP4EE1PBNNR](#) [LP4EE1RBATB](#) [LP4EE1RBATG](#)
[LP4EE1RBATW](#) [LP4EE1RBATY](#) [LP4OA1PBATR](#) [LP4OA1PBBTB](#) [LP4OA1PBBTG](#) [LP4OA1PBBTW](#)
[LP4OA1PBBTY](#) [LP4OA1PBCTB](#) [LP4OA1PBCTG](#) [LP4OA1PBCTW](#) [LP4OA1PBCTY](#) [LP4OA1PWATG](#)
[LP4OA1RBATR](#) [LP4EE1PBABB](#) [LP4EE1PBAGG](#) [LP4EE1PBARR](#) [LP4EE1PBAYY](#) [LP4EE1PBCTB](#) [LP4EE1PBCTR](#)
[LP4EE1PBCTG](#) [LP4EE1PGCTR](#) [LP4EE1PGBTR](#) [LP4EE1PBBTG](#) [LP4EE1PBBTR](#) [LP4EE1PWBTR](#)
[LP4EE1PBCRW](#) [LP4EE1PWBRW](#) [LP4EE1PBNGG](#) [LP4EE1PBNNN](#) [LP4EE1PBNNY](#) [LP4EE1PBNNW](#)
[LP4EE1PWBWW](#) [LP4EE1PBNNB](#)