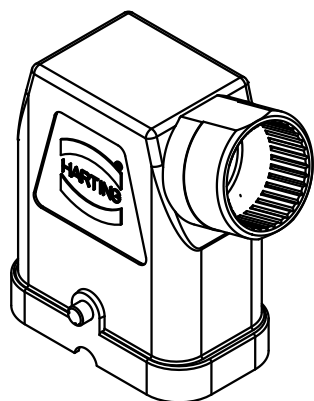
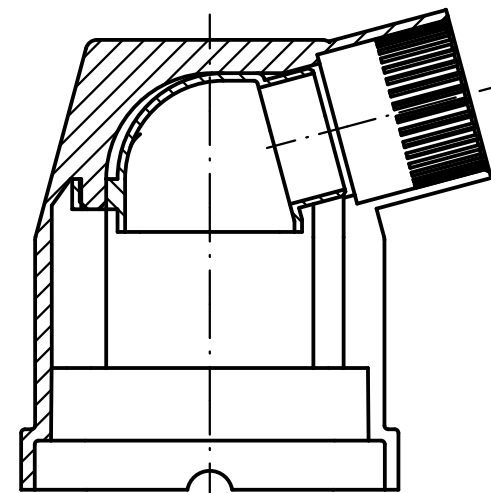


Innengehäuse montiert/  
inner housing mounted



ALL Dimensions in mm Original Size DIN A 4		Techn. Character.			Nicht tolerierte Maß/Free size tolerances	
			Dat.	Name	Maßstab/Scale <b>1:1</b>	<b>Han Compact-gs-M25</b> Tüllengehäuse-Metall-schwarzchrom hood thermoplastic-black chromated
		Detail.	06.04.10	ML		
		Insp.		Sch		
		Stand.				
A			HARTING Electric GmbH & Co. KG			<b>TB 19 12 008 0501</b>
Mod.	Dat.	Name	D-32339 Espelkamp			
Sub. f. TB 19 12 008 0501 v. 25.11.99						Blatt/ page

# Mouser Electronics

Authorized Distributor

Click to View Pricing, Inventory, Delivery & Lifecycle Information:

[HARTING:](#)

[19120080501](#)