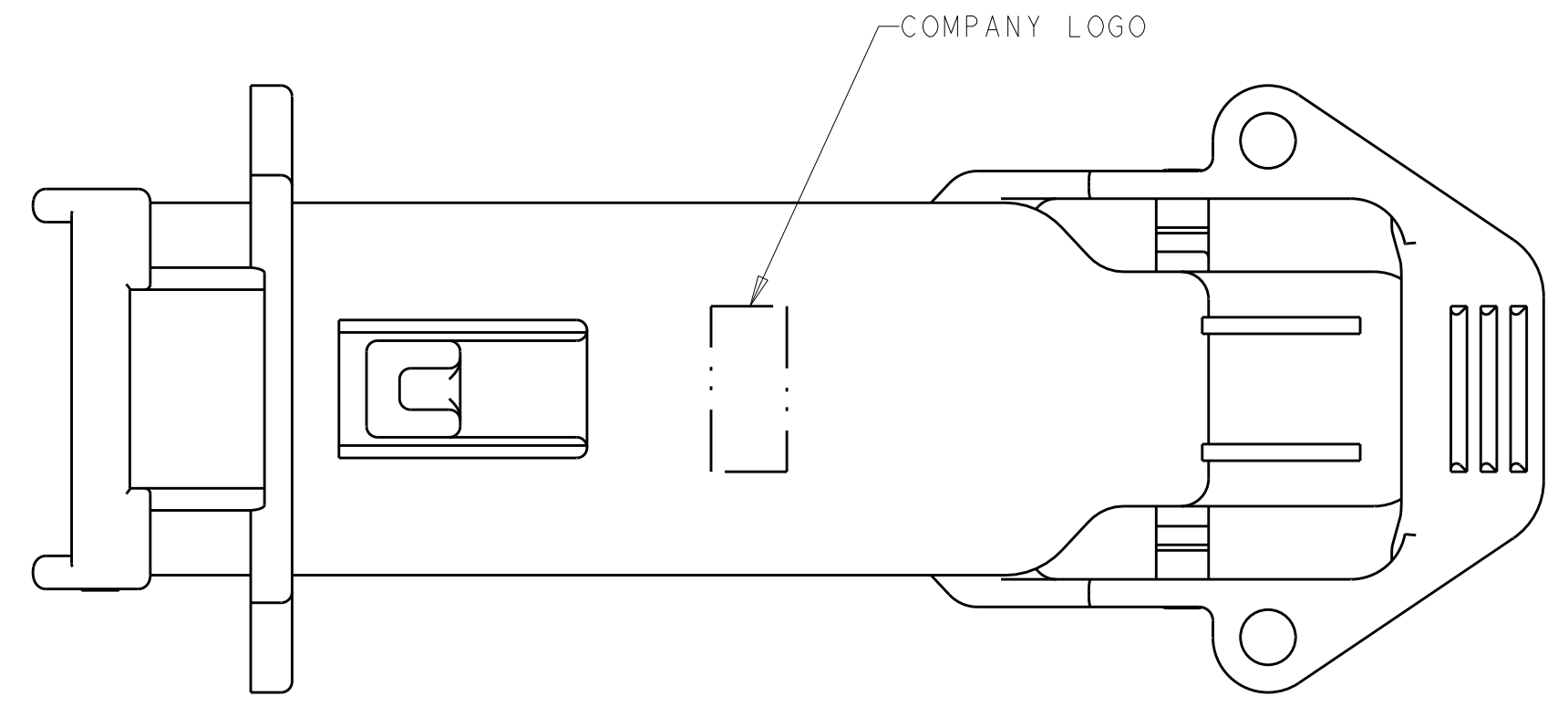


SCALE 2:1

SCALE 2:1



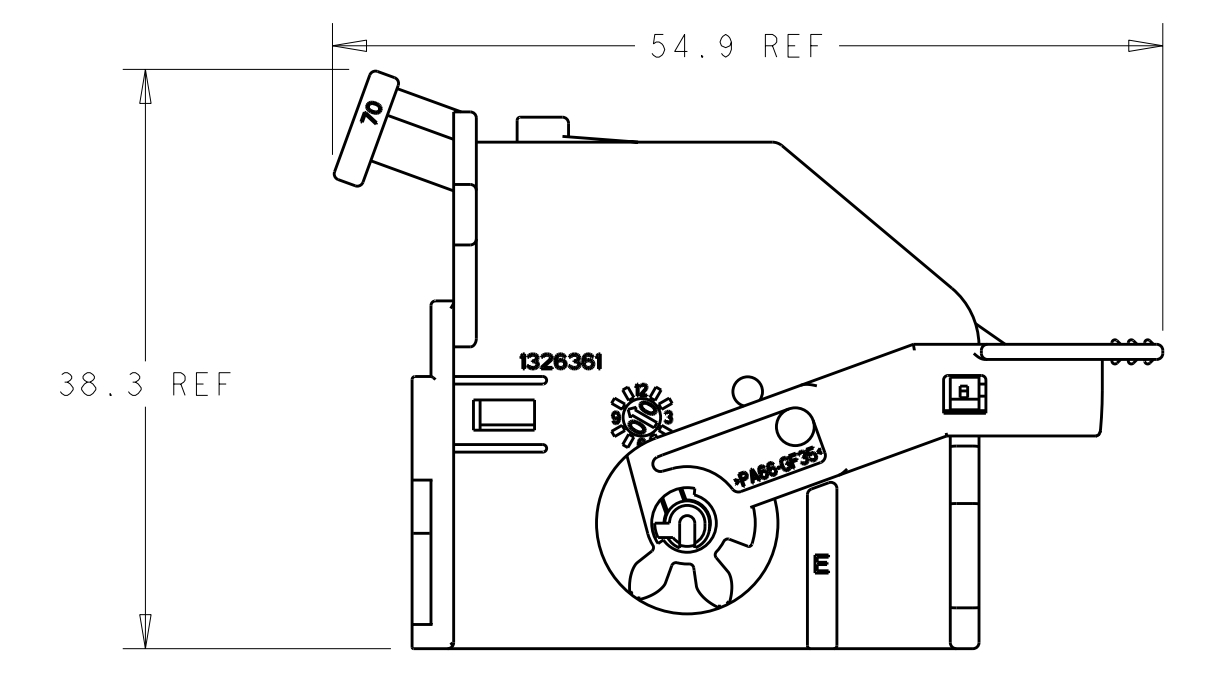
COMPANY LOGO

1. MATERIAL: SHIELD - 35% GLASS REINFORCED NYLON. SEE TABLE BELOW FOR COLOR. LEVER - 35% GLASS REINFORCED NYLON. COLOR GRAY.
2. REFERENCE: RECEPTACLE CARRIER, 1326042-1, USED WITH THIS ASSEMBLY.
3. REFERENCE: INTERFACE DETAIL PER DRAWING NO. AAUTO1000-2962-0247
4. REFER TO INSTRUCTION SHEET 408-8662 FOR PRODUCT ASSEMBLY AND DISASSEMBLY PROCEDURES.
5. REFER TO USCAR-2 REV 3 APRIL 2001 FOR PRODUCT SPECIFICATIONS.

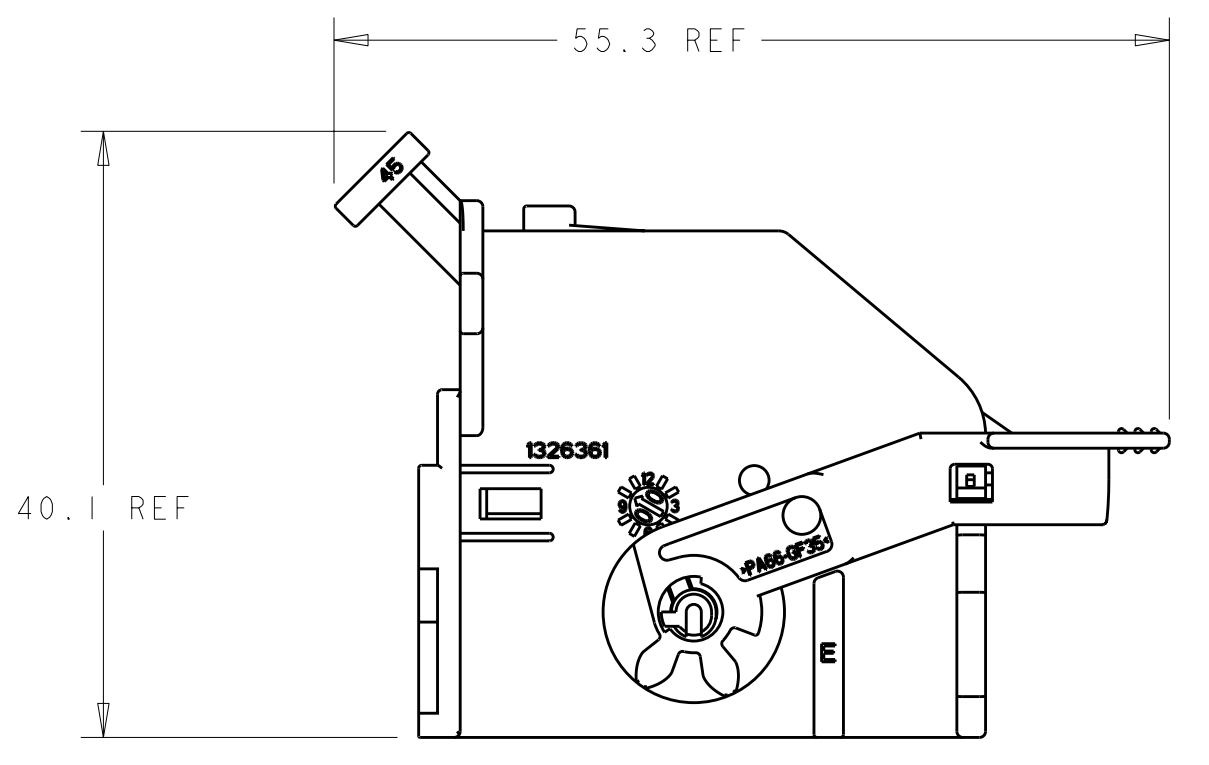
LOC	DIST	REV	DATE	BY	CHKD	APPD
FX	00					

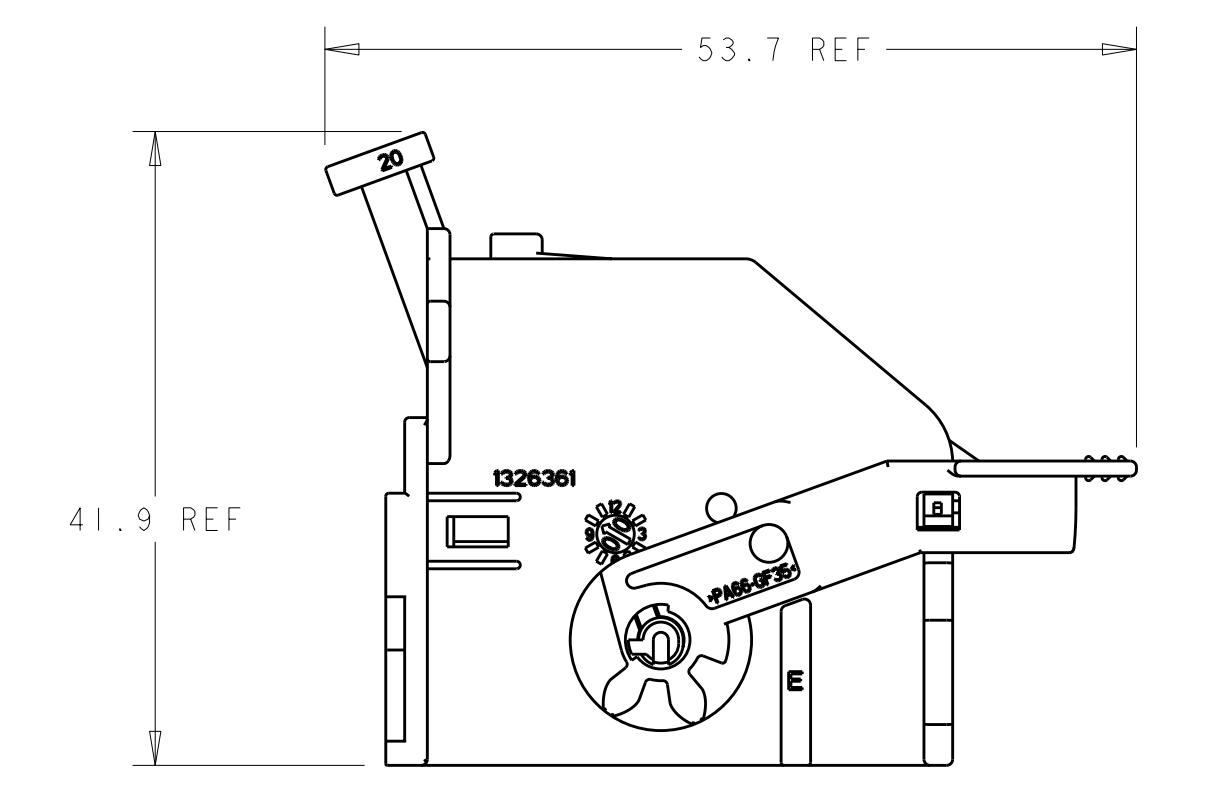
REV	DESCRIPTION	DATE	BY	CHKD	APPD
A	REVISED PER EC OK80-0281-02	01MAY2003	SPT	AME	
B	REVISED PER EC OK80-0086-04	30MAR2004	RGV	AME	
C	REVISED PER EC OK80-0196-04	14JUN2004	DLD	AME	
C1	REV PER ECR-10-011823	28MAY2010	VSS	CS	



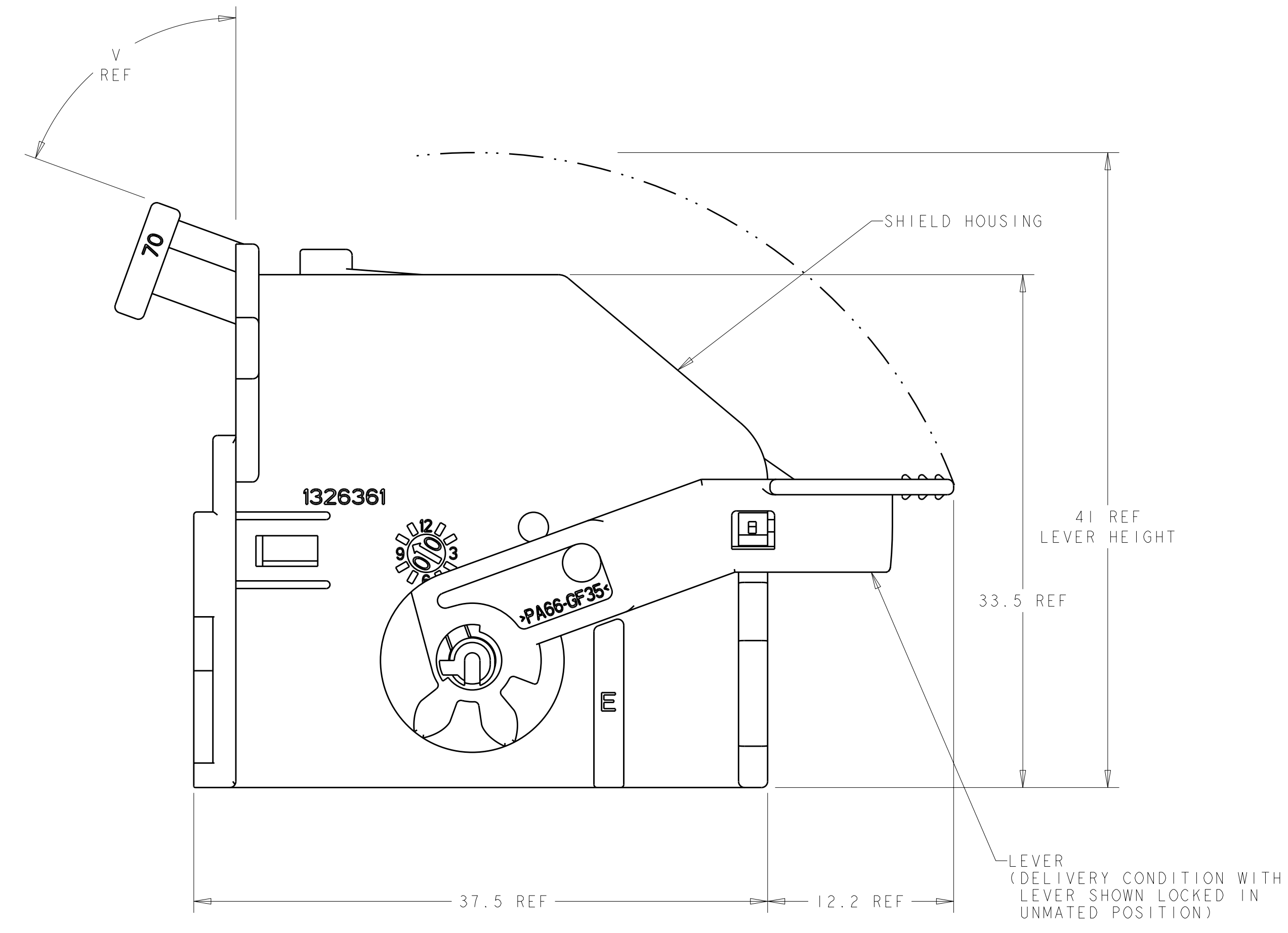
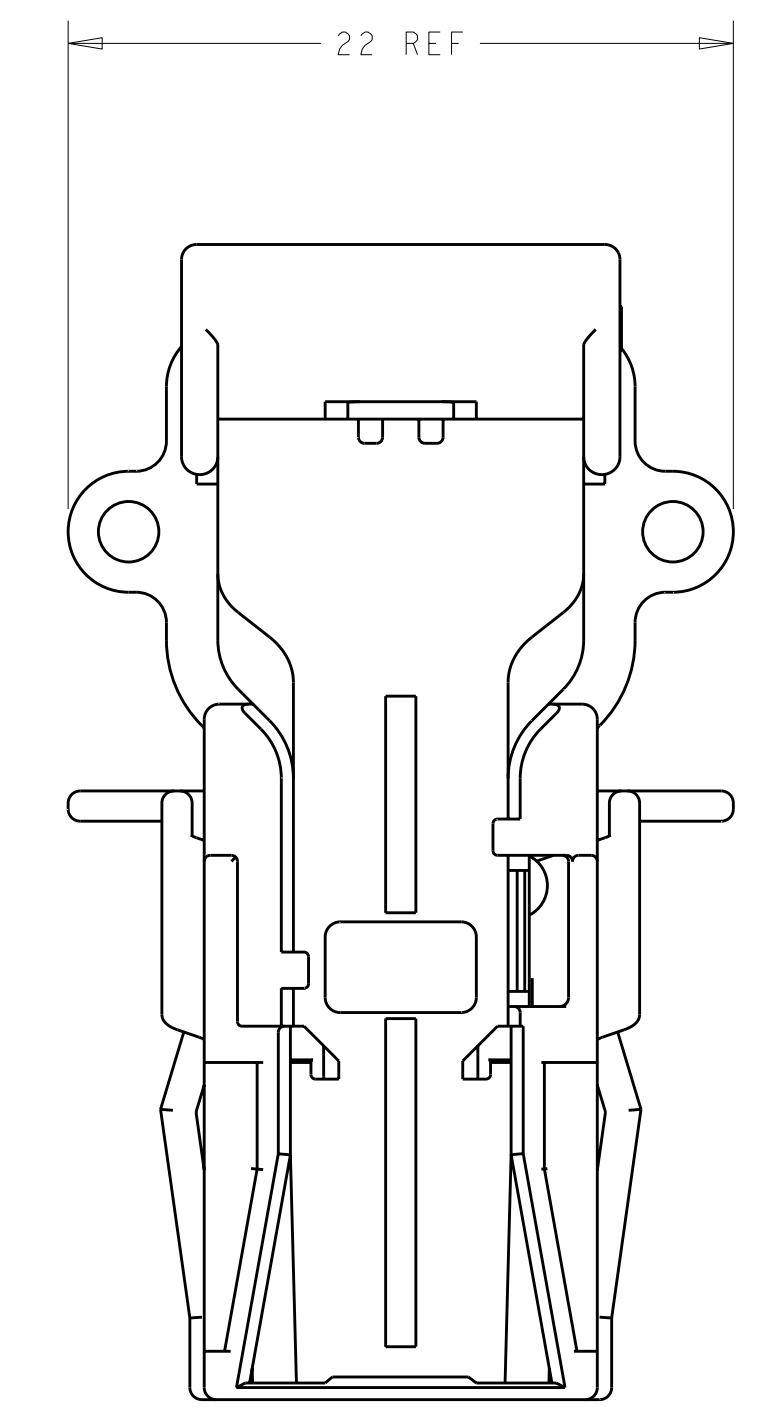
70° WIRE EXIT  
SCALE 2:1



45° WIRE EXIT  
SCALE 2:1



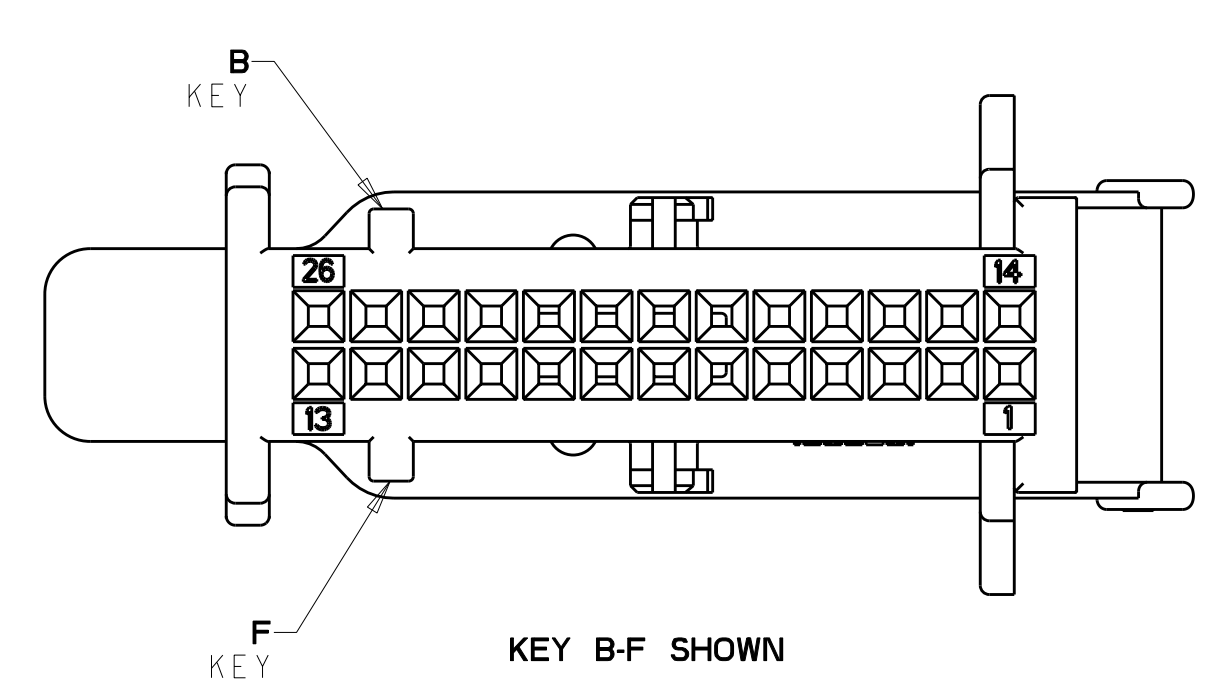
20° WIRE EXIT  
SCALE 2:1



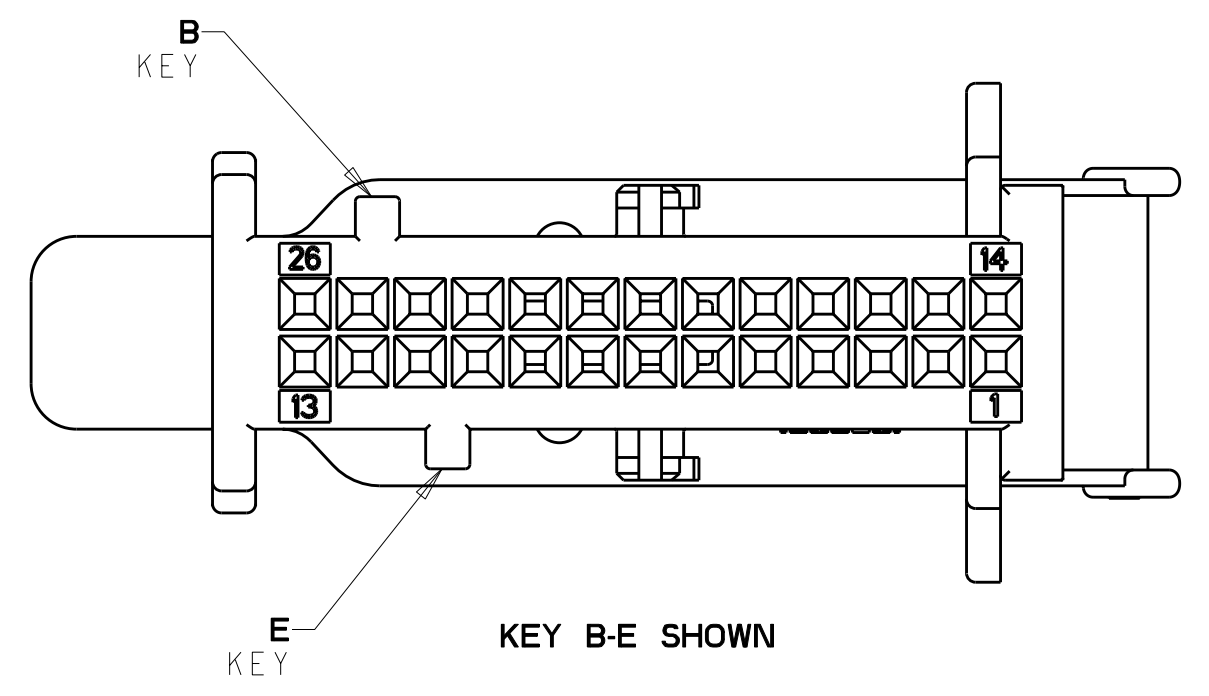
LEVER  
(DELIVERY CONDITION WITH  
LEVER SHOWN LOCKED IN  
UNMATED POSITION)

**WIRE EXIT OPTIONS  
FOR REFERENCE ONLY**

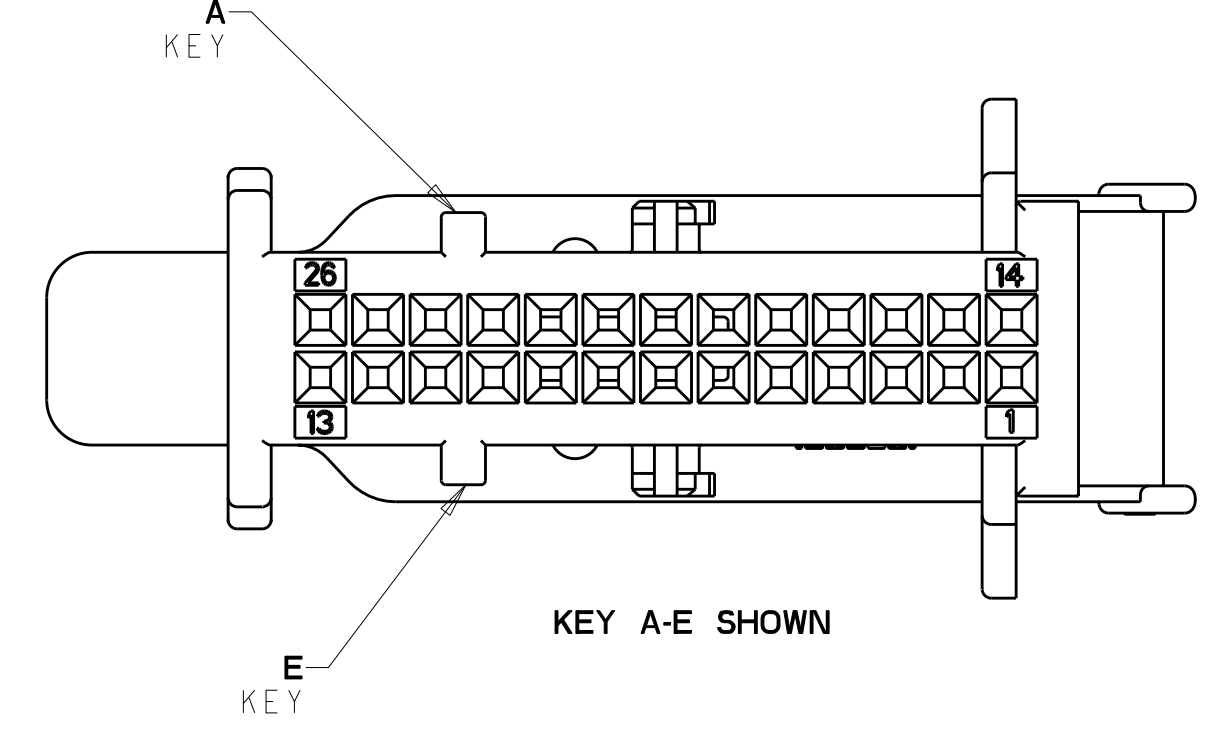
DIM V	COLOR	KEYING OPT.	PART NUMBER
20°	BLUE	B-F	1326362-9
20°	GRAY	B-E	1326362-8
20°	BLACK	A-E	1326362-7
45°	BLUE	B-F	1326362-6
45°	GRAY	B-E	1326362-5
45°	BLACK	A-E	1326362-4
70°	BLUE	B-F	1326362-3
70°	GRAY	B-E	1326362-2
70°	BLACK	A-E	1326362-1



KEY B-F SHOWN



KEY B-E SHOWN

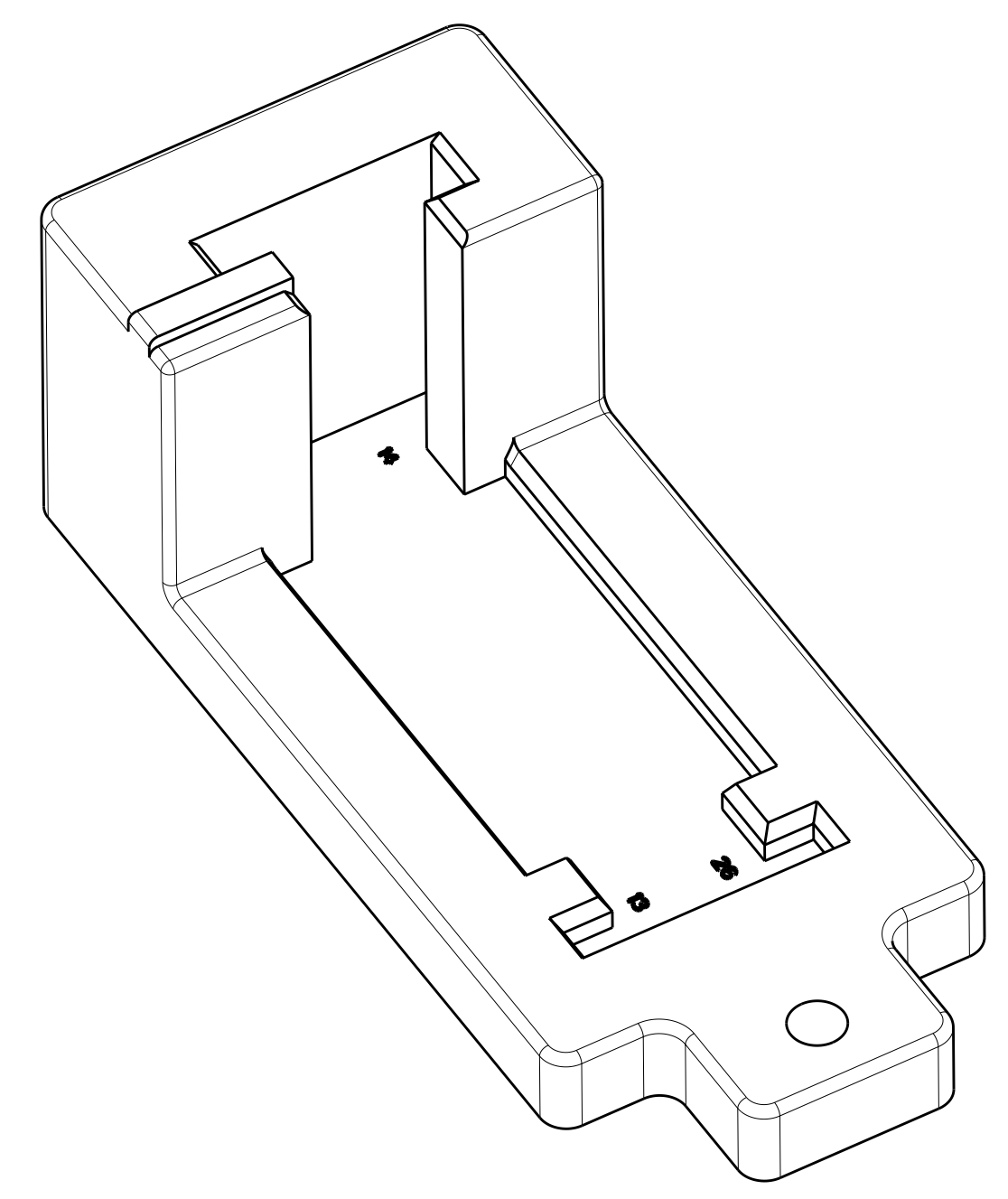
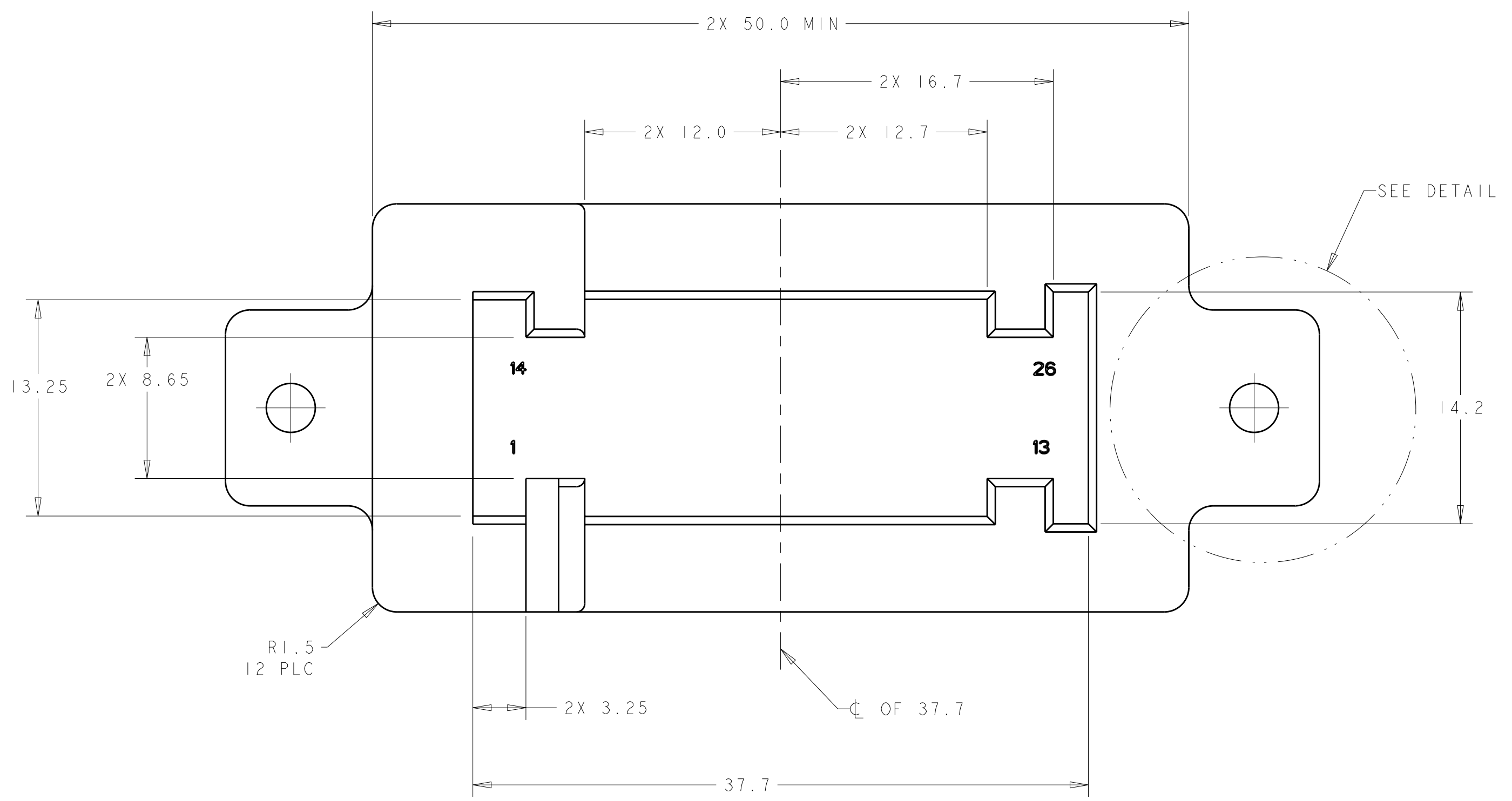


KEY A-E SHOWN

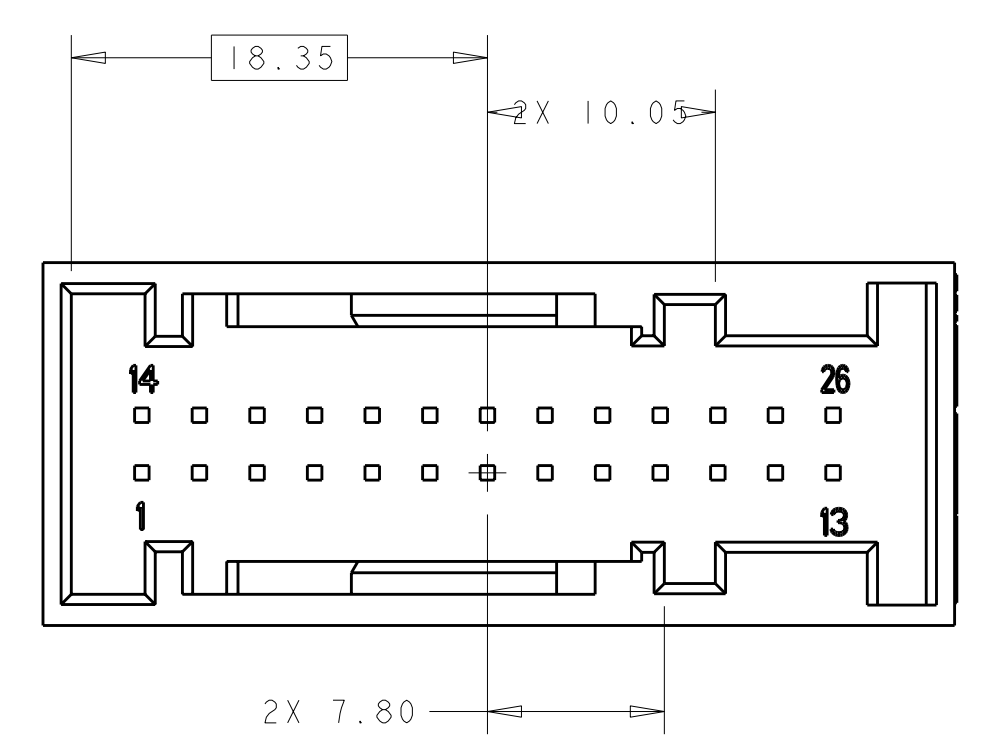
**KEYING OPTIONS  
FOR REFERENCE ONLY**

DIMENSIONS: mm		TOLERANCES UNLESS OTHERWISE SPECIFIED: 9 PLC ± 1 PLC ±0.1 5 PLC ±0.05 4 PLC ± ANGLES ± FINISH ±1*		DWN W. HOELSCHER 22FEB02 CHK S. TOBEY 22FEB02 APVD DS TOBEY 22FEB02 NAME PRODUCT SPEC APPLICATION SPEC WEIGHT CUSTOMER DRAWING		Tyco Electronics Harrisburg, PA 17105-3608 Tyco Electronics SHIELD ASSEMBLY - 0.64mm 26 POSITION, LEVER ASSISTED CONNECTOR SIZE CAGE CODE DRAWING NO. RESTRICTED TO A1 00779 C=1326362 SCALE 4:1 SHEET 1 OF 2 REV C1	
-------------------	--	---	--	---	--	--	--

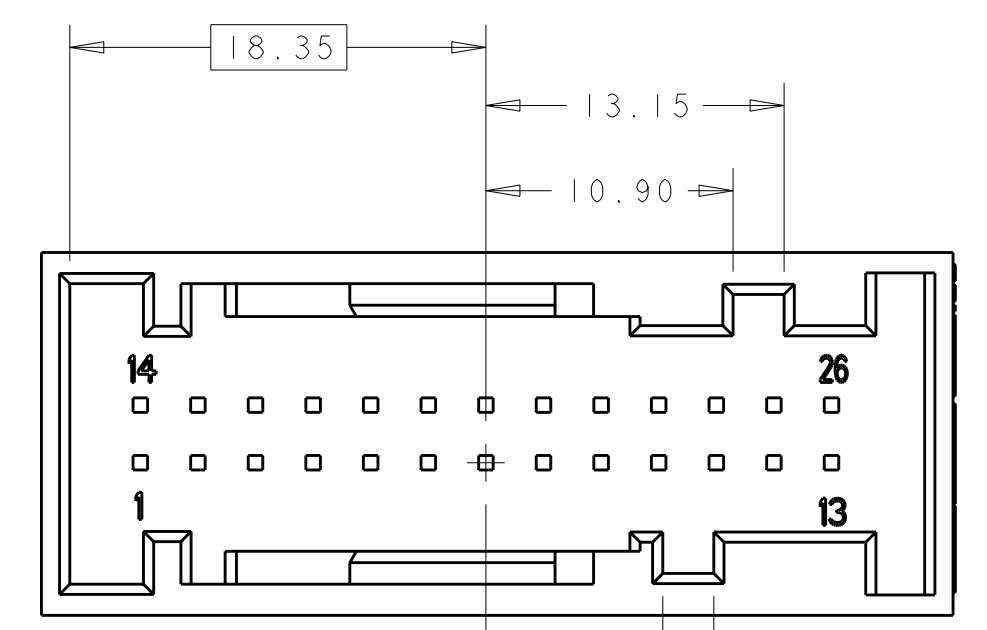
LOC	DIST	REV	DATE	BY	APPD
FX	00				
		DESCRIPTION	DATE	DWN	APPD
		SEE SHEET 1			



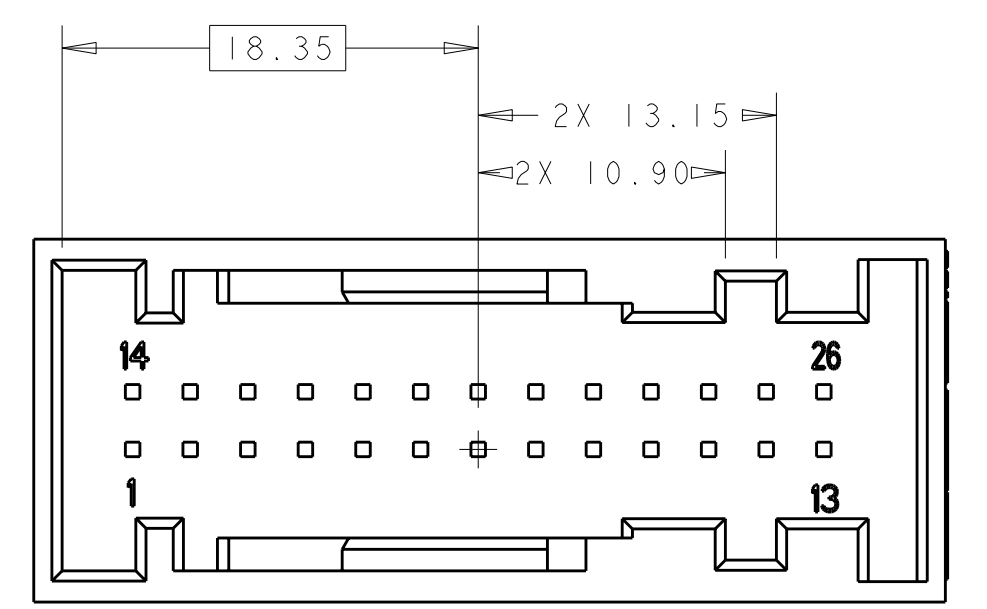
SCALE 3:1



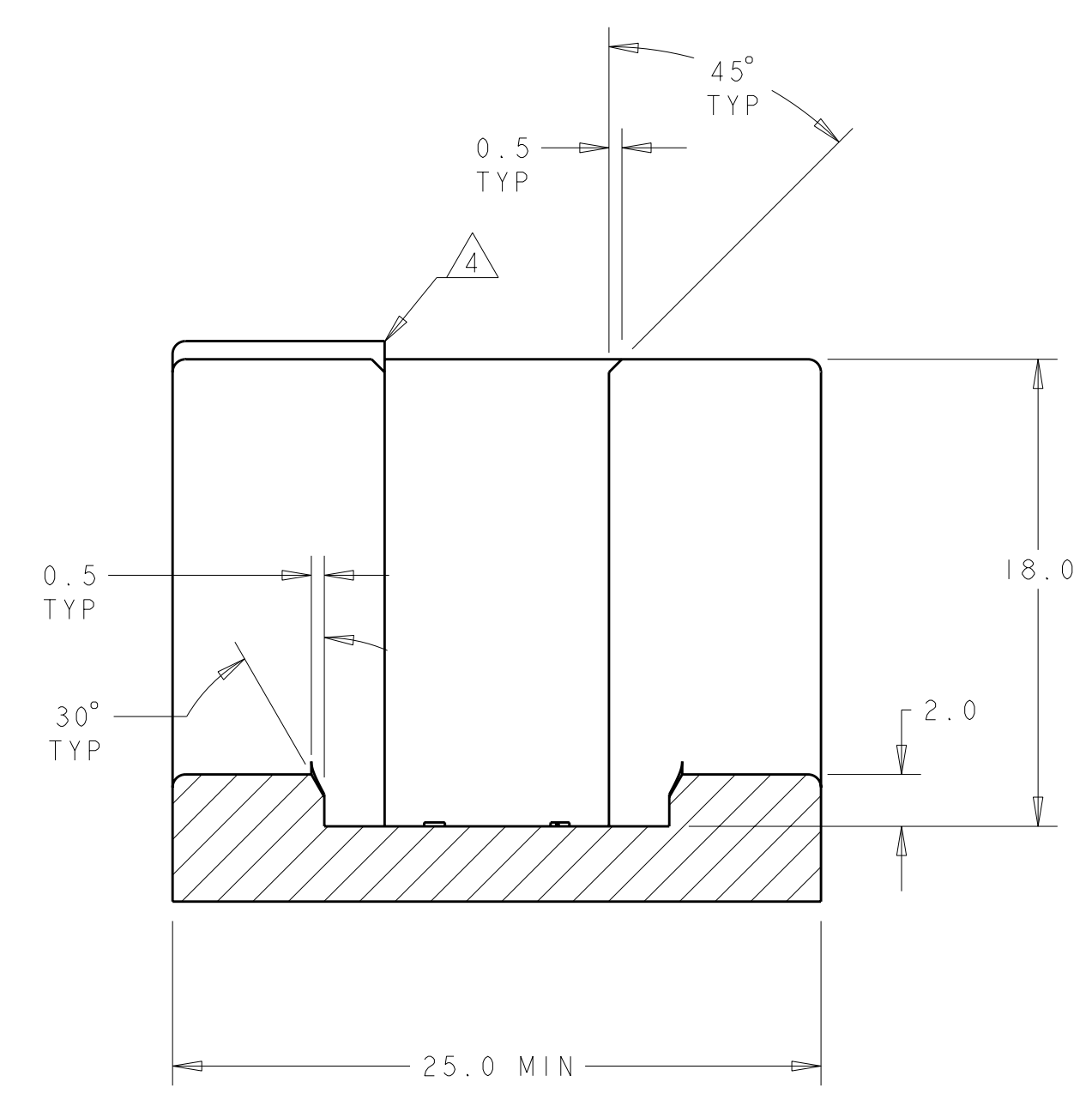
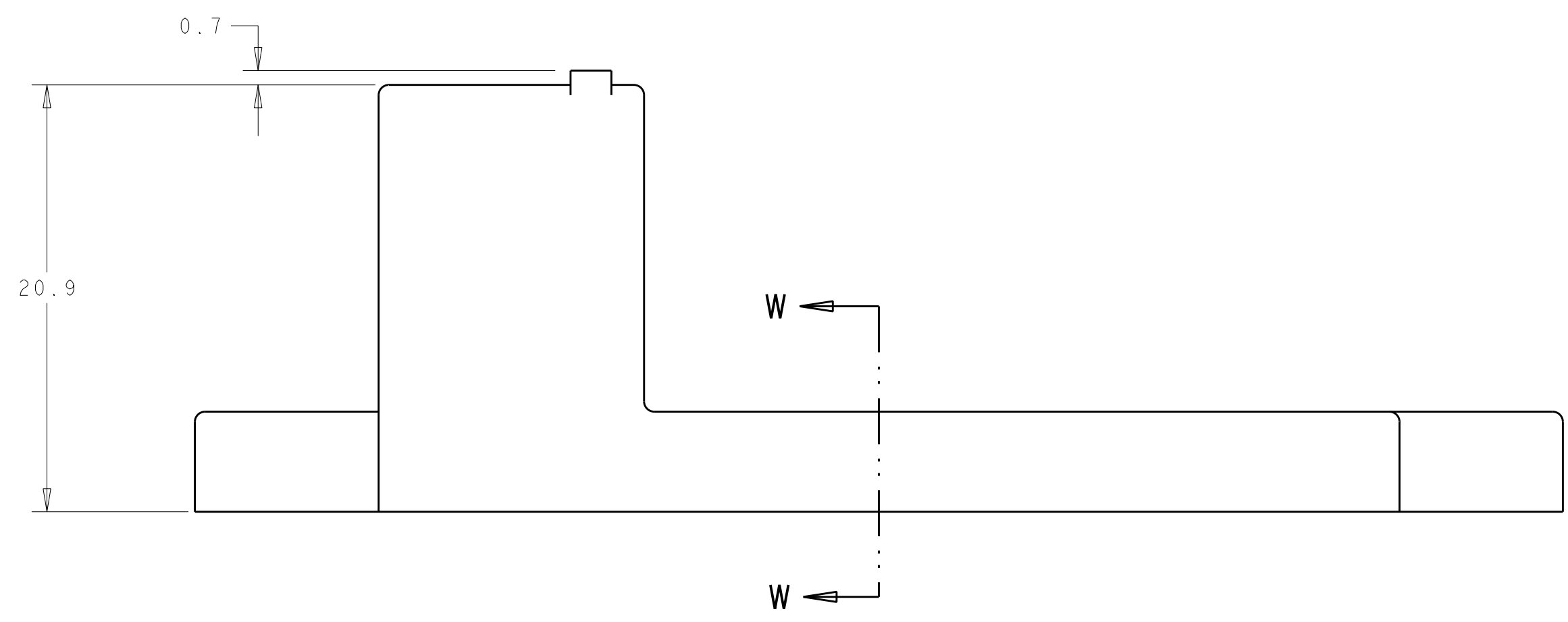
KEY OPTION A-E



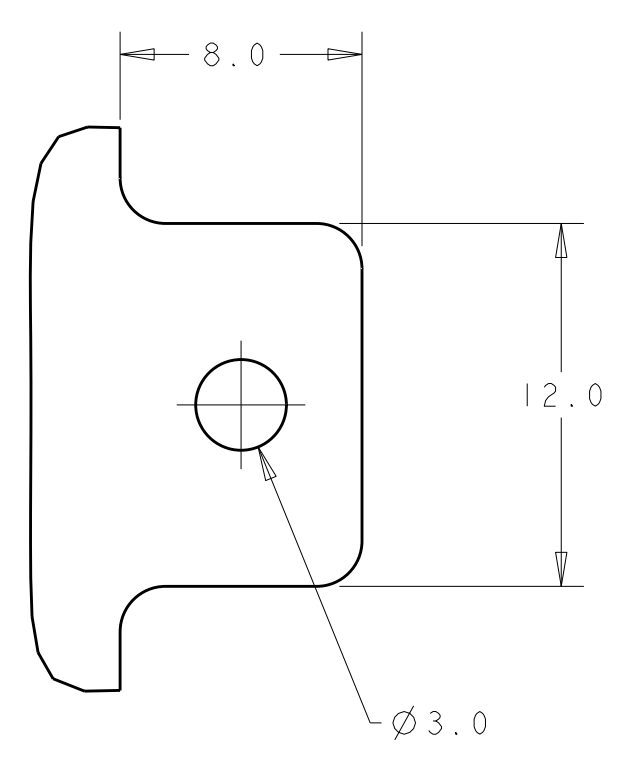
KEY OPTION B-E



KEY OPTION B-F



SECTION W-W



DETAIL X SCALE 4:1

**26 POSITION CONNECTOR FIXTURE**  
 (SHOWN WITH CLEARANCE FOR ALL KEY OPTIONS)

- CONNECTOR FIXTURE SHOULD BE USED TO VERIFY THE RECEPTACLE CARRIER IS PROPERLY SEATED AND LOCKED INTO THE SHIELD ASSEMBLY. THE CONNECTOR WILL NOT FULLY MATE TO THE FIXTURE IF THE RECEPTACLE CARRIER IS OUT OF POSITION.
- RECOMMEND USING A SENSING DEVICE FOR VERIFYING FULLY MATED CONNECTORS. SUCH A DEVICE IS UP TO THE CUSTOMERS DISCRESSION.
- RECOMMENDED MATERIAL: HARDEND STEEL
- NO RADII OR CHAMFER PERMITTED IN SPECIFIED AREA. MUST MAINTAIN 90° EDGE.
- RADII TO BE 0.5 UNLUSS OTHERWISE SPECIFIED.
- OPTIONAL CONSTRAINT FEATURE.

DIMENSIONS: mm 0 PLC ± 1 PLC ±0.1 2 PLC ±0.05 3 PLC ± 4 PLC ± ANGLES ±1° FINISH		TOLERANCES UNLESS OTHERWISE SPECIFIED: DIMENSIONS: mm 0 PLC ± 1 PLC ±0.1 2 PLC ±0.05 3 PLC ± 4 PLC ± ANGLES ±1° FINISH		DWN W. HOELSCHER 22FEB02 CHK S. TOBEY 22FEB02 APVD DS TOBEY 22FEB02 NAME PRODUCT SPEC APPLICATION SPEC WEIGHT CUSTOMER DRAWING		Tyco Electronics Harrisburg, PA 17105-3608 NAME SHIELD ASSEMBLY - 0.64mm 26 POSITION, LEVER ASSISTED CONNECTOR SIZE CAGE CODE DRAWING NO A11 00779 C=1326362 RESTRICTED TO	
SCALE 4:1		SHEET 2 OF 2		REV C1			

# Mouser Electronics

Authorized Distributor

Click to View Pricing, Inventory, Delivery & Lifecycle Information:

[TE Connectivity:](#)

[1326362-1](#)