

## 83731 / 83732 / 83733 Top-mounted plunger Part number 837313



- Adjustable threaded barrel fixing

### Part numbers

Type	Features	Version
83 731 3 Top-mounted plunger	-	Single-pole

### Specifications

Conformity to standards	NFC 20030 : Class I (the plunger is operated manually by an earthed metal part or by an insulated part which provides additional insulation).
Protection	IP 56 - IP 66 depending on type
Version	Single-pole
Function	3-terminal single break two-way contact element (form C : changeover)

### Electrical characteristics

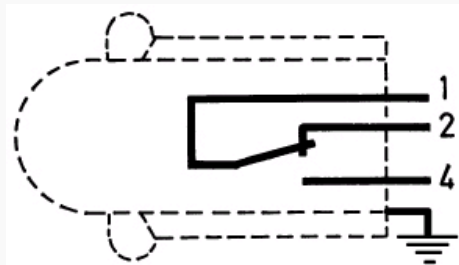
Assigned operating current (I <sub>e</sub> )	5 A / 250 V
Thermal current I (A)	12

### Connections

Cable	PVC (A05 - VV - F), length 0.50 m 3 conductors cross-section 0.75 mm <sup>2</sup> Sheathed ext. Ø : 7.6 mm
Electrical protection	Earthing terminal for version 83 731 and 83 732
Approvals	-

Minimum operating force (N)	15
Minimum total travel force (N)	35
Differential travel (mm)	2
Minimum operating travel (mm)	0,2
Maximum total travel (mm)	6
Mechanical life (millions of operations) mini.	10 <sup>6</sup>
Operating temperature (°C)	-5 → +70
Protection °C	IP66
Weight (g)	110

### Principles



### Function

3-terminal single break two-way contact element (form C : changeover).

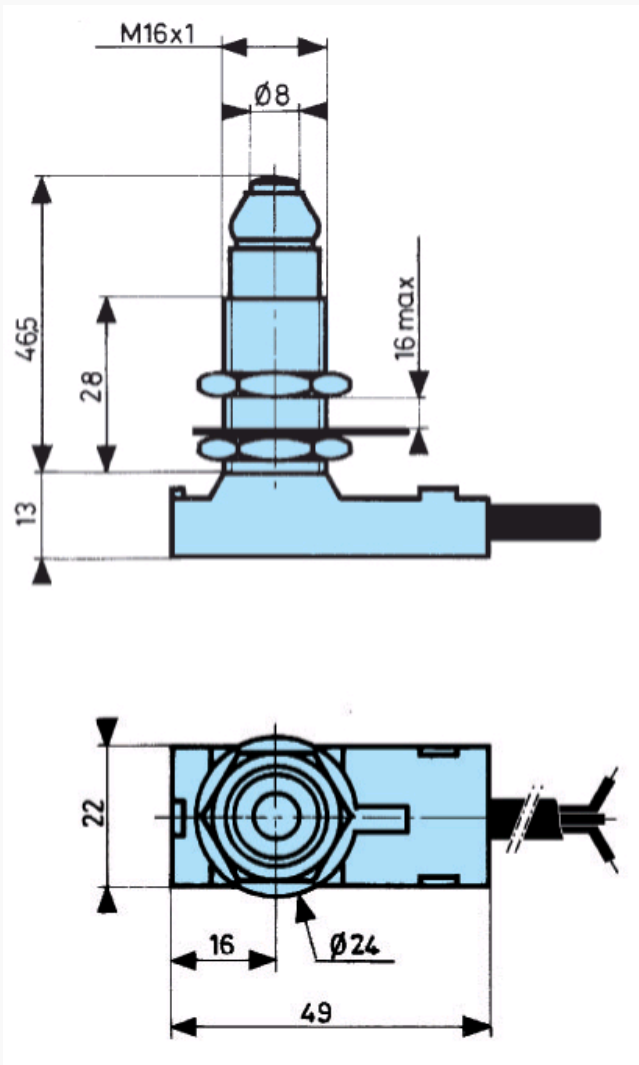
N°	Legend
①	Black (common)
②	Brown (NC)



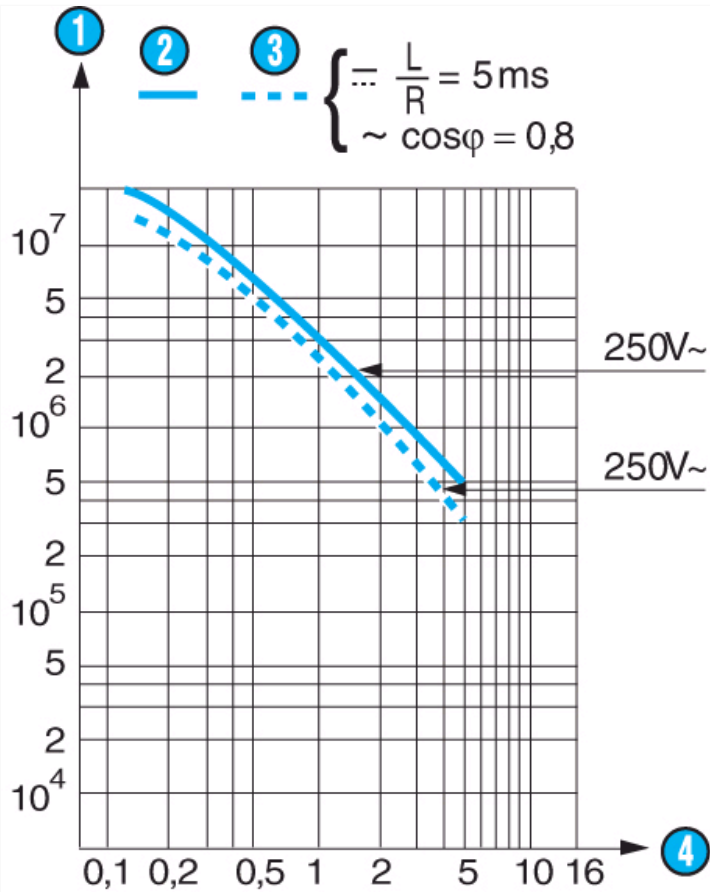
## Dimensions (mm)

## Product

83 731 3



## Curves



N°	Legend
1	Number of operations
2	Resistive circuit
3	Inductive circuit
4	Current in Amps

# Mouser Electronics

Authorized Distributor

Click to View Pricing, Inventory, Delivery & Lifecycle Information:

Crouzet:

[83731310](#) [83731316](#) [83731324](#) [83731331](#) [83731319](#)