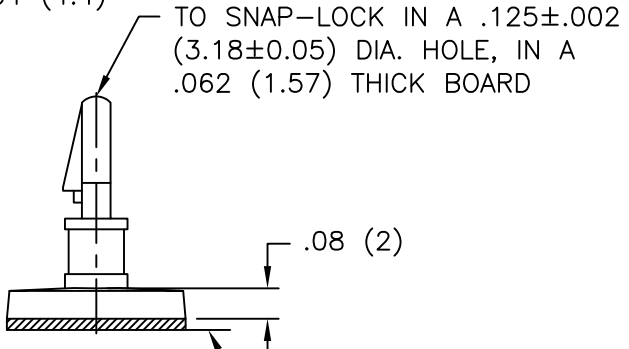
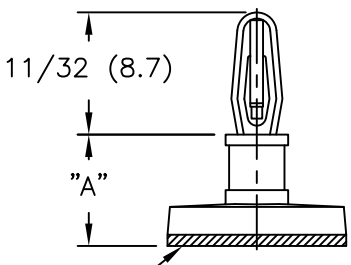
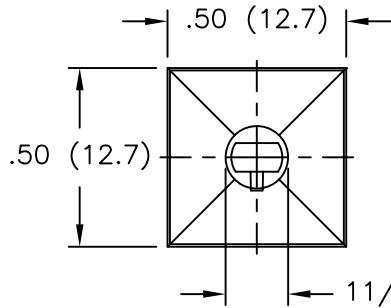


| | |
|-----------------|-----------------|
| PART NO. | "A"±.015 (±0.4) |
| LCBSBM-3-01A-RT | 3/16 (4.8) |
| LCBSBM-4-01A-RT | 1/4 (6.4) |
| LCBSBM-5-01A-RT | 5/16 (7.9) |
| LCBSBM-6-01A-RT | 3/8 (9.5) |
| LCBSBM-7-01A-RT | 7/16 (11.1) |
| LCBSBM-8-01A-RT | 1/2 (12.7) |
| LCBSBM-9-01A-RT | 9/16 (14.3) |
| LCBSBM-10-01A | 5/8 (15.9) |



1/32 (0.8) THICK, DOUBLE SIDED ADHESIVE TAPE

TYPICAL RELEASE TAB LOCATION

NOTES:

- MATERIAL: NYLON 6/6 (RMS-01). FLAME RETARDANT NYLON (RMS-19), AVAILABLE BY SPECIAL ORDER ONLY.
- COLOR: NATURAL.
- ACRYLIC ADHESIVE TAPE (RMS-15), WHITE LINER.

RUBBER ADHESIVE TAPE (RMS-102), BLUE LINER. AVAILABLE BY SPECIAL ORDER ONLY.
TO ORDER REPLACE SUFFIX "A-RT" WITH "A1-RT" ON P/N.

PART ALSO AVAILABLE WITHOUT TAPE BY SPECIAL ORDER. TO ORDER, REMOVE "A-RT" FROM P/N. FOR NEW DIM. "A" SUBSTRACT 1/32" (0.8)
- PART AVAILABLE WITH NON-LOCKING BAYONET NOSE BY SPECIAL ORDER. TO ORDER, USE PART NO. "CBSBM-X-XXX-XX"

| | | |
|-----|---|---------------|
| G | SEE CO 200773 FOR CHANGES | SK 04.30.12 |
| F | SEE CO 200705 FOR CHANGES | SK 09.07.11 |
| E | ADDED NON-LOCKING TOP OPTION (NOTE 4), ECN #631 | SM 05.20.03 |
| D | ADDED RUBBER ADHESIVE BY SPECIAL ORDER (ECN #466) | SM 09.18.02 |
| C | UPDATED PRINT AND CHANGED FILE NO | SM 04.30.01 |
| B | MAT'L RMS-19 ADDED | J.L. 12.29.97 |
| A | CONVERTED TO ACAD | P.B. 05.23.95 |
| REV | DESCRIPTION | ENGR DATE |

TITLE: LOCKING CKT. BD. SUPPORT ON BASE, MINI

DWG IN IN (MM)

| | | | | | |
|---|------------------|--|------|---------------------|------------------|
| TOLERANCES UNLESS NOTED .XX=±.010 .XXX=±.005 FRAC=±1/64 ANG=±1' | FILE # LCBSBM | DWN: P.B. | APP: | PART # SEE TABLE | PRINT TYPE CA |
| | MAT'L: SEE NOTES | DT: 05-23-95 | DT: | | |
| | RE: RICHCO, INC. | RICHCO INC. PO BOX 804238, CHICAGO, 60680 (773) 539-4060 | | | |