

THIS DRAWING IS UNPUBLISHED. RELEASED FOR PUBLICATION

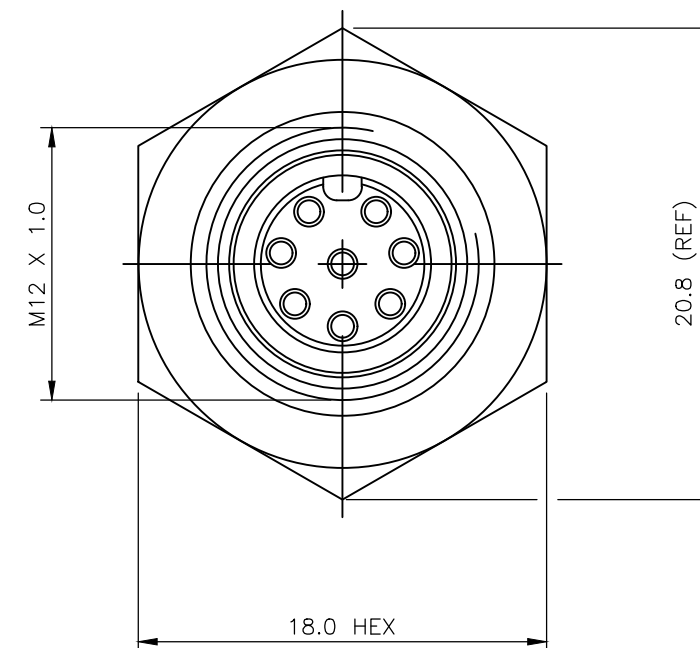
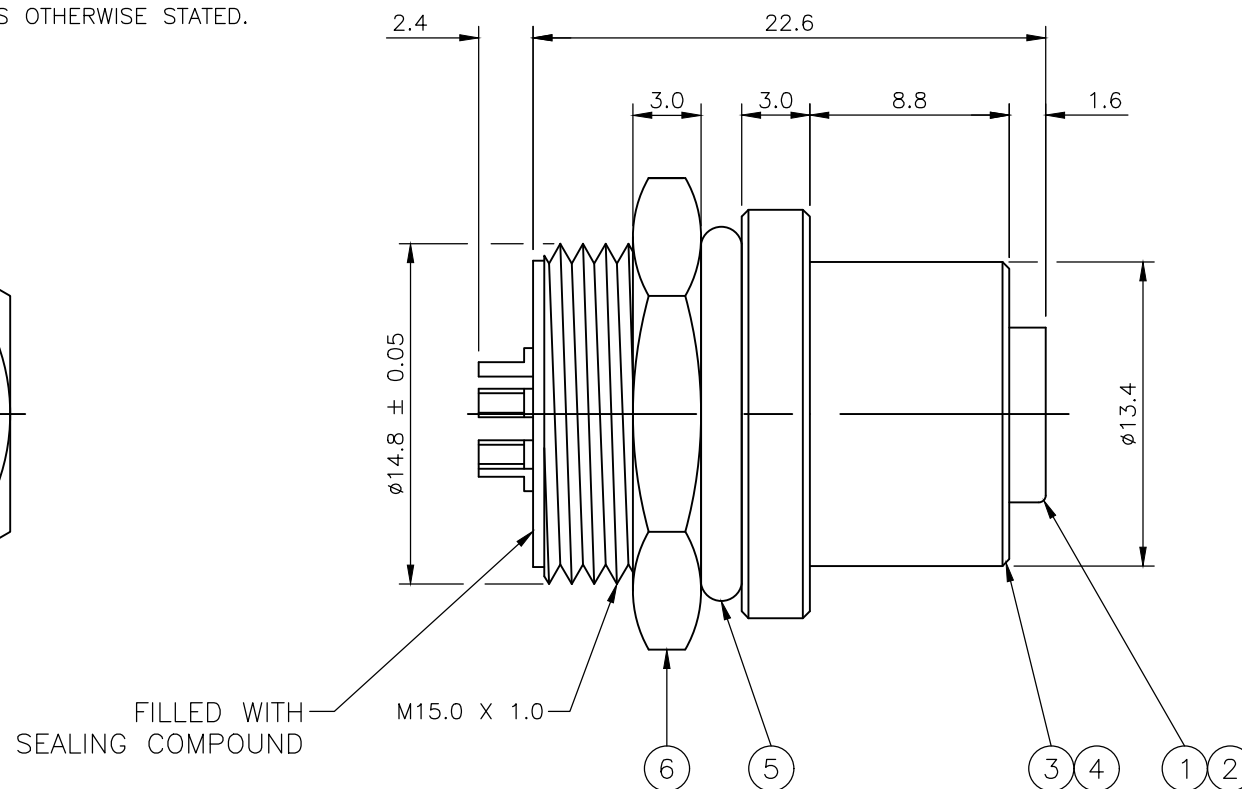
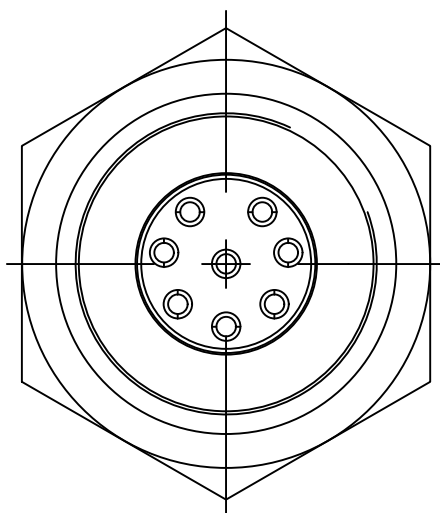
© COPYRIGHT - SOLDER STRAIGHT REAR(CIRCULAR) MOUNTING ALL RIGHTS RESERVED.

LOC	DIST	REVISIONS			
P	LTR	DESCRIPTION	DATE	DWN	APVD
E	B	A1	REVISED PER ECO-11-005150	21MAR11	RK HMR
		B	ECR-18-004497, Obsolete P/N	05APR18	TF CW

NOTES:

- ELECTRICAL DATA: CONTACT RESISTANCE: 10 mOhm MAX  
INSULATION RESISTANCE: 100 MOhm MIN at 500VDC  
CURRENT RATING: 5 AMPS (FOR 3, 4 AND 5 POSITIONS) AND 2 AMPS (FOR 8 POSITION ONLY)  
BREAKDOWN VOLTAGE: 500 VAC MIN PER MINUTE
- ENVIRONMENTAL: OPERATING TEMPERATURE: -25°C TO +90°C  
SEALING REQUIREMENTS: IP67
- PROD SPEC: 108-3641
- PACKAGING: 107-3334
- FOR TECHNICAL DATA REFER TO YOUR LOCAL TE CONNECTIVITY SALES OFFICE.
- ALL DIMENSIONS ARE NOMINAL FOR REFERENCE ONLY UNLESS OTHERWISE STATED.

ITEM	DESCRIPTION	MATERIAL	FINISH/COLOUR	QUANTITY / ITEM			
				-1	-2	-3	-4
1	CONNECTOR HOUSING	GF NYLON	BLACK	1	1	1	1
2	SOCKET CONTACT	BRASS	0.15µm GOLD OVER NICKEL	3	4	5	8
3	CONNECTOR BODY	BRASS	NICKEL PLATED	1	1	1	1
4	'O' RING	VITON	GREEN	1	1	1	1
5	'O' RING	EPDM	BLACK	1	1	1	1
6	SCREW NUT	BRASS	2.5µm NICKEL PLATED	1	1	1	1



FILLED WITH SEALING COMPOUND

M15.0 X 1.0

	M12 METAL FEMALE PANEL MOUNT CONNECTOR, SOLDER, STRAIGHT, REAR (CIRCULAR) MOUNTING	8	1838415-4
Obsolete	M12 METAL FEMALE PANEL MOUNT CONNECTOR, SOLDER, STRAIGHT, REAR (CIRCULAR) MOUNTING	5	1838415-3
Obsolete	M12 METAL FEMALE PANEL MOUNT CONNECTOR, SOLDER, STRAIGHT, REAR (CIRCULAR) MOUNTING	4	1838415-2
Obsolete	M12 METAL FEMALE PANEL MOUNT CONNECTOR, SOLDER, STRAIGHT, REAR (CIRCULAR) MOUNTING	3	1838415-1
	DESCRIPTION	NO. OF POS	PART NUMBER

THIS DRAWING IS A CONTROLLED DOCUMENT.		DWN A.Morey 09MAR06	<b>STE</b> TE Connectivity	
DIMENSIONS: mm		CHK F.Wheeler-King 12APR06		
TOLERANCES UNLESS OTHERWISE SPECIFIED:		APVD F.Wheeler-King 12APR06	NAME M12 METAL FEMALE PANEL MOUNT CONNECTOR, SOLDER, STRAIGHT, REAR(CIRCULAR) MOUNTING	
0 PLC ± -		PRODUCT SPEC	SIZE	
1 PLC ± -		APPLICATION SPEC	CAGE CODE	DRAWING NO
2 PLC ± -		WEIGHT	RESTRICTED TO	
3 PLC ± -			A3 00779 C-1838415	
4 PLC ± -			SCALE	SHEET
ANGLES ± -			NTS	1 OF 2
FINISH			REV	B
MATERIAL		CUSTOMER DRAWING		

THIS DRAWING IS UNPUBLISHED. RELEASED FOR PUBLICATION  
 © COPYRIGHT - By - ALL RIGHTS RESERVED.

LOC	DIST	REVISIONS			
P	LTR	DESCRIPTION	DATE	DWN	APVD
E	B	-	SEE SHEET 1	-	-

D

1838415-1

1838415-2

1838415-3

1838415-4

D

C

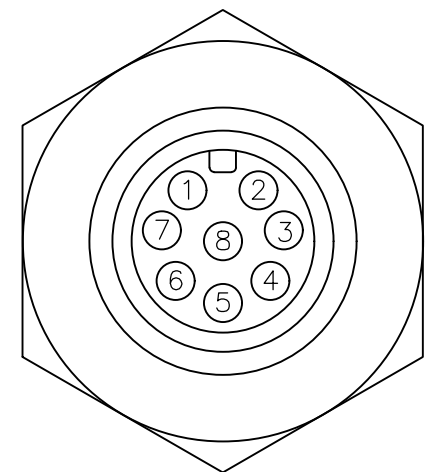
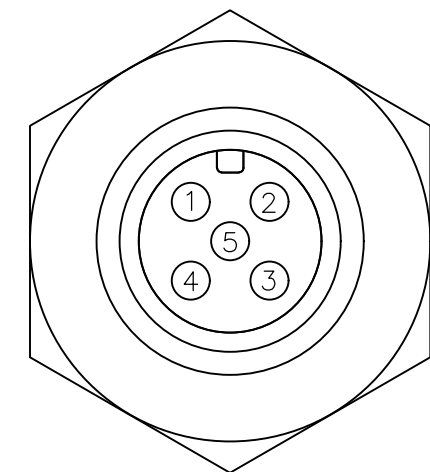
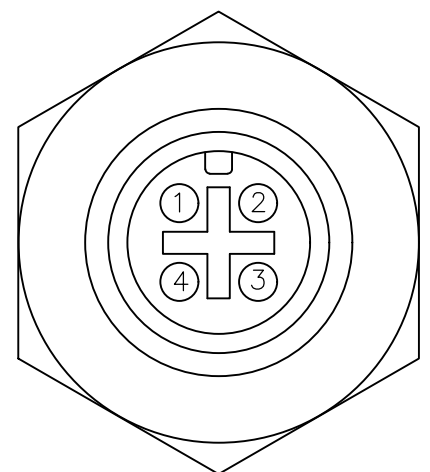
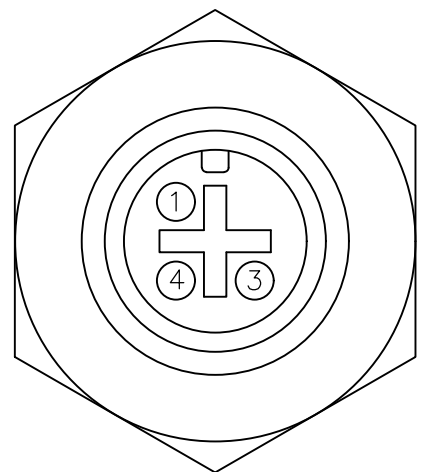
PIN ASSIGNMENTS  
FRONT VIEW

PIN ASSIGNMENTS  
FRONT VIEW

PIN ASSIGNMENTS  
FRONT VIEW

PIN ASSIGNMENTS  
FRONT VIEW

C



C

C

B

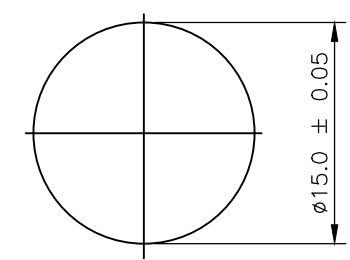
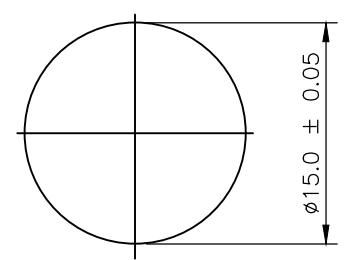
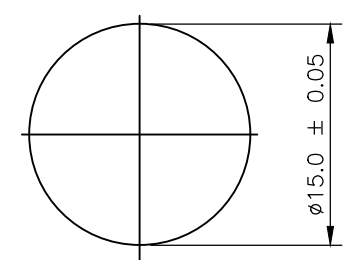
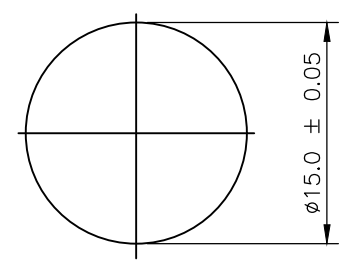
RECOMMENDED PANEL CUT-OUT  
(MAX PANEL THICKNESS 4.4mm)

RECOMMENDED PANEL CUT-OUT  
(MAX PANEL THICKNESS 4.4mm)

RECOMMENDED PANEL CUT-OUT  
(MAX PANEL THICKNESS 4.4mm)

RECOMMENDED PANEL CUT-OUT  
(MAX PANEL THICKNESS 4.4mm)

B



A

THIS DRAWING IS A CONTROLLED DOCUMENT.

DWN	A.Morey	09MAR06
CHK	F.Wheeler-King	12APR06
APVD	F.Wheeler-King	12APR06



DIMENSIONS:	TOLERANCES UNLESS OTHERWISE SPECIFIED:
mm	
0 PLC	± -
1 PLC	± -
2 PLC	± -
3 PLC	± -
4 PLC	± -
ANGLES	± -

PRODUCT SPEC	-
APPLICATION SPEC	-
WEIGHT	-

NAME  
 M12 METAL FEMALE PANEL MOUNT CONNECTOR,  
 SOLDER, STRAIGHT, REAR (CIRCULAR) MOUNTING

MATERIAL	-
FINISH	-

SIZE	CAGE CODE	DRAWING NO	RESTRICTED TO
A3	00779	C-1838415	-

CUSTOMER DRAWING	SCALE	SHEET	REV
	NTS	2 of 2	B

# Mouser Electronics

Authorized Distributor

Click to View Pricing, Inventory, Delivery & Lifecycle Information:

[TE Connectivity:](#)

[1838415-3](#) [1838415-4](#) [1838415-2](#) [1838415-1](#)