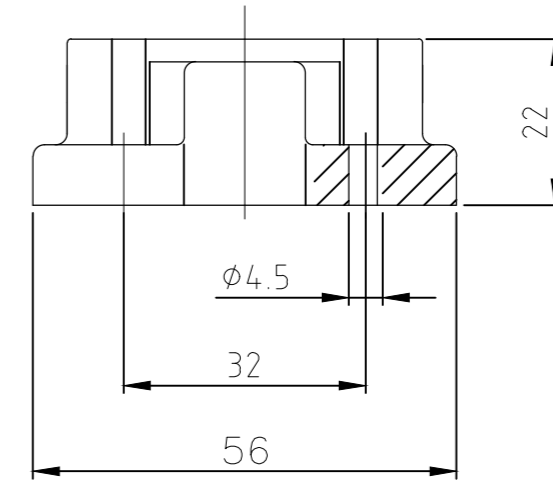
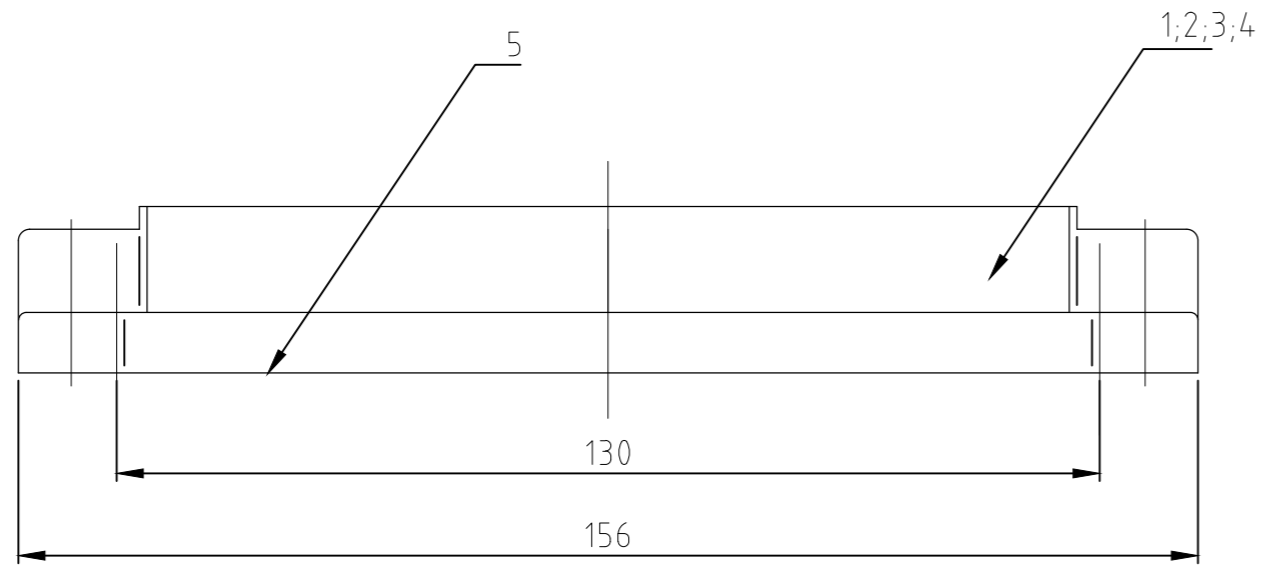
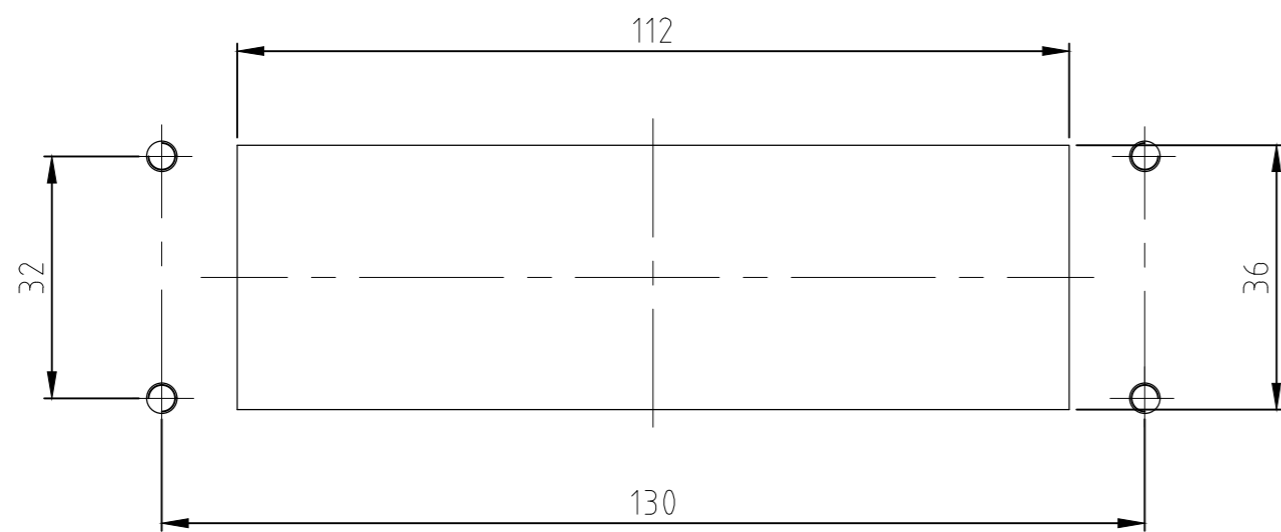


THIS DRAWING IS UNPUBLISHED. RELEASED FOR PUBLICATION  
 © COPYRIGHT - TE Connectivity ALL RIGHTS RESERVED.

| REVISIONS |     |                           |           |     |      |
|-----------|-----|---------------------------|-----------|-----|------|
| P         | LTR | DESCRIPTION               | DATE      | DWN | APVD |
| A6        |     | REVISED PER ECR-17-014011 | 24JAN2018 | NG  | MKO  |



Panel Cut Out



- Notes:
- ① Material: Housing: aluminium diecasting alloy  
Seals: Neoprene conductive
  - ② Surface: Varnish- grey  
yellow chromium plated +  
Varnish black
  - ③ Varnish on the inside not necessarily

- Bemerkungen:
- ① Material: Gehäuse: Alu-Druckguß-Legierung  
Dichtungen: Neoprene leitfähig
  - ② Oberfläche: Lackierung - grau  
gelb chromatiert +  
Lackierung schwarz
  - ③ Lackierung im Gehäuseinnere ist nicht notwendig

| QTY | DESCRIPTION / BENENNUNG    | MATERIAL      | SURFACE/OBERFLÄCHE | COLOR/FARBE    | ITEM NO. | REMARKS / BEMERKUNGEN |
|-----|----------------------------|---------------|--------------------|----------------|----------|-----------------------|
| 1   | O-Ring Bg8                 | Neoprene      | -                  | black/schwarz  | 5        | Conductive            |
| 1   | Bulkhead housing EMV-K Bg8 | Aluminium/Alu | yellow chromated   | black/schwarz  | 4        |                       |
| 1   | Bulkhead housing EMV Bg8   | Aluminium/Alu | -                  | grey/grau      | 3        |                       |
| 1   | Bulkhead housing EMV Bg8   | Aluminium/Alu | -                  | unvarnished    | 2        |                       |
| 1   | Bulkhead housing EMV Bg8   | Aluminium/Alu | -                  | white aluminum | 1        |                       |

|  |                |   |              |   |               |                           |
|--|----------------|---|--------------|---|---------------|---------------------------|
| EMV.24/64-AG                           | EMV-K.24/64-AG | EMV.24/64-AG  | EMV.24/64-AG | EMV.24/64-AG  | EMV.24/64-AG  | ORDERING TEXT/BESTELLTEXT |
| THIS DRAWING IS A CONTROLLED DOCUMENT. |                |   |              |   |               |                           |
| DIMENSIONS: mm                         |                | TOLERANCES UNLESS OTHERWISE SPECIFIED:                                      |              | DWN Schneider 01.08.2000  |               |                           |
|  |                | 0 PLC ± -<br>1 PLC ± -<br>2 PLC ± -<br>3 PLC ± -<br>4 PLC ± -<br>ANGLES ± - |              | CHK Schweiger 01.08.2000  |               |                           |
| MATERIAL                               |                | FINISH  |              | APVD - NAME   |               |                           |
| ①                                      |                | ②   |              | TE Connectivity   |               |                           |
| CUSTOMER DRAWING                       |                |   |              | Surface mounted housing bottom entry EMV<br>Anbaugehäuse EMV.24/64-AG |               |                           |
| SCALE 1:1                              |                |   | SHEET 1 of 1 |   | RESTRICTED TO |                           |
|  |                |   | REV A6       |   |               |                           |

# Mouser Electronics

Authorized Distributor

Click to View Pricing, Inventory, Delivery & Lifecycle Information:

[TE Connectivity:](#)

[4-1102760-5](#)