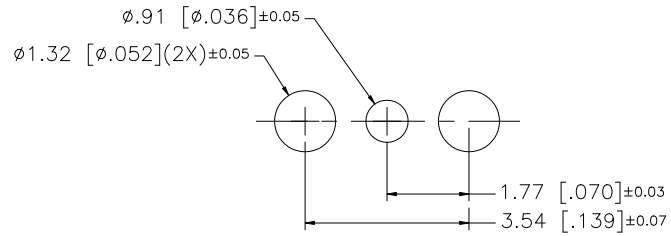


REV.	DATE	ECR NO.	DESCRIPTION
NC	04/27/02	-	INITIAL RELEASE
A	02/25/09	100084	REVISE BODY DIAMETER TO 4.5, BODY LENGTH TO 7.4

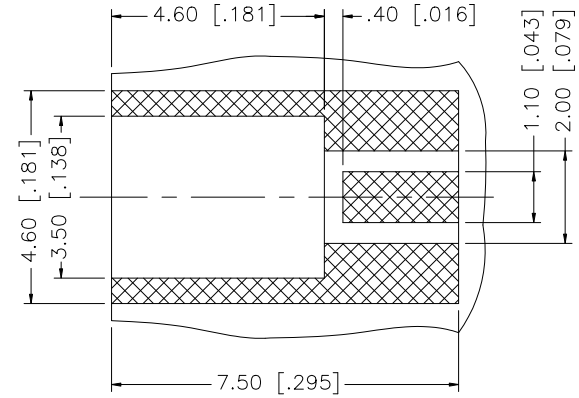
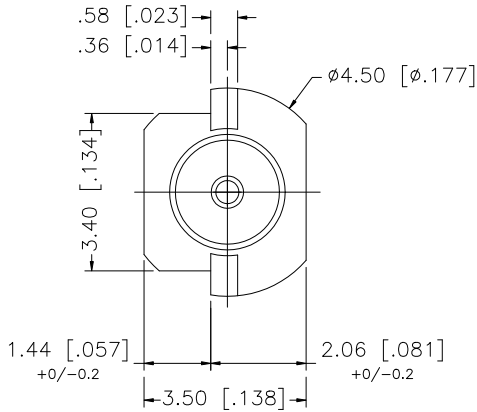
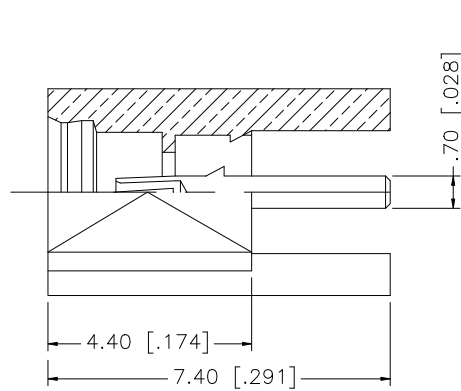


PCB MOUNTING HOLE



PATTERN

LAND (FREE OF SOLDER MASK)



RECOMMENDED MOUNTING HOLE

DESCRIPTION	MATERIAL	FINISH	QTY
8			
7			
6			
5			
4			
3	CONTACT PIN	BER. COPPER	GOLD 1
2	INSULATOR	PTFE	NATURAL 1
1	BODY	BRASS	GOLD 1

UNLESS OTHERWISE SPECIFIED DIMENSIONS ARE IN MILLIMETERS. DIMENSIONS IN [] ARE IN INCHES AND FOR CUSTOMER REFERENCE ONLY.

UNLESS OTHERWISE SPECIFIED TOLERANCES FOR MILLIMETERS ARE:
0.5 - 8mm ± 0.20mm
8 - 30mm ± 0.40mm
30 - 120mm ± 0.50mm

UNLESS OTHERWISE SPECIFIED TOLERANCES FOR INCHES ARE:
.020 - .315 = ± 0.007"
.315 - 1.180 = ± 0.015"
1.180 - 4.724 = ± 0.020"

DO NOT SCALE DRAWING

APPROVALS	DATE
DRAWN GRS	02/25/09
CHECKED	
ISSUED	
SHEET 1 OF 1	
CAD FILE	C:/262/262107-10.DWG

Amphenol Connex

PART DESCRIPTION

MMCX EDGE CARD JACK

PART NO.

262107-10

DWG. NO.

262107-10.DWG

REV. A

SIZE A

SCALE NA

Mouser Electronics

Authorized Distributor

Click to View Pricing, Inventory, Delivery & Lifecycle Information:

[Amphenol:](#)

[262107-10](#) [262116TR](#)