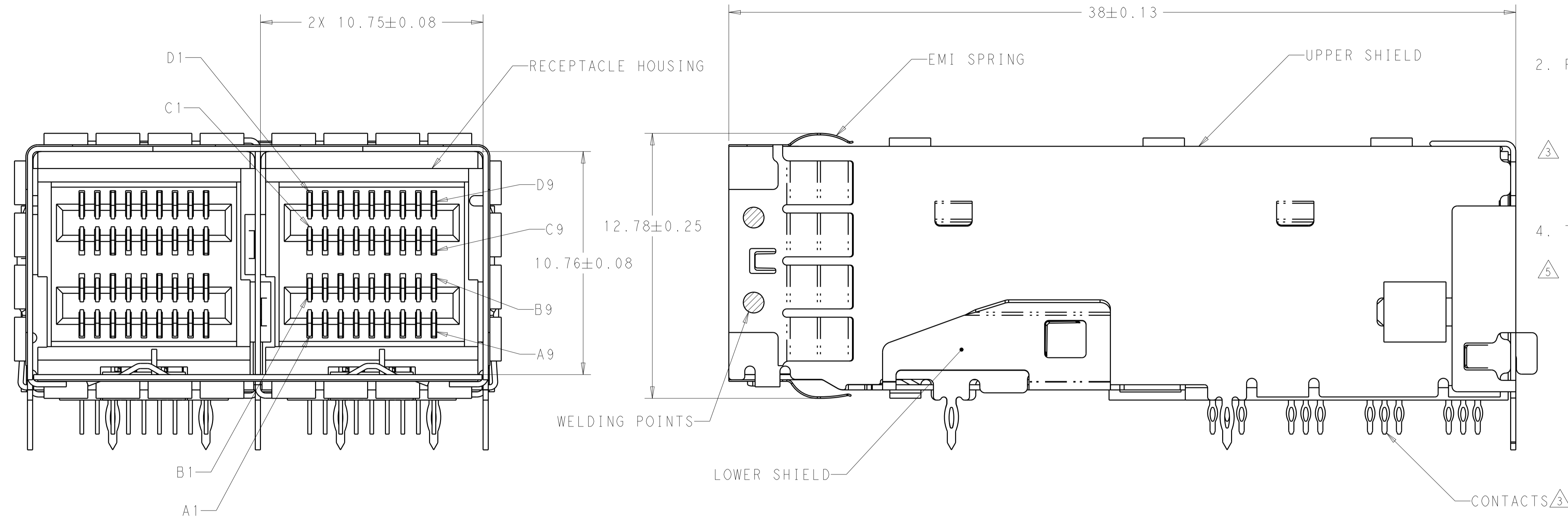
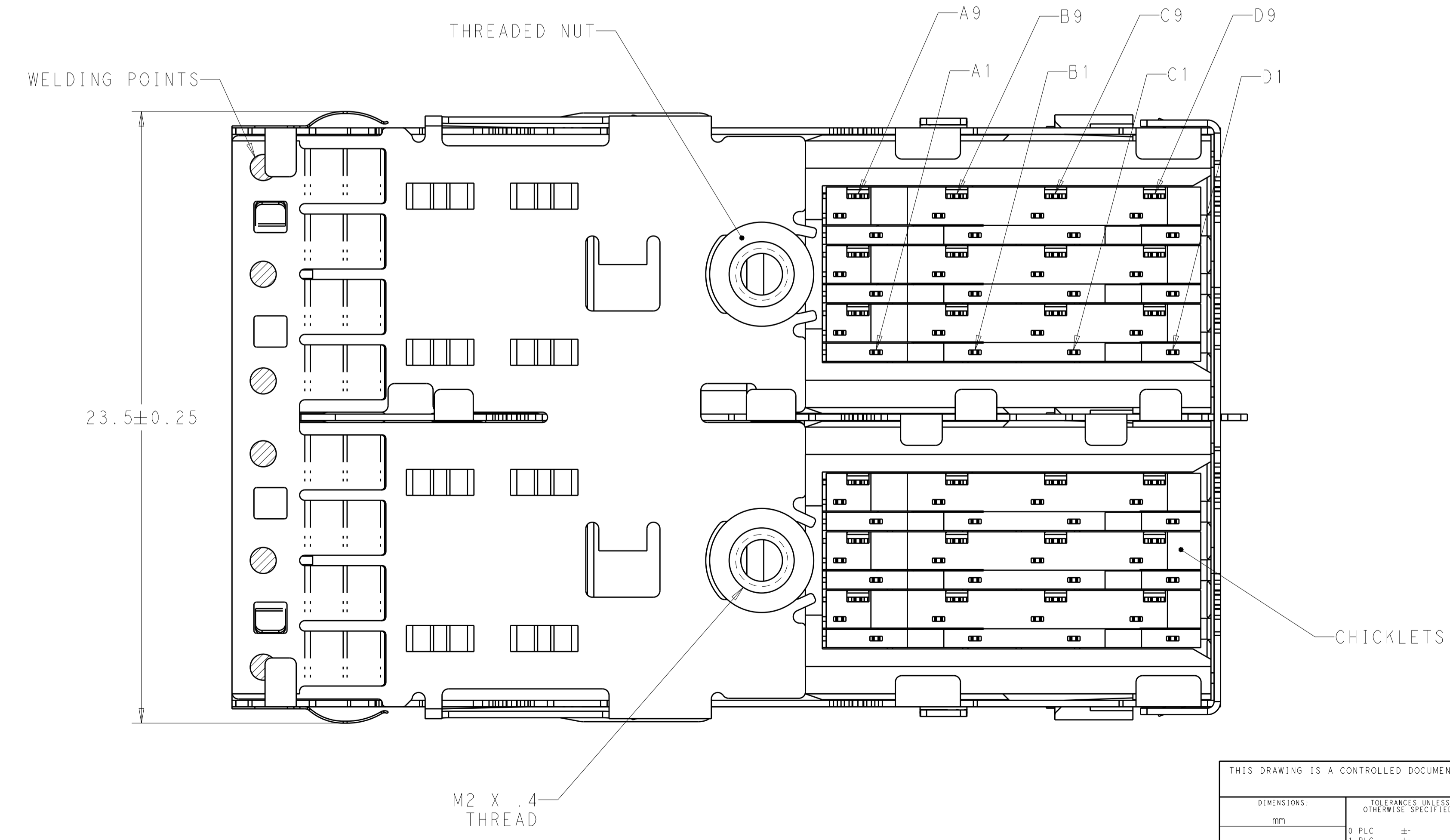


LOC		DIST		REVISIONS			
P	LTN	DESCRIPTION	DATE	DMN	APVD		
A		REVISED PER ECO-14-018497	17DEC2014	AP	DG		
B		REVISED PER ECO-15-013876	16MAY2016	JY	SH		



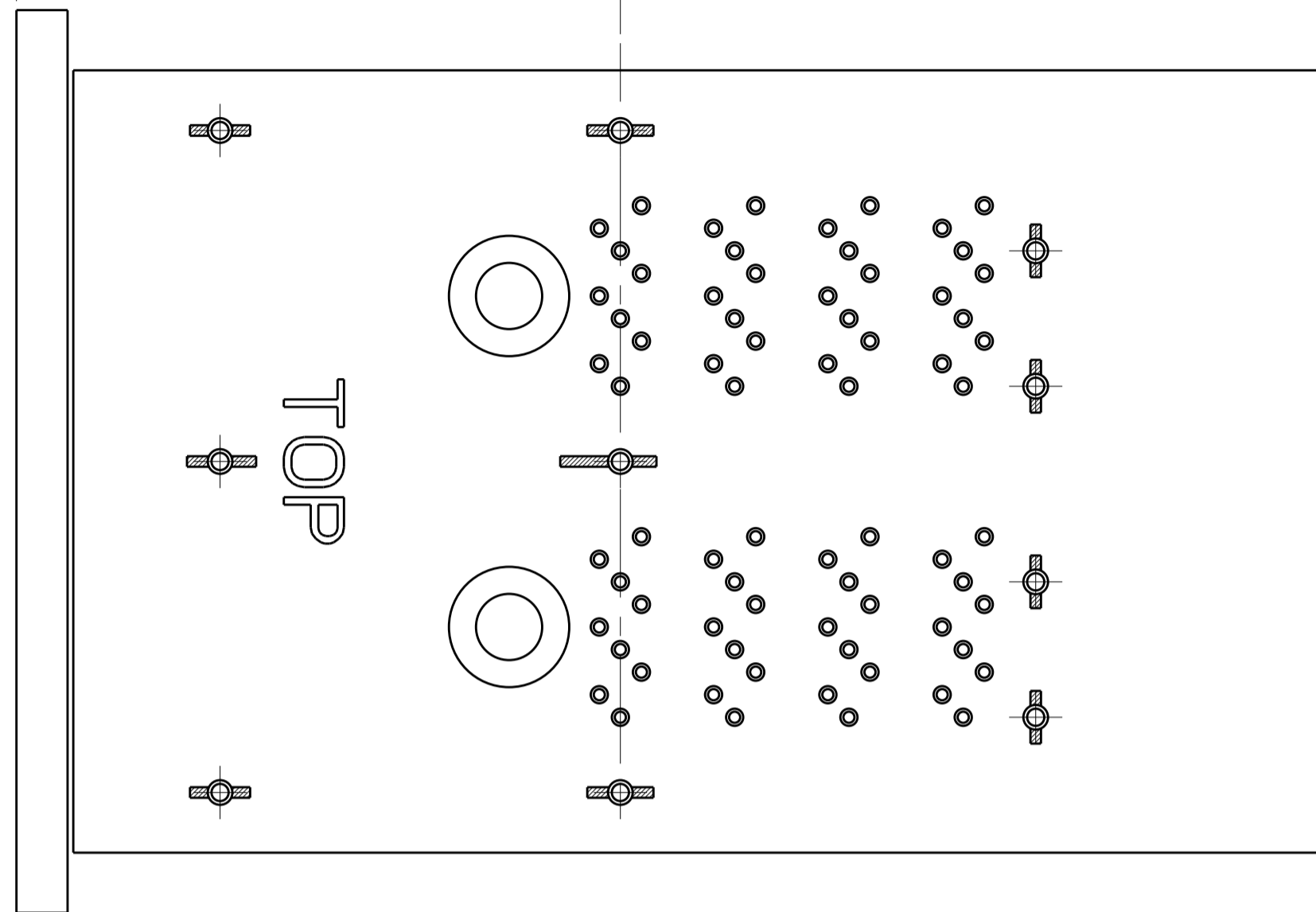
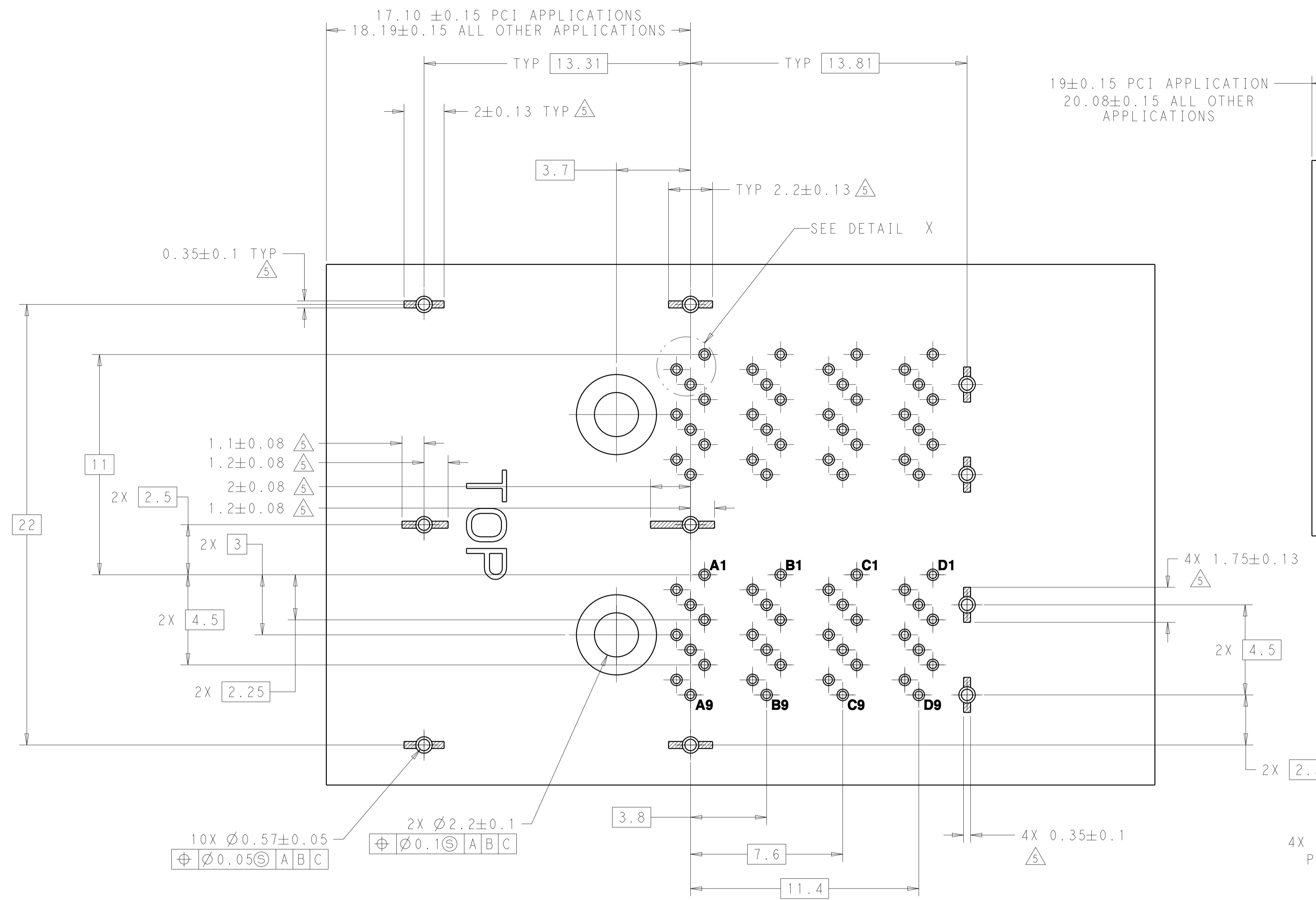
1. MATERIALS  
 RECEPTACLE HOUSING, LCP, BLACK, UL94V-0 RATED  
 SHIELD ASSY: NICKEL SILVER COPPER ALLOY  
 CONTACTS: COPPER ALLOY  
 EMI SPRING: COPPER ALLOY  
 THREADED NUT: BRASS  
 CHICKLETS: LCP, BLACK, UL 94V-0 RATED
  2. FINISH  
 EMI SPRING: TIN PLATE OVER NICKEL PLATE  
 NON-PLATED EDGES PERMISSABLE  
 THREADED NUT: NICKEL PLATE
  3. CONTACT FINISH: CONFORMS TO THE REQUIREMENTS OF TE PRODUCT SPECIFICATION, 108-2462. BASED ON EIA/ECA-364-1000.01A. (CONTROLLED ENVIRONMENT APPLICATIONS) ON MATING END. TIN PLATED ON PCB TAIL
  4. THREAD LENGTH OF FASTENER = PCB THICKNESS + 1.45 MAX
- RECOMMENDED TRACE KEEP OUT ZONE



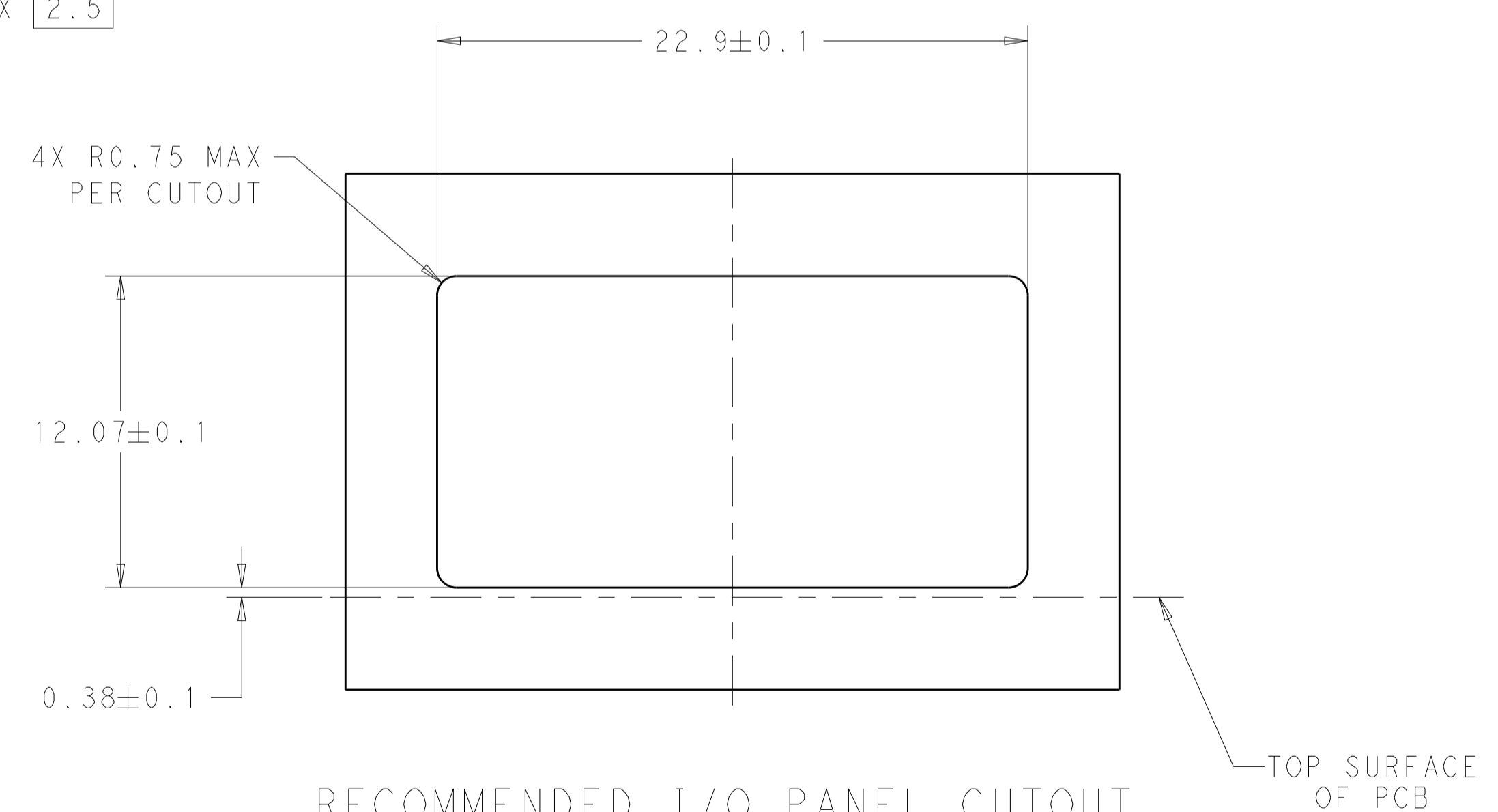
2214869-1  
PART NUMBER

THIS DRAWING IS A CONTROLLED DOCUMENT.		DMN J. SECHRIST 26MAR2012	TE Connectivity RECEPTACLE ASSEMBLY, MINI-SAS HD, 2X
DIMENSIONS: mm		CHK J. SECHRIST 26MAR2012	
TOLERANCES UNLESS OTHERWISE SPECIFIED:		APVD -	NAME
0 PLC ±	1 PLC ±	PRODUCT SPEC	108-2462
2 PLC ±	3 PLC ±	APPLICATION SPEC	114-13316
4 PLC ±	ANGLES ±	WEIGHT	A100779C=2214869
MATERIAL	FINISH	Customer Drawing	SCALE 8:1 SHEET 1 OF 2 REV B

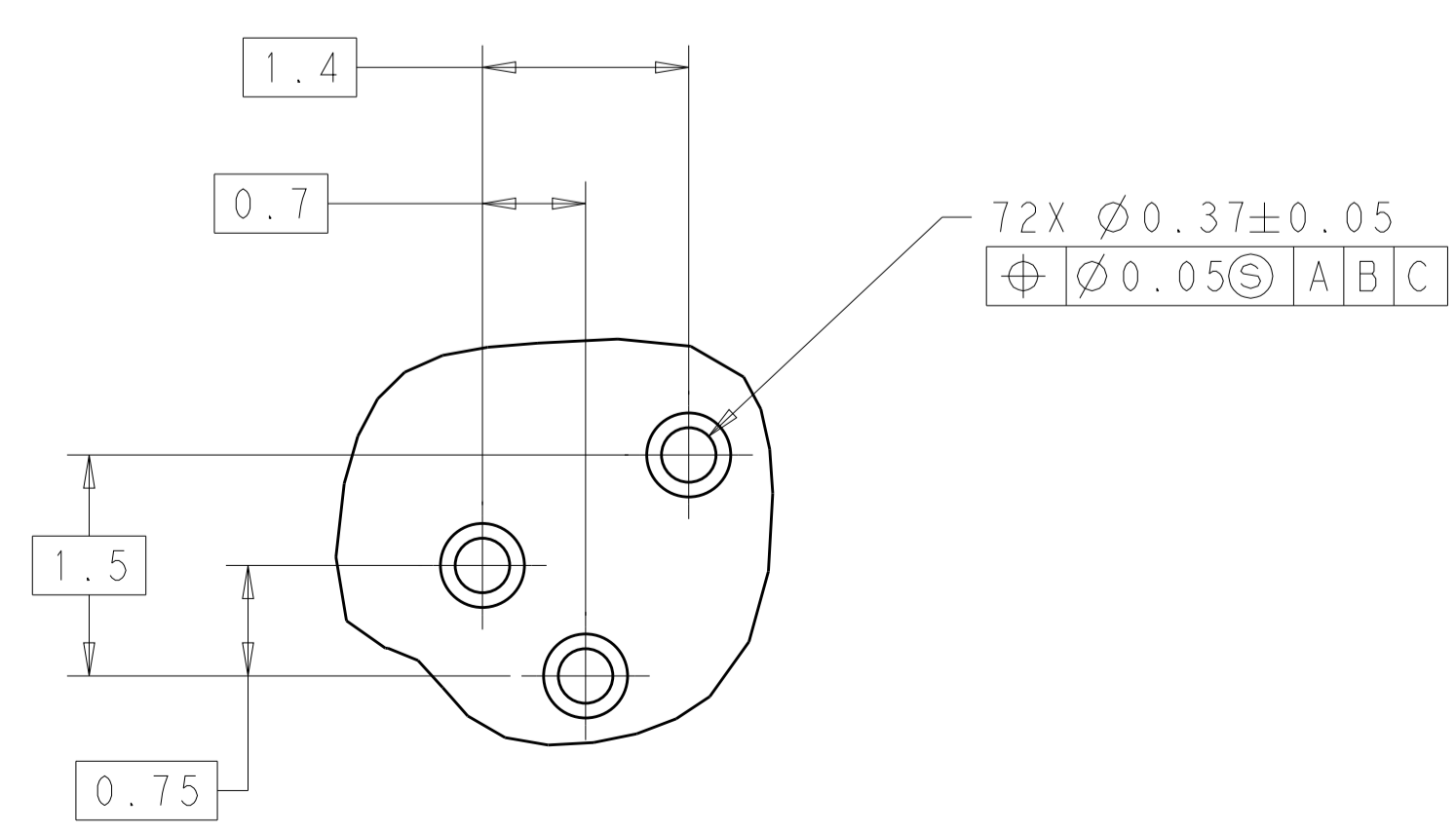
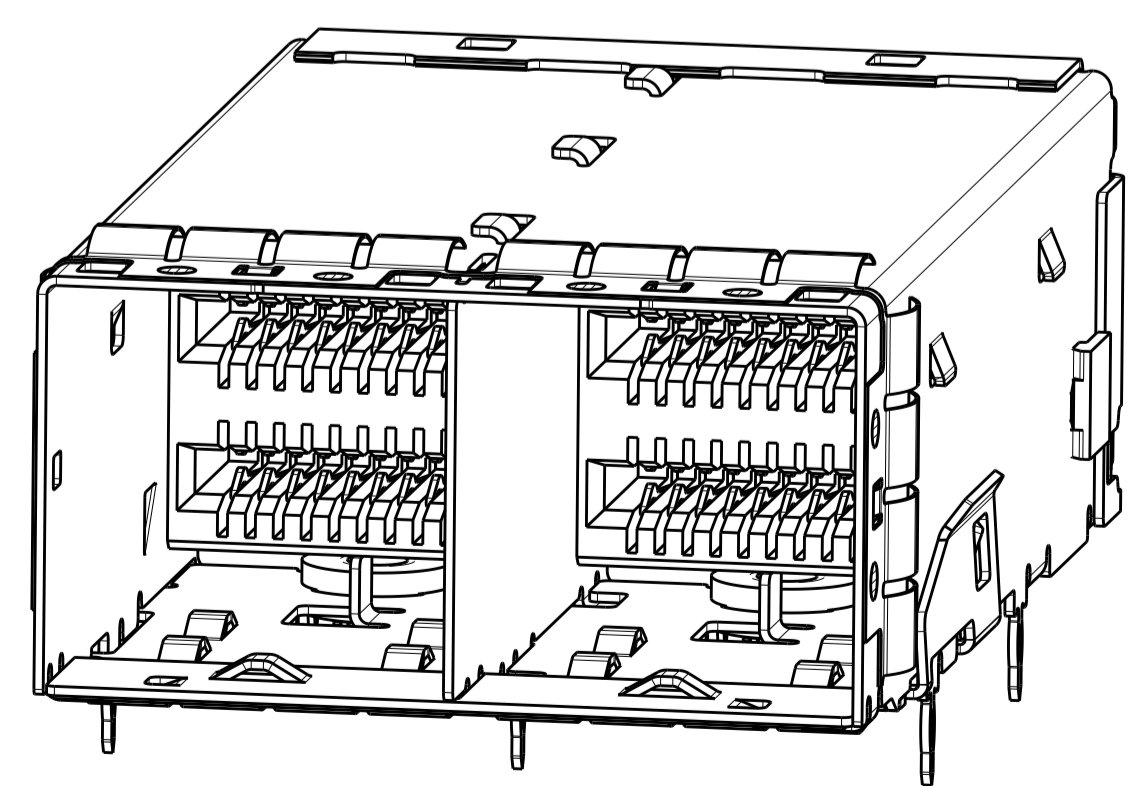
LOC	DIST	REVISIONS			
P	LTH	DESCRIPTION	DATE	DWN	APVD
-	-	SEE SHEET 1	-	-	-



PANEL/PCB ASSEMBLY  
SCALE=5:1



RECOMMENDED I/O PANEL CUTOUT  
SCALE=5:1



DETAIL X  
SCALE 20:1

THIS DRAWING IS A CONTROLLED DOCUMENT.		DWN: J. SECHRIST 26MAR2012	TE Connectivity
DIMENSIONS: mm		CHK: J. SECHRIST 26MAR2012	
TOLERANCES UNLESS OTHERWISE SPECIFIED:		APVD: -	NAME: RECEPTACLE ASSEMBLY, MINI-SAS HD, 2X
0 PLC ±		PRODUCT SPEC: 108-2462	SIZE: CAGE CODE DRAWING NO: A100779C=2214869
1 PLC ±		APPLICATION SPEC: 114-13316	RESTRICTED TO: -
2 PLC ±		WEIGHT: -	SCALE: 8:1 SHEET 2 OF 2 REV B
3 PLC ±		FINISH: -	
4 PLC ±			
ANGLES ±			
MATERIAL: -		Customer Drawing	

# Mouser Electronics

Authorized Distributor

Click to View Pricing, Inventory, Delivery & Lifecycle Information:

[TE Connectivity:](#)

[2214869-1](#)