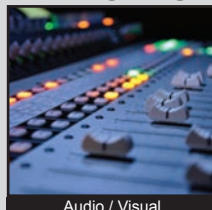


# PV9 SERIES ANTI-VANDAL SWITCH

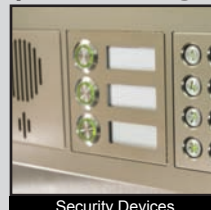
ANTI-VANDAL SWITCHES  
DETECTOR SWITCHES  
DIP SWITCHES  
KEYLOCK SWITCHES  
NAVIGATION SWITCHES  
PUSHBUTTON SWITCHES  
ROCKER SWITCHES  
ROTARY SWITCHES  
SLIDE SWITCHES  
SNAP ACTION SWITCHES  
TACTILE SWITCHES  
TOGGLE SWITCHES  
CAP OPTIONS



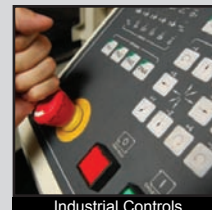
## APPLICATIONS / MARKETS



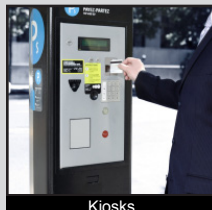
Audio / Visual



Security Devices



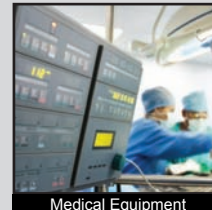
Industrial Controls



Kiosks



Electrical Housewares



Medical Equipment

# RoHS

## SPECIFICATIONS

**Electrical Rating:** 2A, 48VDC  
**Mechanical Life:** 1,000,000 Cycles  
**Electrical Life:** 50,000 Cycles  
**Contact Resistance:** 50mΩ Max.  
**Insulation Resistance:** 1000 MΩ Min. @ 500VDC  
**Dielectric Strength:** 2,000VAC  
**Operating/Storage Temperature:** -20°C to 55°C  
**Travel:** 2.8mm  
**Moisture Protection:** IP65  
**Contact Arrangement:** SPDT or DPDT  
**Actuation Force:** 660 gf  
**Panel Thickness:** 1-10mm  
**Hex Nut Torque:** 5-14Nm

## FEATURES & BENEFITS

- 28mm diameter panel cutout
- Dot or ring illumination options available
- Multiple switch functions available
- Multiple illumination voltage options
- IP65 rated
- SPDT or DPDT

## PART NUMBER CONFIGURATOR

Series	Actuator Options	Terminal Options	Function Options	Rating Options	Body Finish Options	Actuator Finish Options	Contact Material Options	Lens Style Options	LED Color Options	Illumination Voltage Options
PV9	F - Flat	2 - Solder	Y - 1P OFF-(ON), 1P ON-(OFF)* T - 1P OFF-ON, 1P ON-OFF V - 2P OFF-(ON), 2P ON-(OFF)* U - 2P OFF-ON, 2P ON-OFF	0 - 2A, 48VDC	N - Nickel Plated S - Stainless Steel	N - Nickel Plated S - Stainless Steel	NONE - Silver G - Gold	NONE - Non-Illuminated 2 - Dot Illumination 3 - Ring Illumination	NONE - Non-Illuminated 0 - White 1 - Red 2 - Orange 3 - Green 4 - Blue 5 - Yellow F - Red/Orange G - Red/Green H - Red/Blue J - Red/Yellow K - Orange/Green L - Orange/Blue M - Orange/Yellow	NONE - Non-Illuminated 1 - Base Voltage <sup>‡</sup> 3 - 6V 4 - 12V 5 - 24V 6 - 125V 7 - 250V

**NOTES:**  
 \* ( ) denotes function is momentary  
<sup>‡</sup> Base voltage for LED colors red, yellow, and orange is 1.8V @ 20mA  
<sup>‡</sup> Base voltage for LED colors blue, green and white is 2.8V @ 20mA

*Specifications subject to change without notice*



**E-SWITCH®**

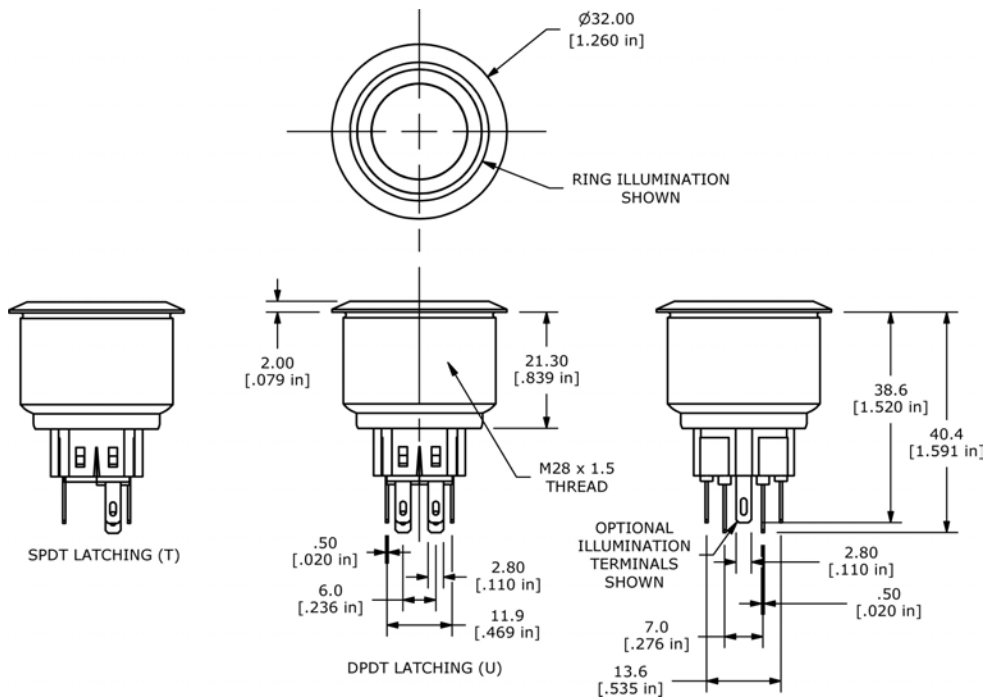
www.e-switch.com

800.867.2717

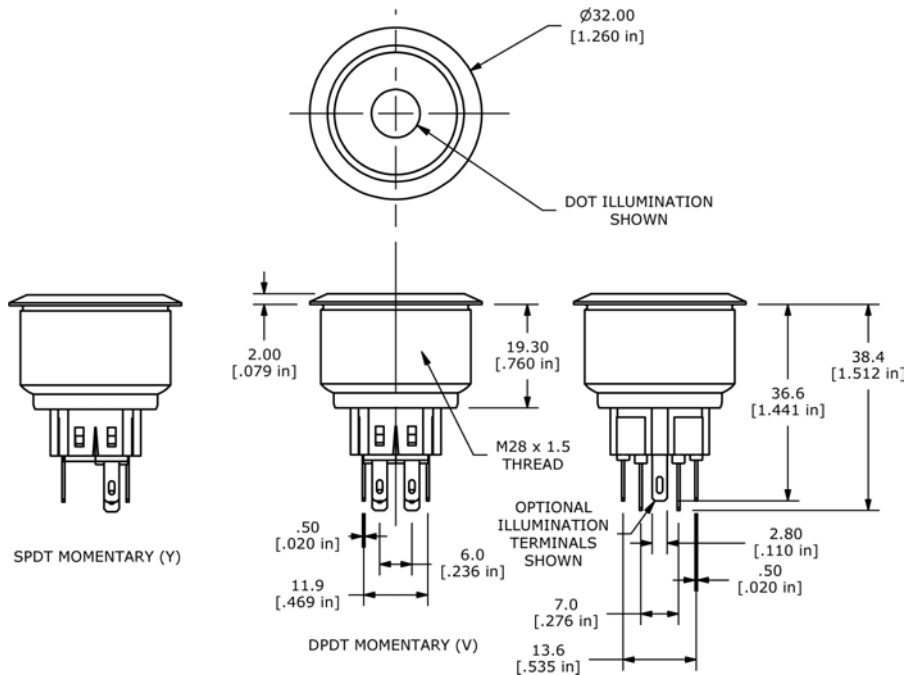
2

# PV9 SERIES ANTI-VANDAL SWITCH

## BODY DIMENSIONS



LATCHING SWITCH DIMENSIONS



MOMENTARY SWITCH DIMENSIONS

ANTI-VANDAL SWITCHES

DETECTOR SWITCHES

DIP SWITCHES

KEYLOCK SWITCHES

NAVIGATION SWITCHES

PUSHBUTTON SWITCHES

ROCKER SWITCHES

ROTARY SWITCHES

SLIDE SWITCHES

SNAP ACTION SWITCHES

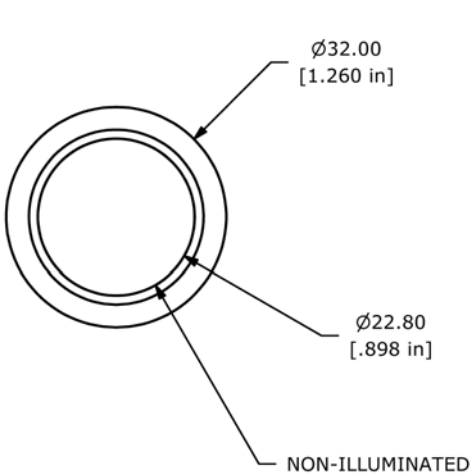
TACTILE SWITCHES

TOGGLE SWITCHES

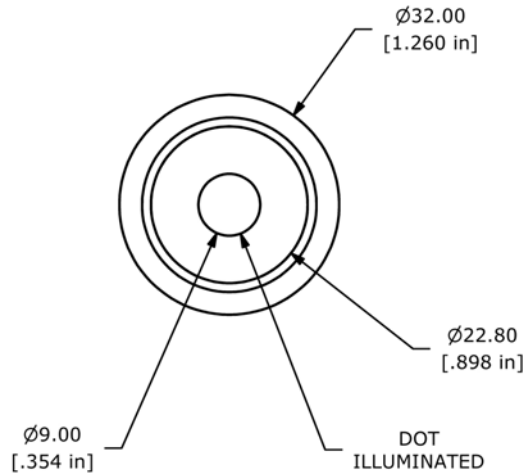
CAP OPTIONS



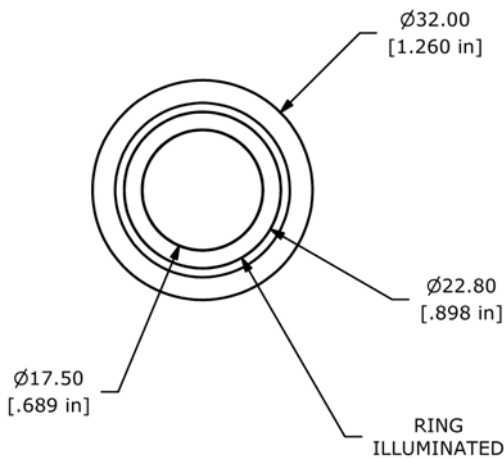
## ACTUATOR OPTIONS



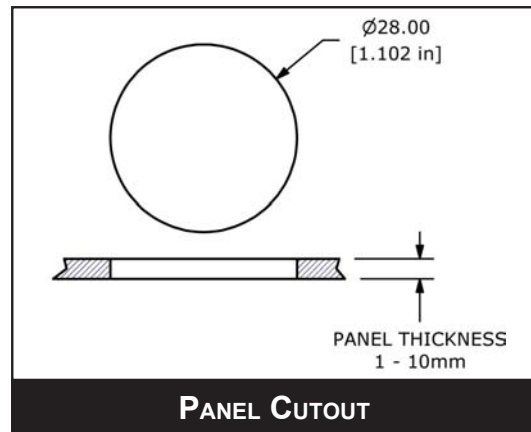
NON-ILLUMINATED



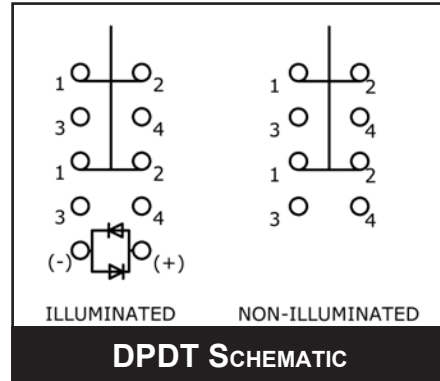
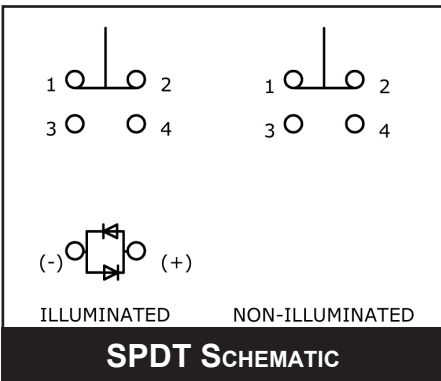
DOT ILLUMINATED



RING ILLUMINATED



## SCHEMATICS



# Mouser Electronics

Authorized Distributor

Click to View Pricing, Inventory, Delivery & Lifecycle Information:

## E-Switch:

[PV9F2U0SS-341](#) [PV9F2V0SS-311](#) [PV9F2V0SS-341](#) [PV9F2V0SS-331](#) [PV9F2T0SS-215](#) [PV9F2U0SS-331](#)