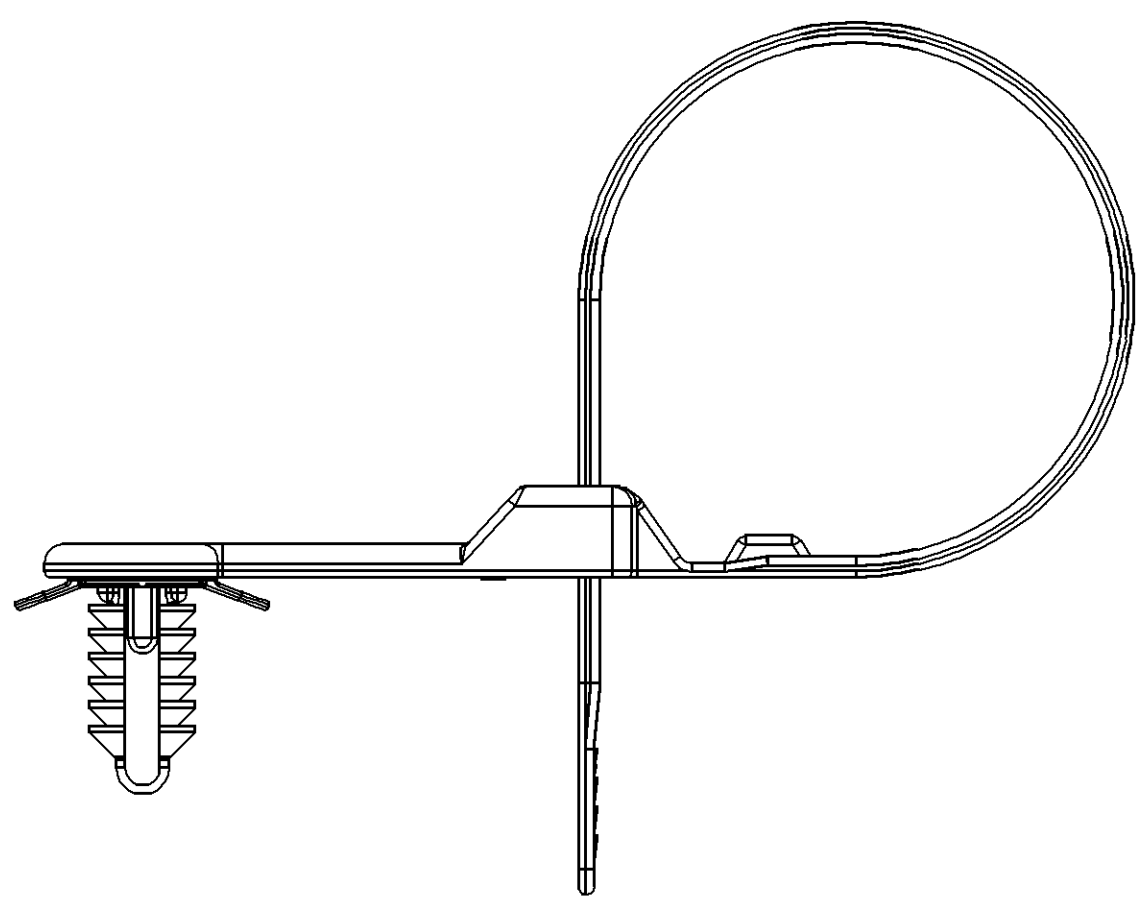


SYMBOL DEFINITION		
A DIMENSION WITHOUT AN INSPECTION REPORT SYMBOL DOES NOT REQUIRE INSPECTION. IT MAY BE CONTROLLED ON THE INDIVIDUAL COMPONENT DRAWING.	TOTAL NO OF INSPECTIONS REQUIRED	10
	LAST NO. USED	11

MISSING SYMBOLS					REVISION HISTORY				AUTH	DR	AP/VD
DATE	STG	REV	IN/P	CHG	ZONE						
19SE05	R	03	-	-		10	10	195E05	RH	RH	00D
27JUL06	R	03	AA	-				283072	JBD	AUG	EJH
20SE06	R	04	-	-				284708	AGB	CJP	6D

- NOTES**
- UNLESS OTHERWISE SPECIFIED AND/OR INDICATED:
DIMENSIONS ARE TO FACE OF VIEW SHOWN AND AUTOMATICALLY ROUNDED BY COMPUTER FOR INSPECTION (SEE MATH MODEL FOR PRECISE DIMENSIONS). FOR ALL OTHER DIMENSIONS NOT SHOWN BUT REQUIRED FOR TOOL BUILD, SEE MATH MODEL FOR PRECISE TOOL PATH DATA.
 - TOOL CAVITY IDENTIFICATION SHOULD BE LOCATED AS CLOSE TO THE GATE AS POSSIBLE. (3.0)X(0.1) RAISED CHARACTERS AS SHOWN TO BE LOCATED ON ANY EXTERIOR SURFACE.
 - MATERIAL RECYCLING CODE PER ISO 11469. (1.5)X(0.1) CHARACTERS AS SHOWN TO BE LOCATED ON ANY EXTERIOR SURFACE.
 - THIS PART IS NOT CONTROLLED FOR AUTOMATIC FEEDING.
 - (1.5)X(0.1) DELPHI CORPORATE BRAND TO BE LOCATED ON ANY EXTERIOR SURFACE, PREFERABLY VISIBLE AT FINAL ASSEMBLY.
 - FINISH TO BE EDM OF 33-36 VDI OR EQUIVALENT.
 - THIS CABLE TIE IS DESIGNED TO BE USED FOR Ø 6.3 MM HOLE WITH PANEL THICKNESS OF 0.8-6.3 MM.
 - WIRE ASSEMBLY DATA:
MINIMUM - APPROXIMATELY 4-6 MM BUNDLE DIA DEPENDING ON HARNESS COMPOSITION
MAXIMUM - 30 MM DIA TAPED BUNDLE
25 MM DIA CONDUIT SECURED BUNDLE
 - TEMPERATURE RANGE: -40°C TO 125°C
- ASSEMBLY PROCESSING NOTES**
- APPLY WITH MANUAL PANDUIT GUN GS2B OR EQUIVALENT GUN SETTING AT STANDARD AND 6-8 RANGE. IF PNEUMATIC GUN: PANDUIT GUN PPTS, GUN SETTING SAME AS ABOVE.



DELPHI
DELPHI PACKARD ELECTRIC SYSTEMS
WVREN, OH

DR	DATE
APV01 ROBERT HURD	19SE05
APV02 ROBERT HURD	19SE05
APV03 GARY DETTER	20SE05
APV04	
APV05	

SUBSTANCES OF CONCERN AND RECYCLED CONTENT PER DELPHI 10947001

WATERLON W359201B PA66 HS 1M GR4 DK

DRAWING NAME
MOUN WIRE TIE CLIP HD NAIL

DRAWING NUMBER
15497753

SIZE	SCALE	FRM NO	SHEET NO	STG	REV	N/P
A0	2:1	1	OF 2	1	OF 1	R 04

DIMENSIONAL RANGE (MM)		SHORT ET
FROM	> 0	> 30
TO	> 20	> 70
	> 30	> 100
	> 70	> 150
	> 100	> 200
	> 150	> 250
	> 200	> 300
	> 250	> 300
	> 300	> 400
TOLERANCE UNLESS OTHERWISE SPECIFIED		
	±0.15	±0.2
	±0.3	±0.4
	±0.5	±0.6
	±0.8	±1
	±1.2	±1.2
ANGULAR TOLERANCE 2°		

Date: 09-24-08 Time: 13:23

Mouser Electronics

Authorized Distributor

Click to View Pricing, Inventory, Delivery & Lifecycle Information:

[Aptiv:](#)

[15497753](#)