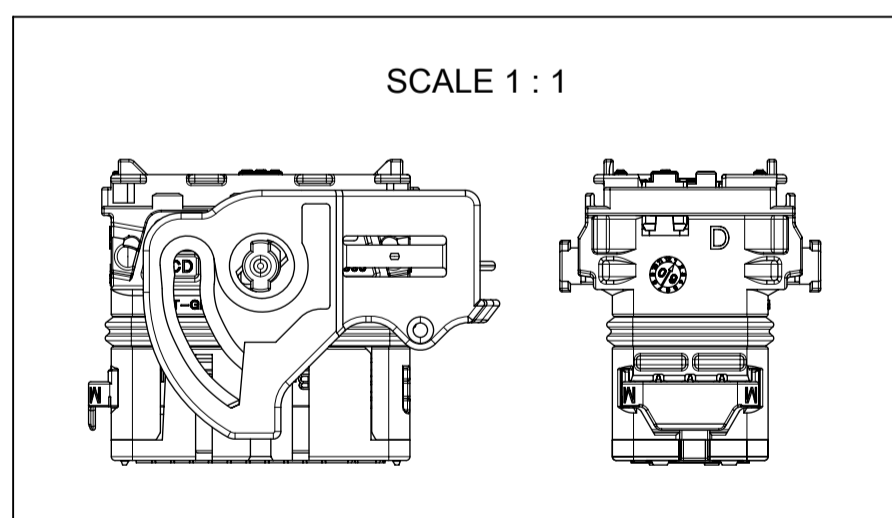
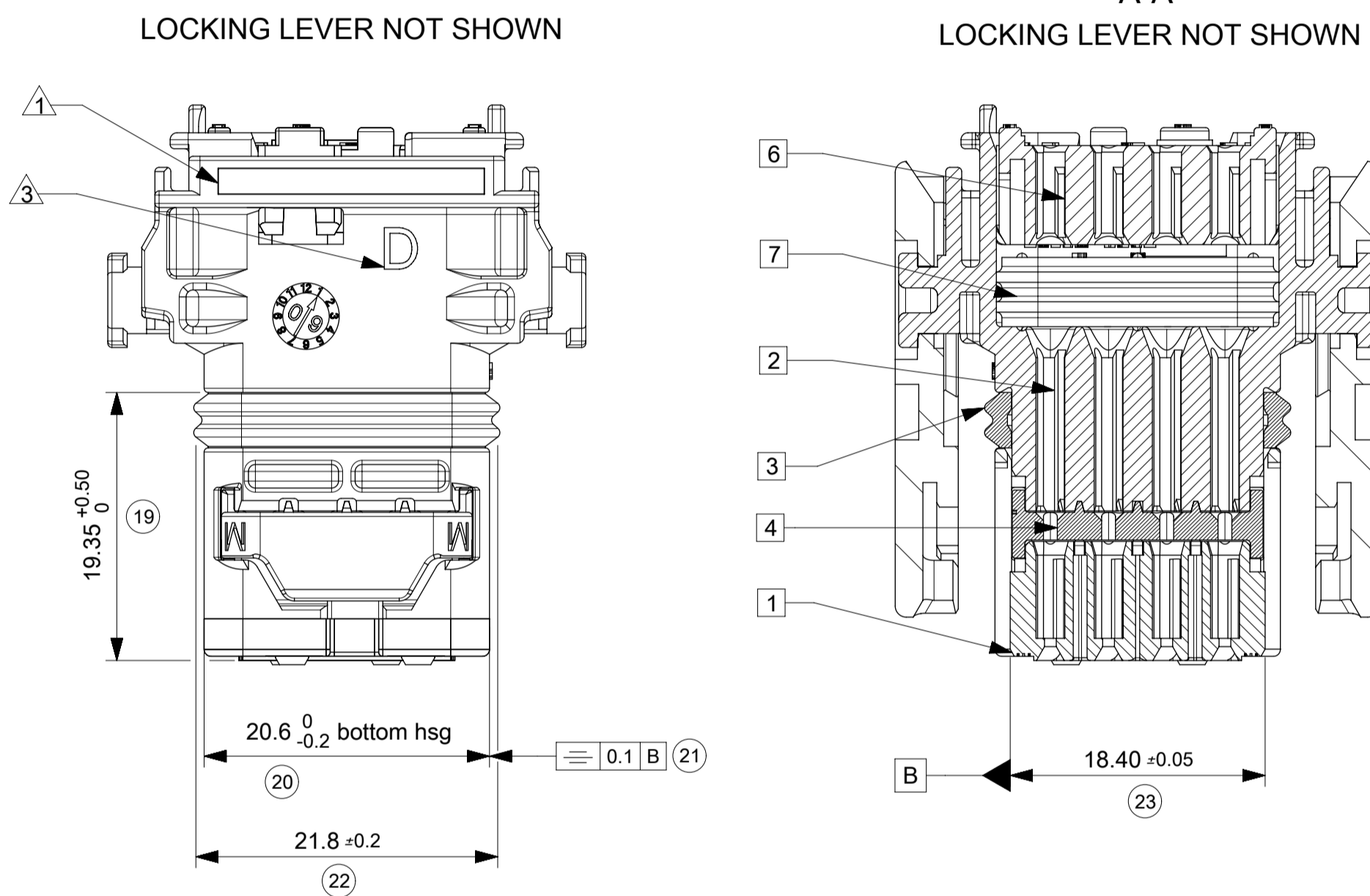
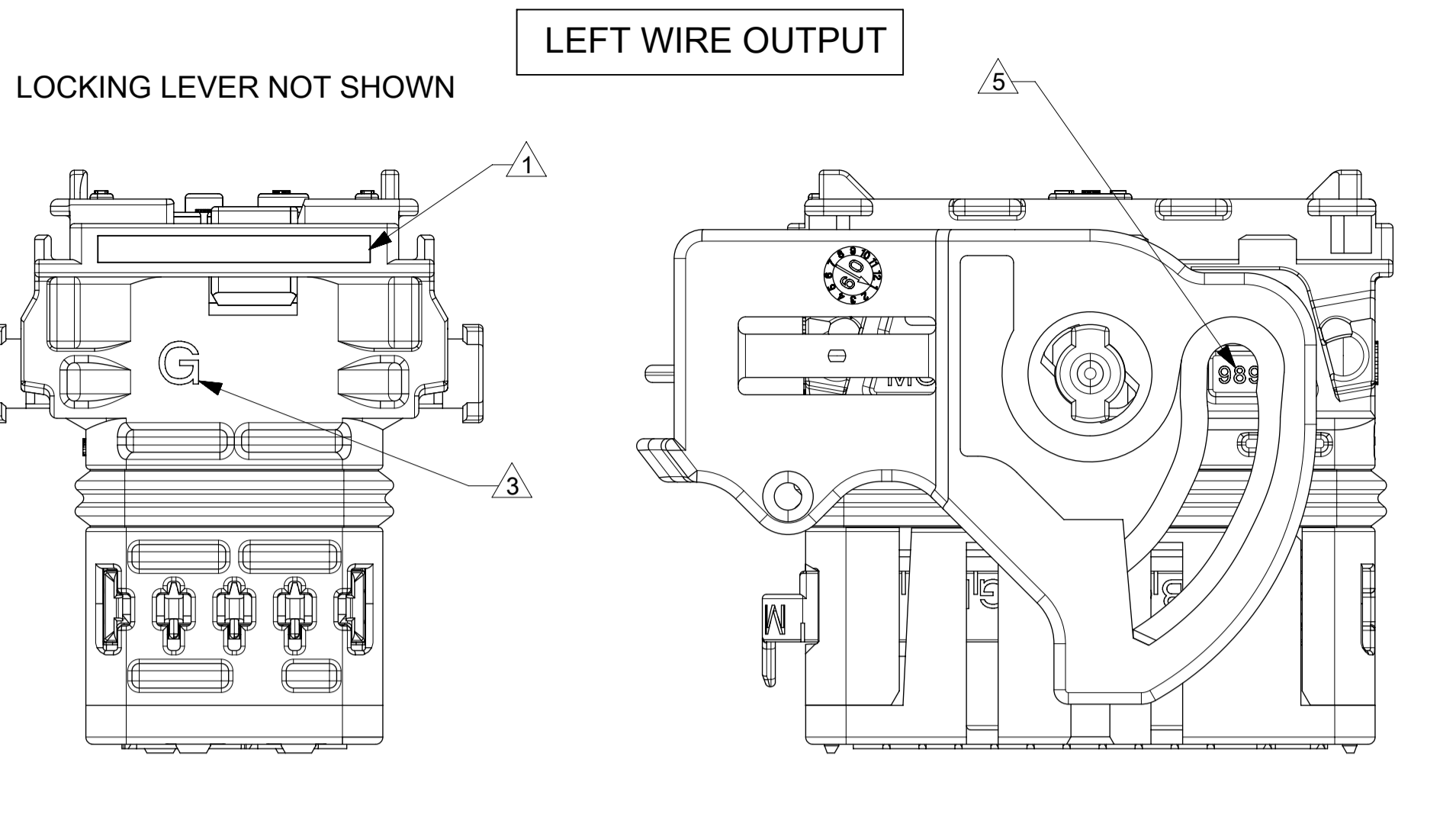
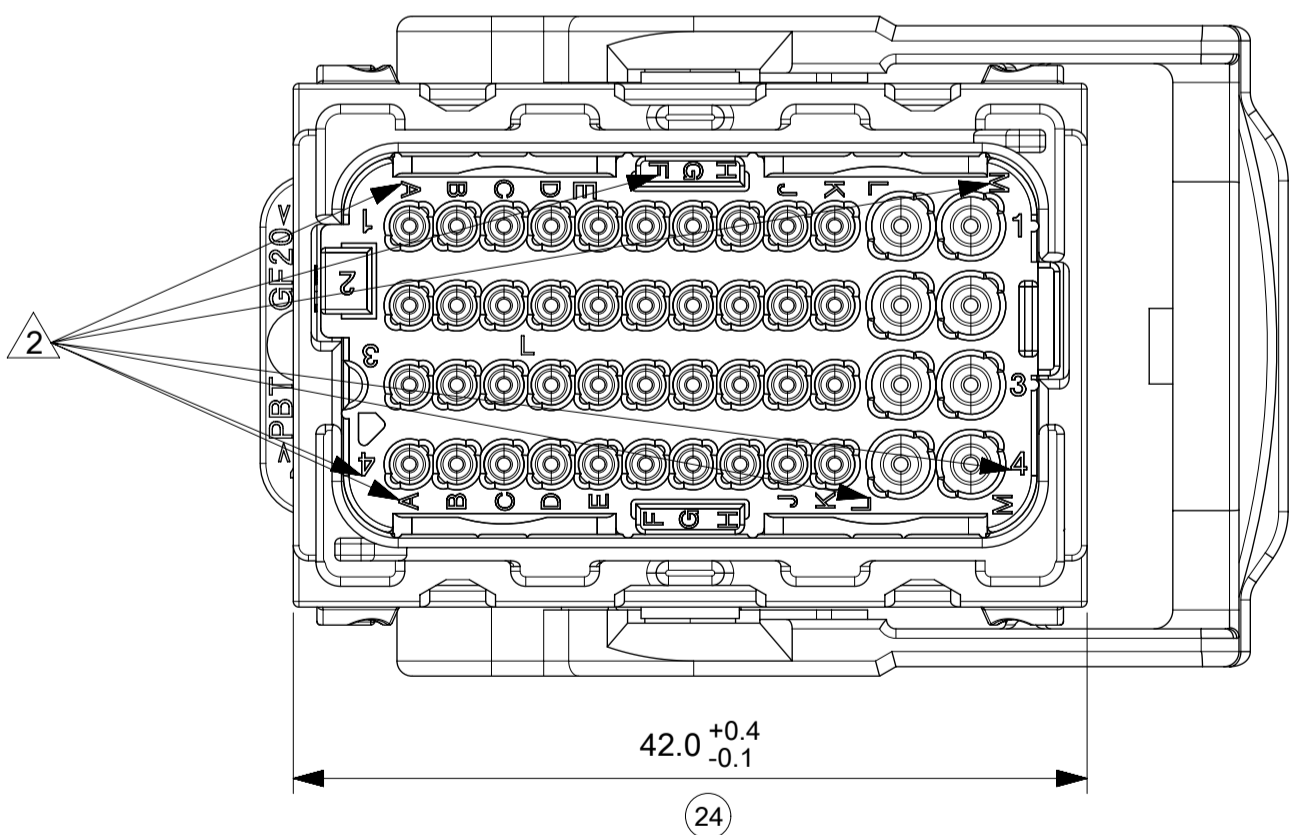
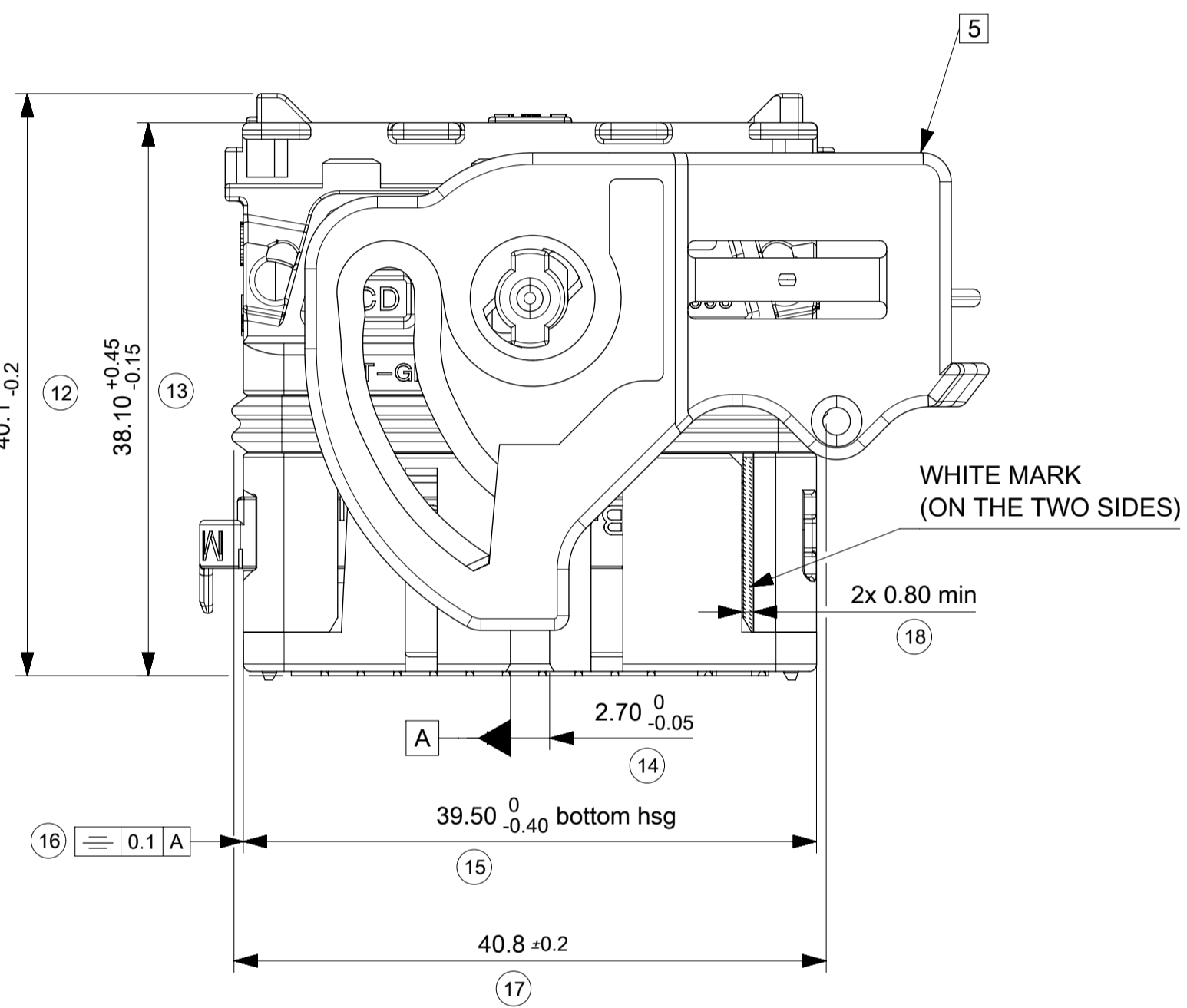
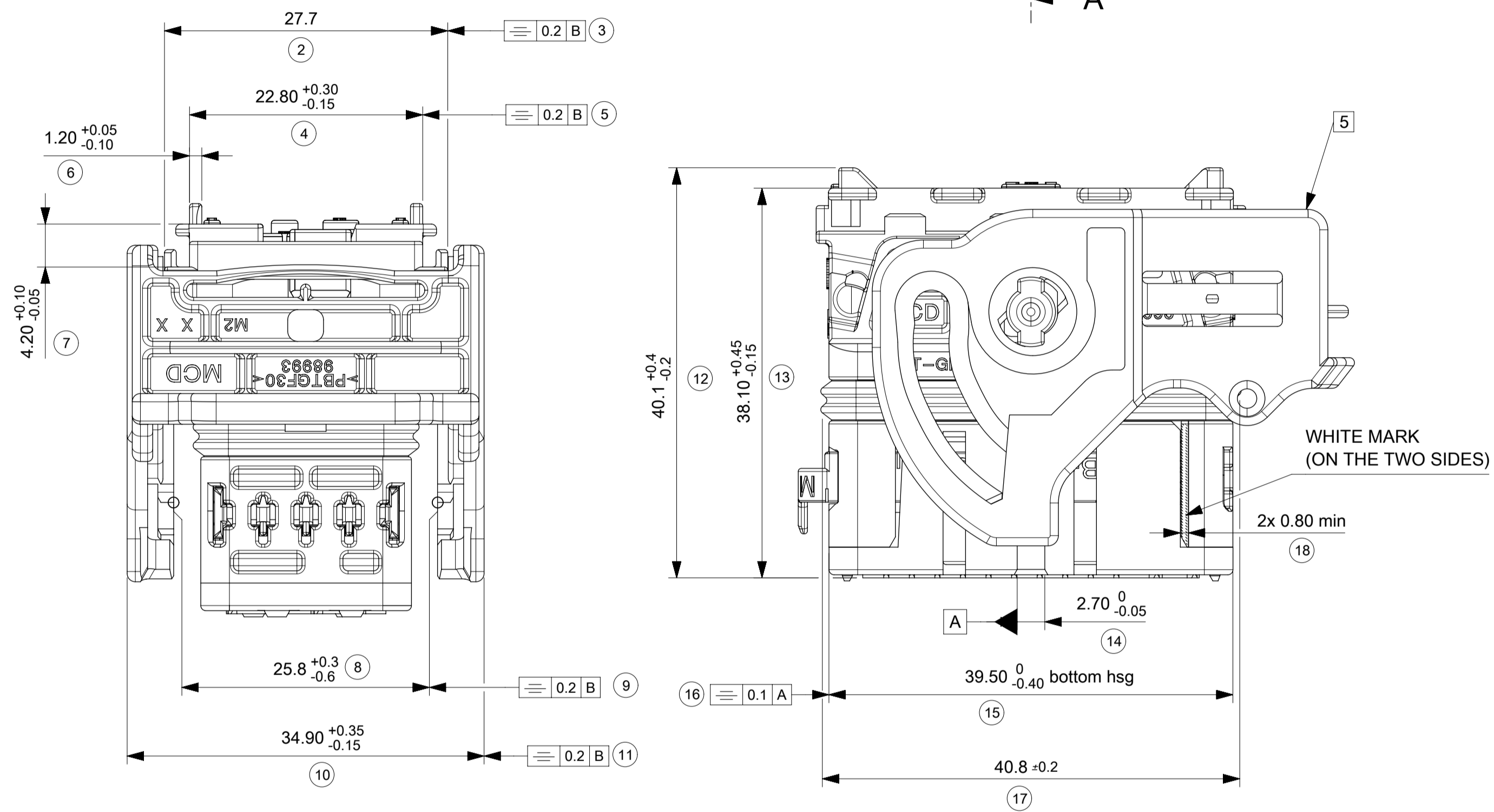


4x R2.8  $^{+0.2}_{-0.1}$  Bottom hsg



LEFT WIRE OUTPUT	
MATERIAL NUMBER	COLOR
0643201311	BLACK
0643201318	GREY
0643201319	BROWN
0643201315	GREEN

RIGHT WIRE OUTPUT	
MATERIAL NUMBER	COLOR
0643203311	BLACK
0643203318	GREY
0643203319	BROWN
0643203315	GREEN

- NOTES:
- FOR ILLUSTRATION PURPOSE THE FEMALE HOUSING SHOWN IS THE RIGHT WIRE OUTPUT VERSION CODING 1
  - APPLICATION SPECIFICATION: AS-64319-002
  - WIRES EXTERNAL DIAMETER USED:  
FOR CP0.6 TERMINAL: USE WIRES WITH AN EXTERNAL DIAMETER BETWEEN  $\varnothing 1.25\text{MM}$  MIN AND  $\varnothing 1.90\text{MM}$  MAX  
FOR CP1.5 TERMINAL: USE WIRES WITH AN EXTERNAL DIAMETER BETWEEN  $\varnothing 1.40\text{MM}$  MIN AND  $\varnothing 2.80\text{MM}$  MAX
  - THE CONNECTOR FITS WITH WIRE CAP (48 WAY) MOLEX P/N 0643201301
  - BLIND PLUG FOR 0.6 AND 1.5 CAVITIES (MOLEX P/N 0643251010 AND 0643251023)
  - DELIVERED PRODUCT WEIGHT: 33.8 g

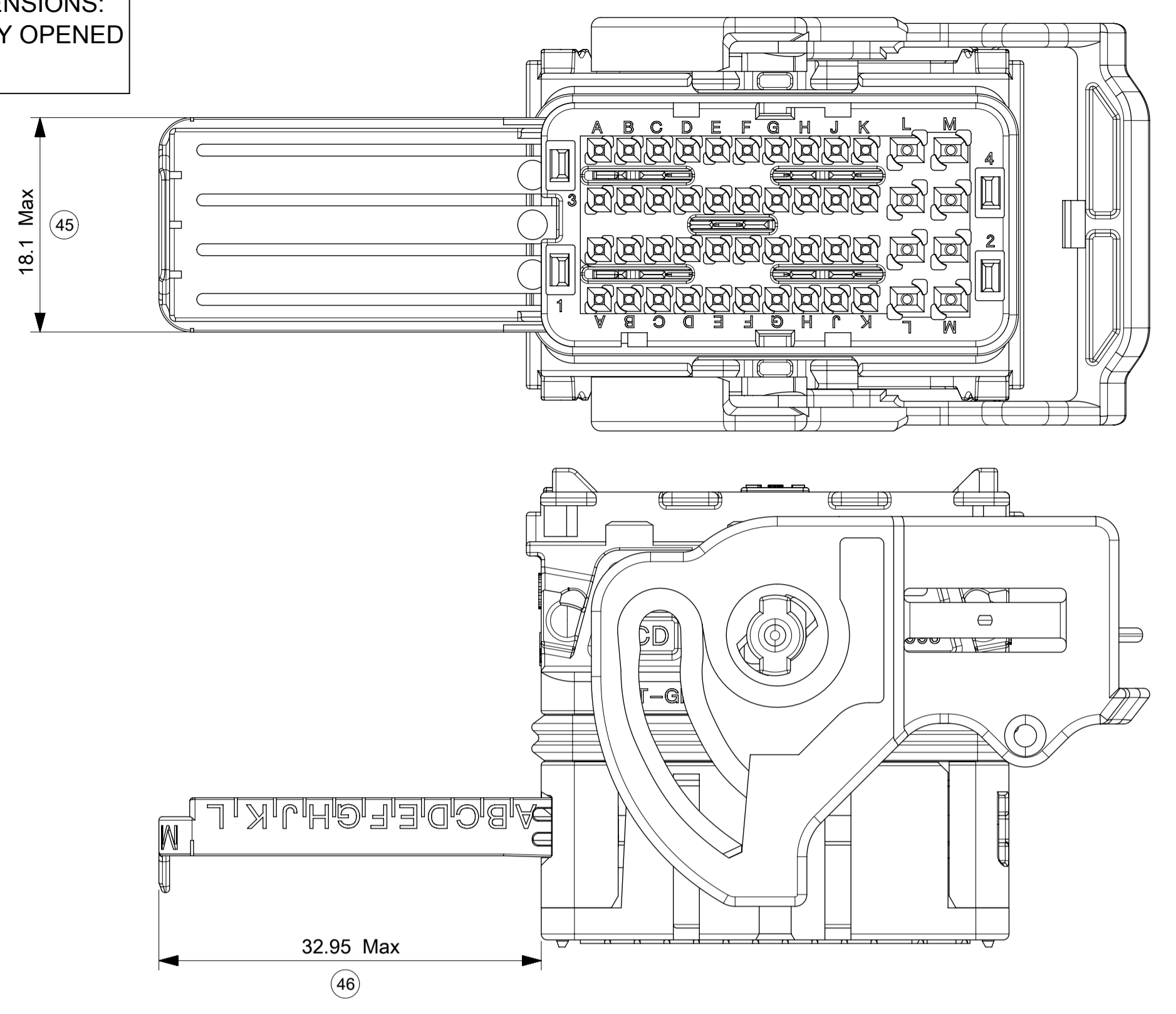
7	MAT SEAL	Silicon	RED
6	BACK GRID 48W	>PBT-GF20<	GREY
5	LOCKING LEVER 48W	>PBT-GF30<	BLACK
4	SECONDARY LOCK	>PBT-GF20<	GREY
3	PERIPHERAL SEAL 48W	Silicon	RED
2	BACK PART	>PBT-GF20<	BLACK
1	FRONT PART	>PBT-GF20<	COLOR LINKED TO KEYING
REF.	DESIGNATION	MATERIAL	COLOR

- MARKINGS :
- 1 - Assembled part tracability  
Year + Day
  - 2 - Terminal cavities identification
  - 3 - Lever position indication:  
"D" LETTER VISIBLE=  
part with "RIGHT WIRE OUTPUT"  
"G" LETTER VISIBLE=  
part with "LEFT WIRE OUTPUT"
  - 4 - Supplier identification
  - 5 - Material identification

THIS DRAWING CONTAINS INFORMATION THAT IS PROPRIETARY TO MOLEX ELECTRONIC TECHNOLOGIES, LLC AND SHOULD NOT BE USED WITHOUT WRITTEN PERMISSION	
DIMENSION UNITS	SCALE
mm	2.5:1
GENERAL TOLERANCES (UNLESS SPECIFIED)	
ANGULAR TOL	$\pm 2'$
4 PLACES	$\pm 0.1$
3 PLACES	$\pm 0.1$
2 PLACES	$\pm 0.1$
1 PLACE	$\pm 0.1$
0 PLACES	$\pm$
DRAFT WHERE APPLICABLE MUST REMAIN WITHIN DIMENSIONS	FIRST ANGLE PROJECTION
DRAWING SERIES	
A1-SIZE	64320
CURRENT REV DESC: NX-REMASTERING	
EC NO: 178472	
DRWN: GMANIVANNAN	2018/06/27
CHK'D: OPLESSIS	2018/07/06
APPR: SLAFAURE	2018/07/06
INITIAL REVISION:	
DRWN: T.BADAROUX	2017/07/16
APPR: C.BOUCAN	2007/07/16
DOCUMENT NUMBER	
SD-64320-001	
DOC TYPE   DOC PART   REVISION	
PSD	001   H
MATERIAL NUMBER	
SEE CHARTS	
CUSTOMER	
GENERAL MARKET	
SHEET NUMBER	
1 OF 2	

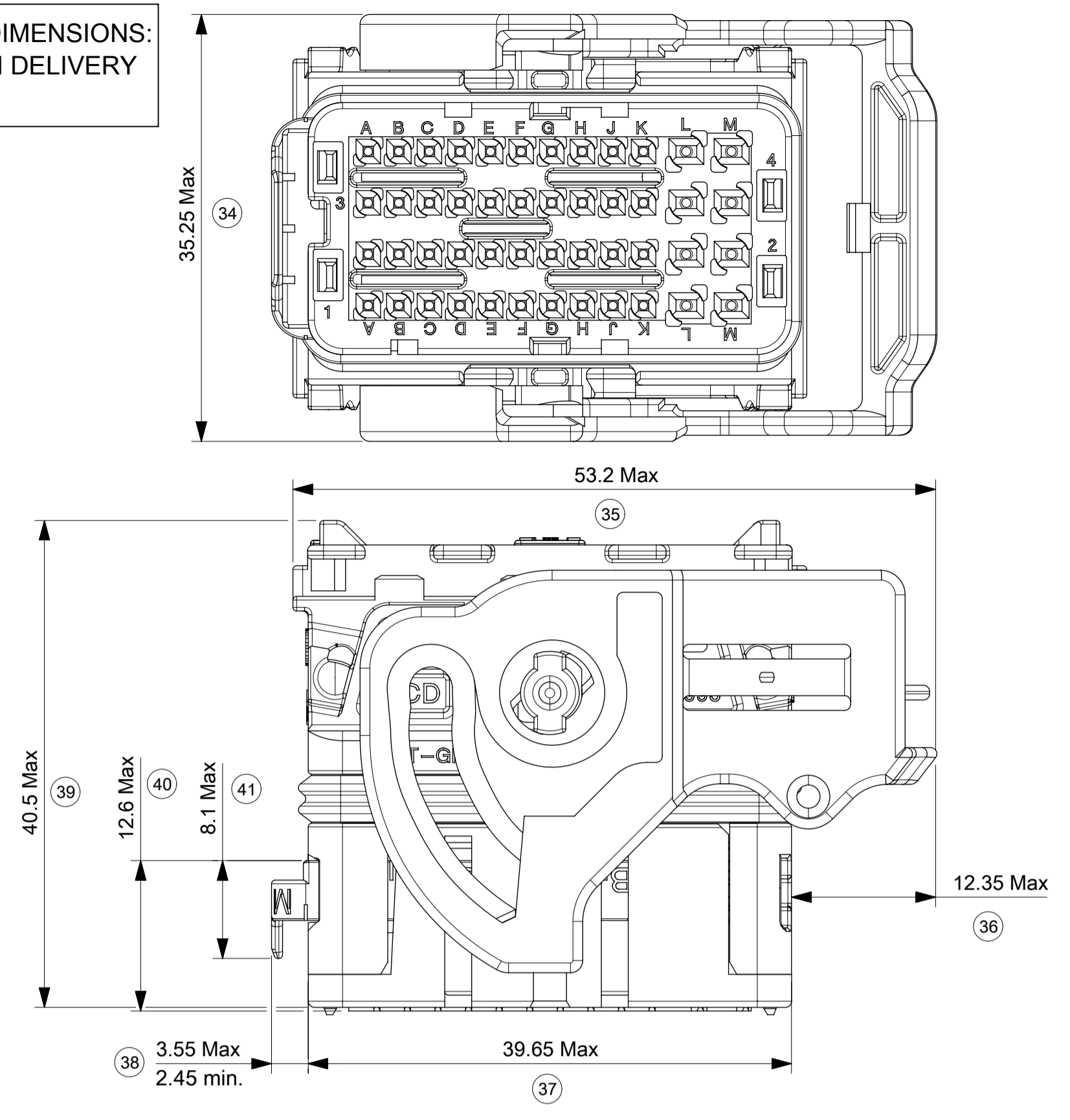
CONNECTOR OVERALL DIMENSIONS:  
SECONDARY LOCKING FULLY OPENED  
FOR TERMINAL INSERTION

RIGHT WIRE OUTPUT

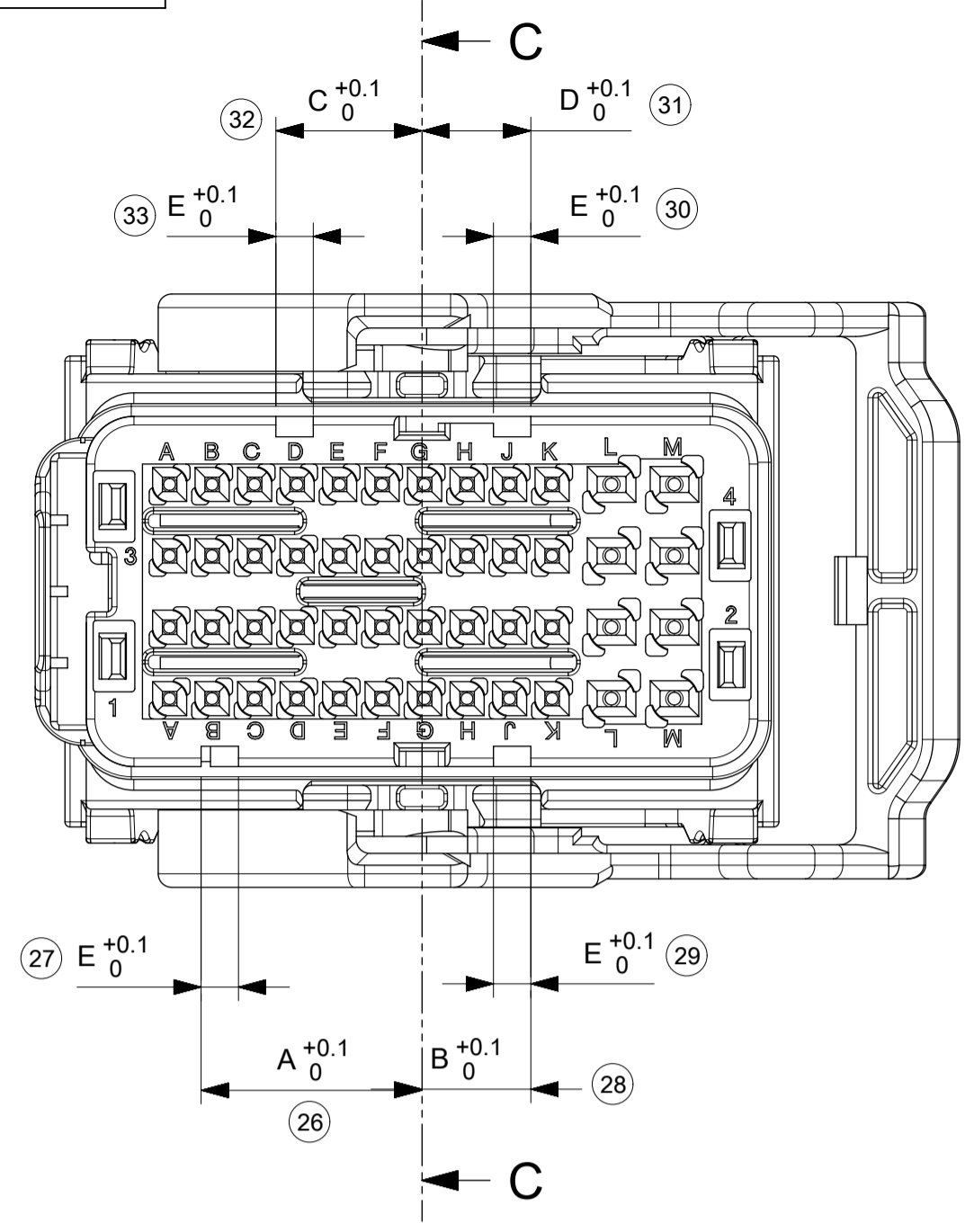


CONNECTOR OVERALL DIMENSIONS:  
SECONDARY LOCKING IN DELIVERY  
POSITION

RIGHT WIRE OUTPUT

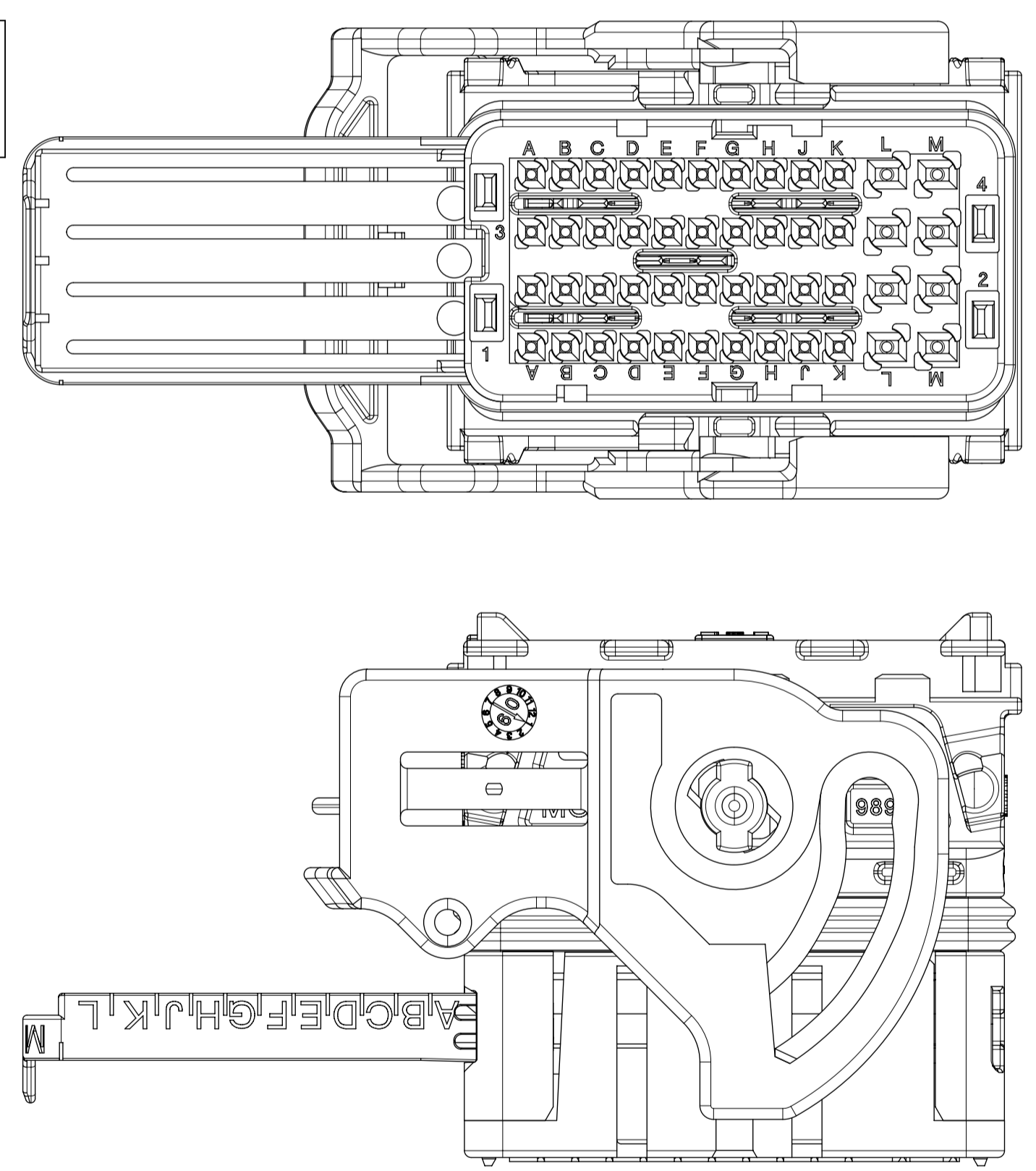


CODING POSITION



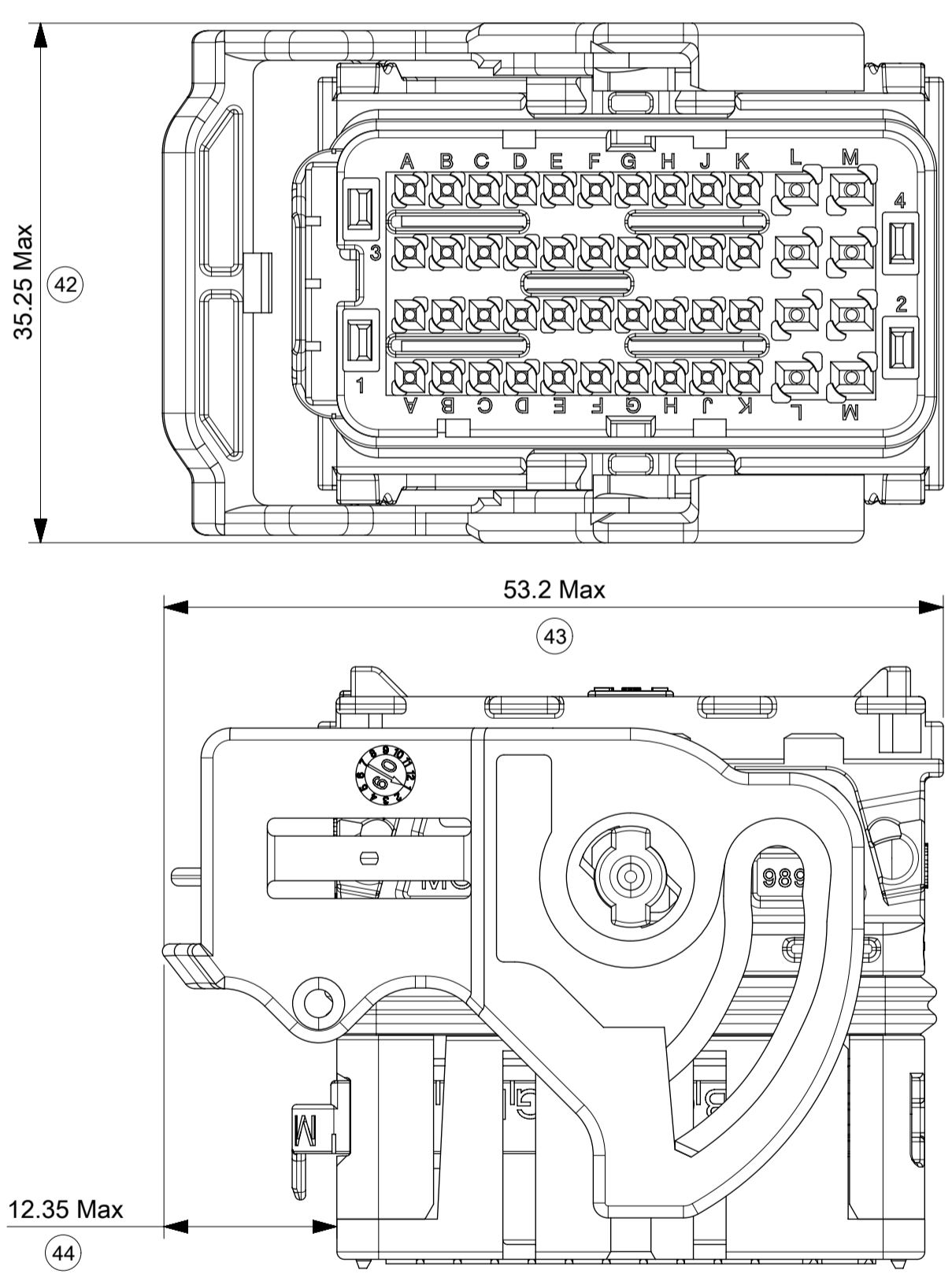
CONNECTOR OVERALL DIMENSIONS:  
SECONDARY LOCKING FULLY OPENED  
FOR TERMINAL INSERTION

LEFT WIRE OUTPUT

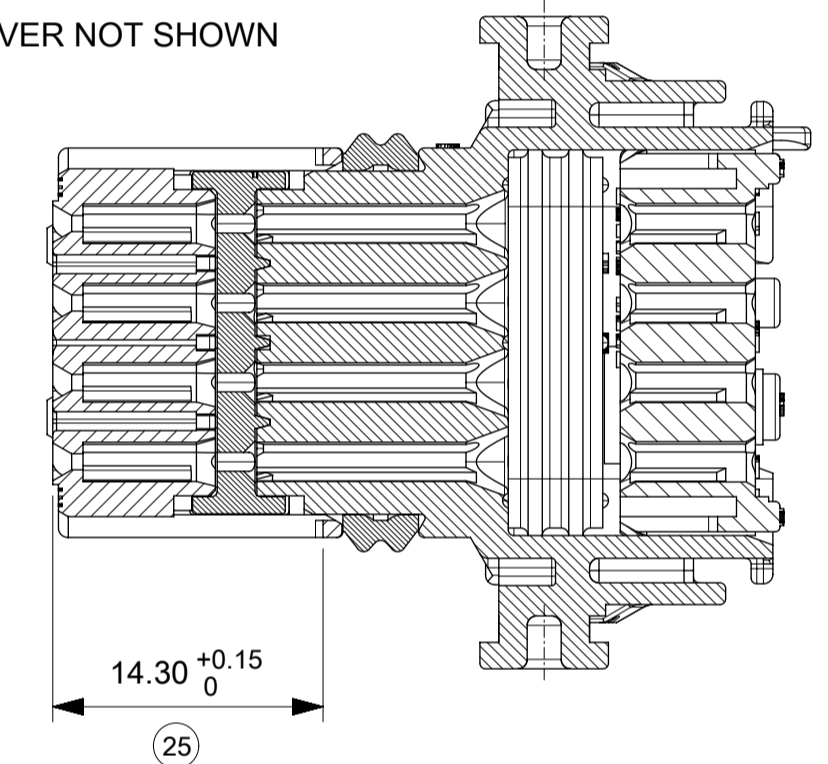


CONNECTOR OVERALL DIMENSIONS:  
SECONDARY LOCKING IN DELIVERY  
POSITION

RIGHT WIRE OUTPUT



C-C  
LOCKING LEVER NOT SHOWN



COLOR	CODIND	A	B	C	D	E
BLACK	1	13	6.4	8.6	6.4	2.2
GREY	2	10.8	8.6	13	8.6	2.2
BROWN	3	8.6	10.8	13	13	2.2
GREEN	4	10.8	13	6.4	6.4	2.2

TERMINALS USED

CAVITY N°	FEMALE TERMINALS (Section mm2)	PLATING	MOLEX P/N°	min / MAX WIRE INSULATION DIAMETER (mm)
A1 to K1 A2 to K2 A3 to K3 A4 to K4	CP 0.6 0.35mm2	Tin plated	0643221019	∅1.25 min / ∅1.40 Max
		Gold plated	0643221229	
	CP 0.6 0.5mm2	Tin plated	0643221039	∅1.40 min / ∅1.70 Max
		Gold plated	0643221239	
L1 to L4 M1 to M4	CP 0.6 0.75mm2	Tin plated	0643221029	∅1.60 min / ∅1.90 Max
		Gold plated	0643221219	
	CP 1.5 0.5mm2 to 1mm2	Tin plated	0643231029	∅1.40 min / ∅2.15 Max
		Gold plated	0643231319	
CP 1.5 >1mm2 to 2mm2	Tin plated	0643231039	∅2.10 min / ∅2.80 Max	
	Gold plated	0643231219		

THIS DRAWING CONTAINS INFORMATION THAT IS PROPRIETARY TO MOLEX ELECTRONIC TECHNOLOGIES, LLC AND SHOULD NOT BE USED WITHOUT WRITTEN PERMISSION

DIMENSION UNITS: mm  
SCALE: 2.5:1  
GENERAL TOLERANCES (UNLESS SPECIFIED):  
ANGULAR TOL ± 2°  
4 PLACES ± 0.1  
3 PLACES ± 0.1  
2 PLACES ± 0.1  
1 PLACE ± 0.1  
0 PLACES ±  
DRAFT WHERE APPLICABLE MUST REMAIN WITHIN DIMENSIONS

CURRENT REV DESC: NX-REMASTERING  
EC NO: 178472  
DRWN: GMANIVANNAN 2018/06/27  
CHK'D: OPLESSIS 2018/07/06  
APPR: SLAFAURE 2018/07/06  
INITIAL REVISION:  
DRWN: T.BADAROUX 2007/07/16  
APPR: C.BOUCHAN 2007/07/16

**molex**

CMC CONNECTOR 48 WAY  
MAT SEAL VERSION

PRODUCT CUSTOMER DRAWING

DOCUMENT NUMBER	DOC TYPE	DOC PART	REVISION
SD-64320-001	PSD	001	H

MATERIAL NUMBER	CUSTOMER	SHEET NUMBER
SEE SHEET 1	GENERAL MARKET	2 OF 2