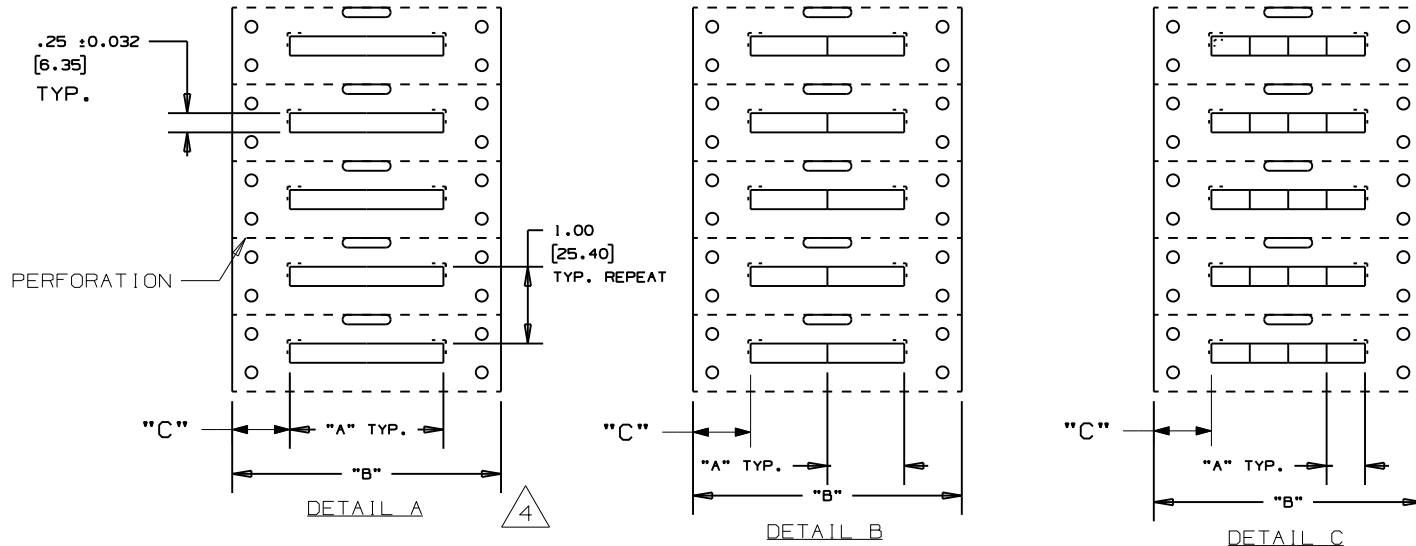
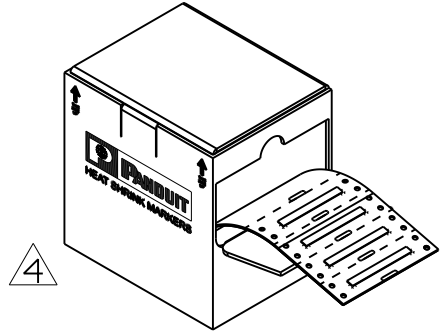


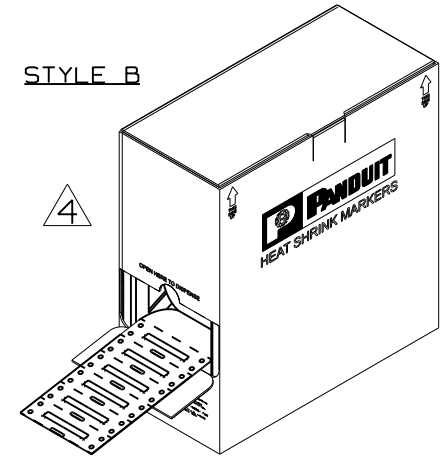
THIS COPY IS PROVIDED ON A RESTRICTED BASIS AND IS NOT TO BE USED IN ANY WAY DETRIMENTAL TO THE INTERESTS OF PANDUIT CORP.



STYLE A



STYLE B



PART NUMBER	SEE DETAIL	"A" ± .062	"B"	"C"	MARKER ACROSS	TUBING COLOR	SEE STYLE
H200X025F1T	A	2.00 [ 50.80 ]	3.50 [ 88.90 ]	.75 [ 19.1 ]	1	WHITE	A
H100X025F1T	B	1.00 [ 25.40 ]	3.50 [ 88.90 ]	.75 [ 19.1 ]	2	WHITE	
H050X025F1T	C	0.50 [ 12.70 ]	3.50 [ 88.90 ]	.75 [ 19.1 ]	4	WHITE	
H150X025F1T	A	1.50 [ 38.10 ]	3.50 [ 88.90 ]	1.00 [ 25.4 ]	1	WHITE	
H075X025F1T	B	0.75 [ 19.05 ]	3.50 [ 88.90 ]	1.00 [ 25.4 ]	2	WHITE	
H200X025F2T	A	2.00 [ 50.80 ]	3.50 [ 88.90 ]	.75 [ 19.1 ]	1	YELLOW	A
H100X025F2T	B	1.00 [ 25.40 ]	3.50 [ 88.90 ]	.75 [ 19.1 ]	2	YELLOW	
H050X025F2T	C	0.50 [ 12.70 ]	3.50 [ 88.90 ]	.75 [ 19.1 ]	4	YELLOW	
H200X025F1T-B	A	2.00 [ 50.80 ]	3.50 [ 88.90 ]	.75 [ 19.1 ]	1	WHITE	B
H100X025F1T-B	B	1.00 [ 25.40 ]	3.50 [ 88.90 ]	.75 [ 19.1 ]	2	WHITE	
H050X025F1T-B	C	0.50 [ 12.70 ]	3.50 [ 88.90 ]	.75 [ 19.1 ]	4	WHITE	
H150X025F1T-B	A	1.50 [ 38.10 ]	3.50 [ 88.90 ]	1.00 [ 25.4 ]	1	WHITE	
H075X025F1T-B	B	0.75 [ 19.05 ]	3.50 [ 88.90 ]	1.00 [ 25.4 ]	2	WHITE	

NOTES:  
1. DIMENSION IN ( ) ARE IN MILLIMETERS.

CAD FILENAME/LAYERS 100923NM\_DC\_C10216/01E

PANDUIT CORP. TINLEY PARK, ILLINOIS

CUSTOMER DRAWING H\*\*\*X025F\*\* OPTIMUM  
COMPUTER PRINTABLE HEAT SHRINK MARKERS

UNLESS OTHERWISE SPECIFIED,  
DIMENSIONAL TOLERANCES ARE:  
(.X) ± .12 (.XXX) ± .020  
(.XX) ± .062 ANGLES ±

UNLESS OTHERWISE SPECIFIED,  
ALL DIMENSIONS ARE GIVEN  
IN INCHES, THIRD ANGLE PROJECTION.

VOID

(.XX) ± .032 WAS (.XX) ± .015 GMUHS WAS GMHS

REVISED VIEW OF BOX, TOL. AND NOTE 1 & 2.

DRAWING RELEASE.

5593

R

5219

R

4859

R

0000

R

DRAWN BY RVU

DATE 9-29-04

CHK'D

MAT'L:

HEATSHRINK  
TUBING GMHS31,  
3.5 WIDE LINER

SCALE

NTS

DRAWING NO.

C10216

DWG

A

SIZE

REV DATE BY CHK

DESCRIPTION

ECN - R

CUST

SUP

GMBH

4

# Mouser Electronics

Authorized Distributor

Click to View Pricing, Inventory, Delivery & Lifecycle Information:

[Panduit:](#)

[H100X025F1T](#) [H200X025F2T](#)