

# RED INDICATES ORIGINAL

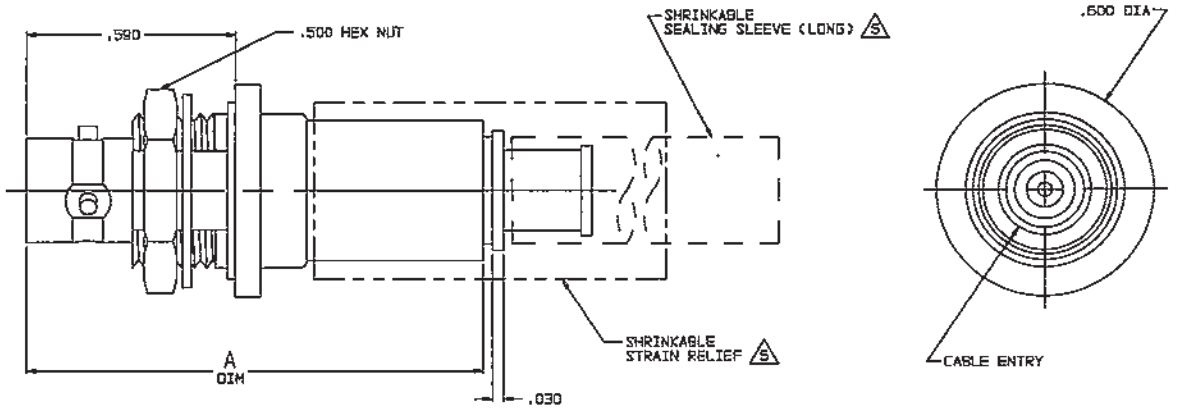
DATA CONTAINED IN THIS DOCUMENT IS PROPRIETARY TO TROMPETER ELECTRONICS INC. AND SHALL NOT BE DISCLOSED, COPIED OR USED FOR REPRODUCTION OR MANUFACTURE WITHOUT EXPRESS WRITTEN PERMISSION.

REV		ED	DESCRIPTION	DWN	APPROVED	DATE
L	12990	ADDED	-224, AND -225; SEE ECD	DWN	K.M. GAA.	5/18/98

DASH NO	CABLES ACCOMMODATED	A DIM	B HEX	ASSEMBLE PER
-201	M17/176-00002	1.164	.255	TAI-143
-202	TWC-78-1			
-203	TWC-124-1A			
-204	10502, RAYCHEM			
-205	TWAC-78-1F2			
-206	782600130, RAYCHEM			
-207	89310 BELDEN			
-208	202-3927 MICRODDT			
-209	202-3942 MICRODDT			
-210	8451 BELDEN			
-211	202-3934 MICRODDT			
-212	2824E0114, RAYCHEM			
-213	TWC-78-2			
-214	TWC-124-2			
-215	BL-882 TIMES			
-216	BL-1242 TIMES			
-217	GC875TM24H, GRUMMAN			
-218	EPD 221889, RAYCHEM			
-219	252601114, RAYCHEM			
-220	GC875RR1, GRUMMAN	1.164	.255	TAI-143
-221	10514, RAYCHEM			
-222	10513, RAYCHEM			
-223	HMS2-1149, HUGHES			
-224	TWCP-124-3			
-225	PS665PL, PRIME STOCK			

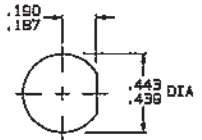
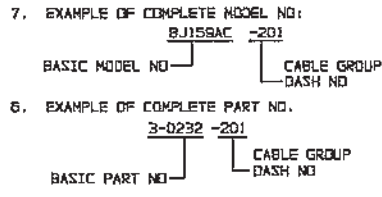
DASH NO	CABLES ACCOMMODATED	A DIM	B HEX	ASSEMBLE PER
-301	GC875CC1, GRUMMAN	1.164	.255	TAI-157
-302	GC875CB1, GRUMMAN			
-303	5022E5111, RAYCHEM			
-304	7528A5914, RAYCHEM	1.289	.344	TAI-173
-305	M17/177-00001/205-3904-MICRODDT			
-306	TRC-50-2			
-307	M17/134-00002	1.164	.255	TAI-157
-308	TRC-75-2			
-309	TRC-50-1			

INCH	MM
.005	0.13
.030	0.76
.125	3.16
.187	4.75
.190	4.83
.255	6.48
.344	8.74
.439	11.15
.443	11.25
.500	12.70
.590	14.99
.600	15.24
1.00	25.40
1.164	29.57
1.25	31.75
1.289	32.74
1.75	44.45

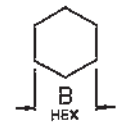


- 1 SHRINKABLE STRAIN RELIEF AND/OR SHRINKABLE SEALING SLEEVE SUPPLIED LOOSE AS FOLLOWS:
- CABLE GROUPS -207, -210 & -307:  
1 SHRINKABLE STRAIN RELIEF (1.00 LONG)  
1 SHRINKABLE SEALING SLEEVE (1.25 LONG)
  - CABLE GROUPS -201 THROUGH -208, -209, -208, -217 THROUGH -223, -301, -302, -303 & -309:  
1 SHRINKABLE SEALING SLEEVE (1.25 LONG)
  - CABLE GROUPS -211 THROUGH -218, -224, -225, -305, -305, AND -308:  
1 SHRINKABLE STRAIN RELIEF (1.75 LONG)
4. MAX PANEL THK .125
3. 3-LUG SUBMINIATURE CONCENTRIC TWINAX (4 PIECE ASSY) AND TRIAX (8 PIECE ASSY) FULL CRIMP NONINSULATED BULKHEAD MOUNT RECEPTACLE
2. FINISH: TFS-1A (NICKEL)
1. ALL DIMENSIONS ARE IN INCHES

-207 SHOWN



RECOMMENDED  
PANEL CUTOUT  
SCALE: NONE



RECOMMENDED  
HEX CRIMP  
SCALE: NONE

QTY	DESCRIPTION	PART NUMBER	ITEN
TOL UNLESS SPECIFIED +.001 ± .03 .0004 ± .005 .00006 ANG 90°	<b>TROMPETER</b> RF connectivity	BJ159AC	
DWN DBN 3/24/98	MATERIAL	CODE IDENT	DRAWING NO.
CHK 1 AM 14-17-98	14949	3-0232	REV
ENGR			L
APPR			

SCALE 4/1 DATE 5-31-85 SHEET 1 OF 2

# Mouser Electronics

Authorized Distributor

Click to View Pricing, Inventory, Delivery & Lifecycle Information:

[Cinch Connectivity Solutions:](#)

[BJ159AC-303](#)