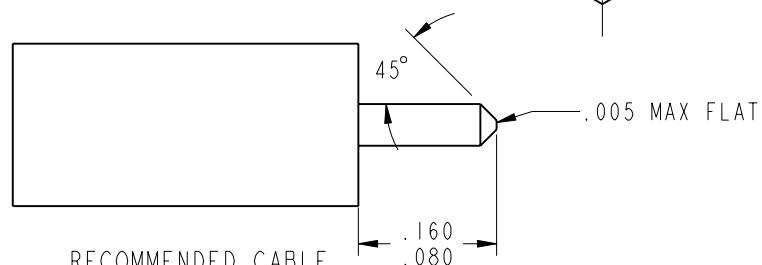
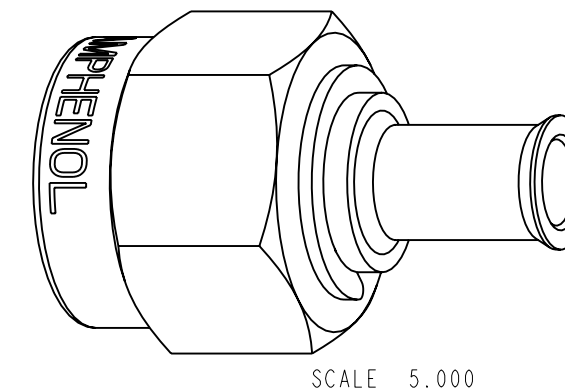
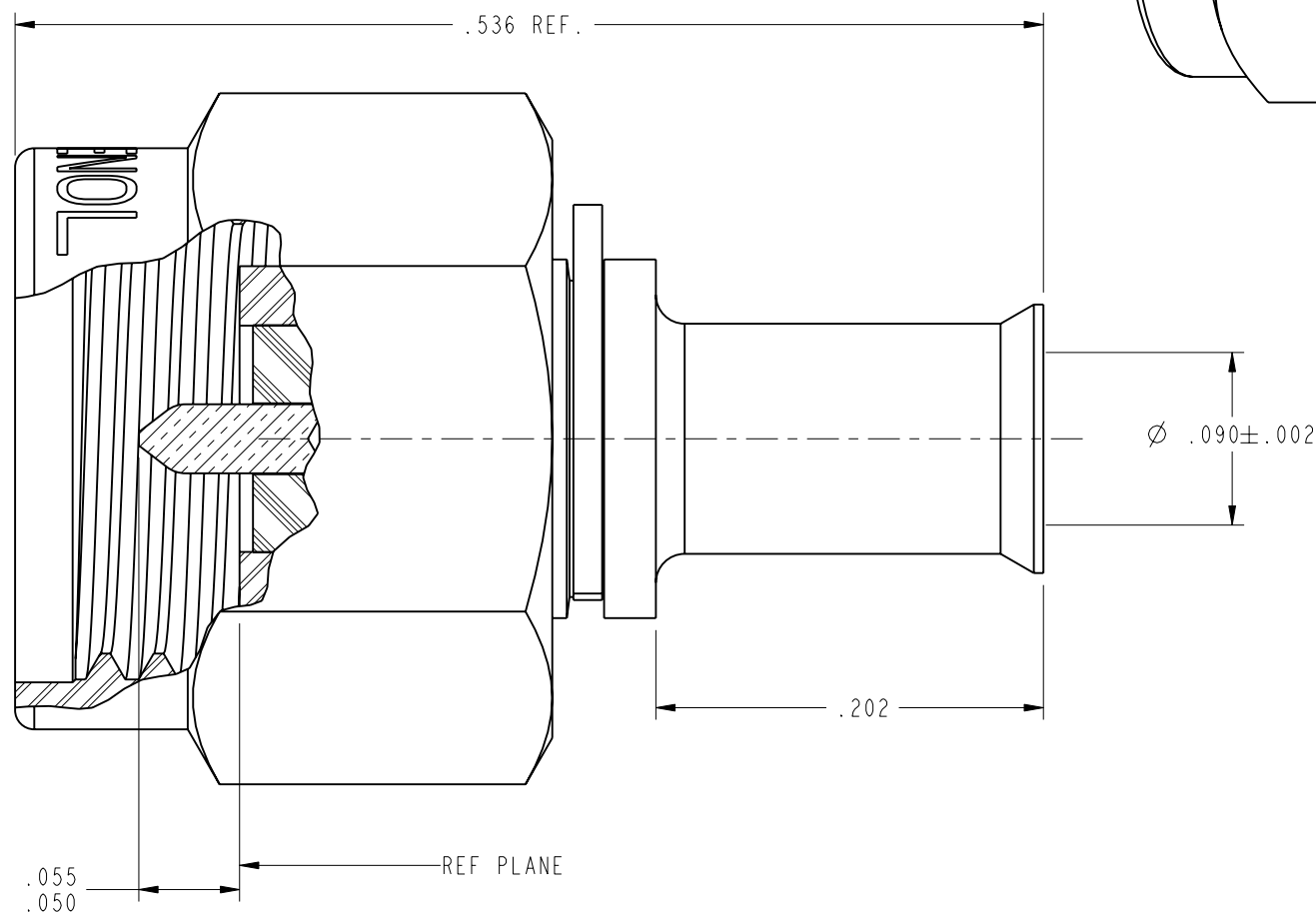
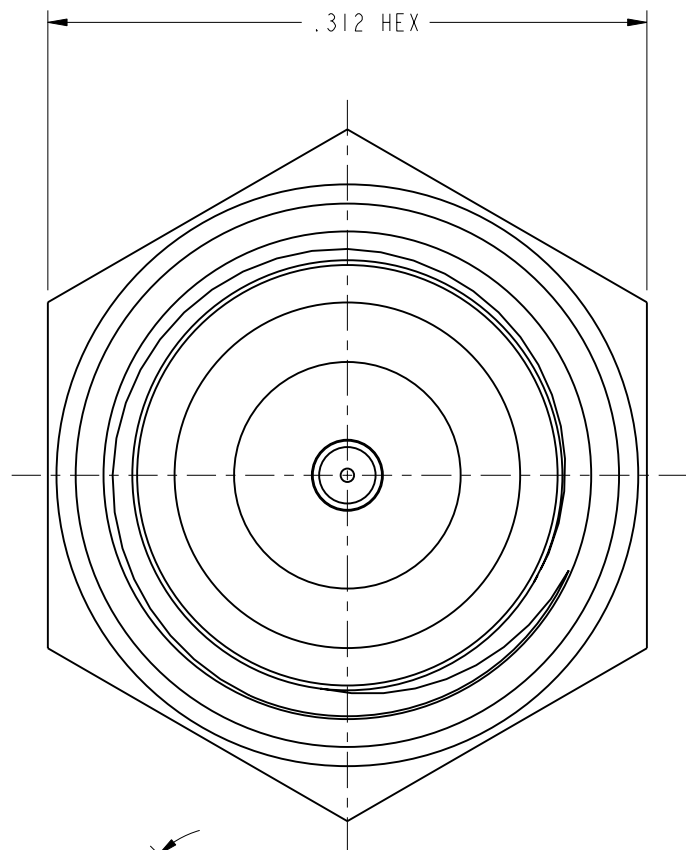


NOTES:

1. PLATING MUST CONFORM TO AMPHENOL SPEC. 349-50560. CONTACT & BODY ARE GOLD PLATED, COUPLING NUT IS PASSIVATED (REF).
2. FOR ASSEMBLY INSTRUCTIONS SEE AMPHENOL SPEC. 349-50114, SHEET 21.
3. VSWR: 1.29 MAX FROM DC TO 26.5 GHz.

901-9805-HP		REVISIONS			
DRAWING NO.	REV	DESCRIPTION	DATE	ECO	APPR
THIRD ANGLE PROJ.	A	RELEASE TO MFG.	12/7/95	41054	PB/RV
	D	SEE SHEET I	5/30/02	44060	CPM
	E	SEE SHEET I	5/11/04	44956	CPM
	F	SEE SHEET I	3/11/05	45446	CPM



RECOMMENDED CABLE STRIPPING DIMENSIONS
SCALE 6.000

CUSTOMER OUTLINE DRAWING
ALL OTHER SHEETS ARE FOR INTERNAL USE ONLY

UNLESS OTHERWISE SPECIFIED, DIMENSIONS ARE IN INCHES AND TOLERANCES ARE: 2 PLACE DECIMAL ±.015 (0,381 mm) 3 PLACE DECIMAL ±.005 (0,127 mm) ANGLES ± 1°	MATERIAL	DRAWN C. McGRATH	DATE 14-May-02	TITLE SMA PLUG SOLDER TYPE .086 SEMI-RIGID		Amphenol RF Danbury, CT, USA Tainan, Taiwan Shenzhen, China www.amphenolrf.com	
	REFERENCE EAR 111-965044 & 571 AGILENT 1250-1181 REV H GEN# ASSYM37_SMA	ENGINEER O. BARTHELMES	DATE 14-May-02				
NOTICE - These drawings, specifications, or other data (1) are, and remain the property of Amphenol Corp. (2) must be returned upon request; and (3) are confidential and not to be disclosed to any person other than those to whom they are given by Amphenol Corp. The furnishing of these drawings, specifications, or other data by Amphenol Corp., or to any other person to anyone for any purpose is not to be regarded by implication or otherwise in any manner licensing, granting rights or permitting such holder or any other person to manufacture, use or sell any product, process or design, patented or otherwise, that may in any way be related to or disclosed by said drawings, specifications, or other data.	CAD FILE I:\SMA\901-9805-HP		CODE ID 74868	DWG SIZE B	DRAWING NO. 901-9805-HP	SCALE: 10.0:1	SHEET 2 OF 2
						REV F	

Mouser Electronics

Authorized Distributor

Click to View Pricing, Inventory, Delivery & Lifecycle Information:

[Amphenol:](#)

[901-9805-HP](#)