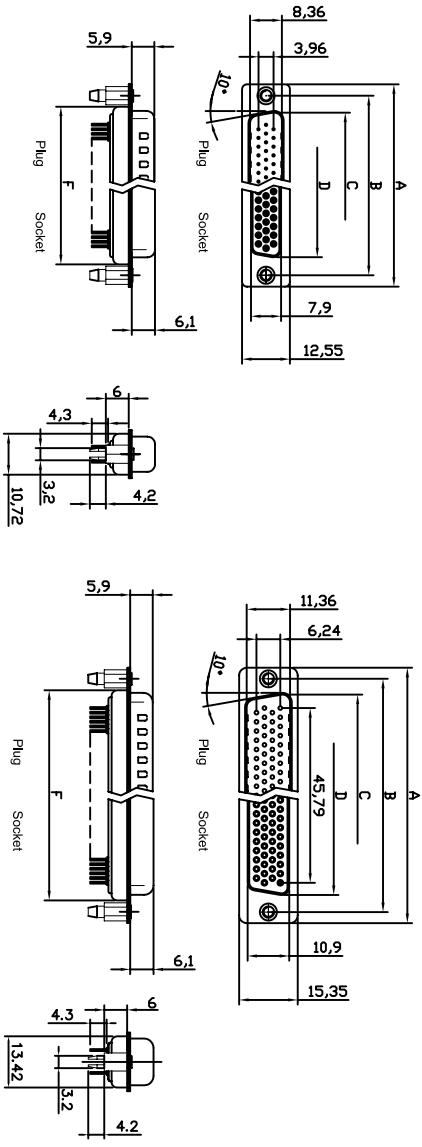
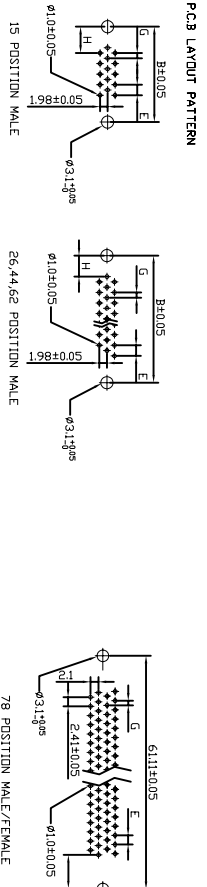


This document is the property of Amphenol Corporation and is delivered on the express condition that it is not to be distributed, reproduced or used, in whole or in part, for any purpose other than that for which it was prepared by Amphenol Corporation without its prior consent, and that no right is granted to distribute or to use any information in this document.



**Dimensions**

Positions	A	B	C	D	E	F
15	30.81	24.99	16.92	16.33	2.29	19.20
26	39.14	33.32	25.50	24.66	2.29	27.70
44	53.04	47.04	38.96	38.38	2.29	41.10
62	69.32	63.50	55.42	54.84	2.41	57.30
78	66.90	61.11	52.86	52.20	2.41	55.10



Positions	G	H
15M/F	1.14	7.04
26M/F	1.14	6.88
44M/F	1.14	6.88
62M/F	1.25	7.00
78M/F	1.20	7.65



**REVISIONS**

S/N	EDN	DESCRIPTION	DATE	APPROVED
B			12/01/07	

**D-SUB TECHNICAL DATA**

**Product Specification**

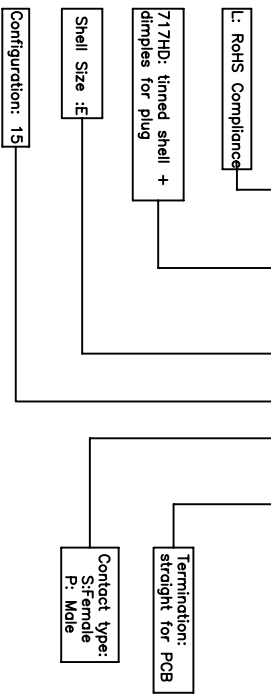
**Material and Finish**  
 Insulator: PBT + Glass-filled thermoplastic, UL-94V-0 rated.  
 Male Contact: Brass per QQ-B-626, selected gold over full tin.  
 Female Contact: Phosphor Bronze per QQB-750, selected gold over full tin.  
 Metal Shell: Carbon steel per ASTM-A-109, tin over nickel.  
 Boardlock: Copper alloy, tin over nickel.  
 Screwlock: Brass per QQ-B-626, tin over nickel.

**Electrical**  
 Contact Resistance: 25 milliohms max. At 1 ampere Dc.  
 Insulation Resistance: 5000 megohms at 500 VDC.  
 Dielectric Withstanding Voltage: 1000 VAC/rms 60Hz for one minute.  
 Current Rating: 1 amperes per contact.  
 Voltage Rating: 250 VAC/rms 60Hz.

**Environmental**  
 Operating Temperature: -55C to +105C.  
 Humidity: 24hours at 40C/95%R.H.

**PRODUCT CODE**

**L717HDE 15P OL2**



**UNLESS OTHERWISE SPECIFIED**

TOLERANCES	U.S.	METRIC	APPROVAL	DATE
X	±.010	±.25	DRM	LEON TUI/2/06/07
XX	±.005	±.13	CHECKED	RE/06/07
XXX	±.002	±.05		

**FOR MATERIALS AND FINISHES REMOVE SHARP EDGES**

DIMENSIONS	ANGLES OF PROJECTION	SIZE DRAWING NO.	REV.
THRESH	MIN	A4	C
SCALE	NONE	L717HDE15POL2	B
		SHEET 1 OF 1	

**TITLE**  
D-SUB contacts, HD series  
**Amphenol**

# Mouser Electronics

Authorized Distributor

Click to View Pricing, Inventory, Delivery & Lifecycle Information:

[Amphenol:](#)

[L717HDE15POL2](#)