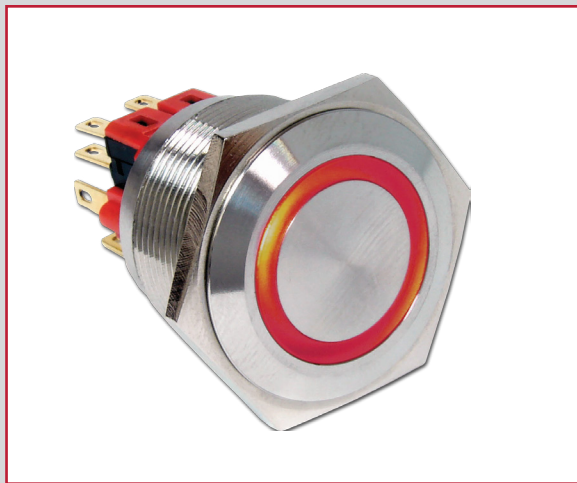
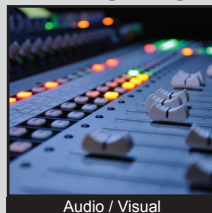


PV8 SERIES ANTI-VANDAL SWITCH

ANTI-VANDAL SWITCHES
DETECTOR SWITCHES
DIP SWITCHES
KEYLOCK SWITCHES
NAVIGATION SWITCHES
PUSHBUTTON SWITCHES
ROCKER SWITCHES
ROTARY SWITCHES
SLIDE SWITCHES
SNAP ACTION SWITCHES
TACTILE SWITCHES
TOGGLE SWITCHES
CAP OPTIONS



APPLICATIONS / MARKETS



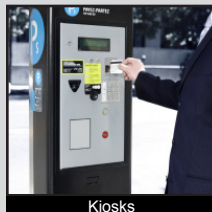
Audio / Visual



Security Devices



Industrial Controls



Kiosks



Electrical Housewares



Medical Equipment

RoHS

SPECIFICATIONS

Electrical Rating: 2A, 48VDC
Electrical Life: 50,000 Cycles
Contact Resistance: 50mΩ Max.
Insulation Resistance: 1000 MΩ Min. @ 500VDC
Dielectric Strength: 2,000VAC
Operating/Storage Temperature: -20°C to 55°C
Travel: 2.80mm
Moisture Protection: IP65
Contact Arrangement: SPDT& DPDT
Actuation Force: 6.5 N
Panel Thickness: 1-10mm for Momentary
 1-12mm for Maintained
Mounting Nut Torque: 5-14Nm

FEATURES & BENEFITS

- 25mm diameter panel cutout
- LED color options
- Dot, ring or power symbol illumination available
- Multiple function options
- IP65 rated
- SPDT & DPDT arrangements

PART NUMBER CONFIGURATOR

Series	Actuator Options	Terminal Options	Function Options	Rating Options	Body Finish Options	Actuator Finish Options	Lens Style Options	LED-Color Options	Illumination Voltage Options	Graphic (Optional)
<input type="text" value="PV8"/>	<input type="text" value="F - Flat"/>	<input type="text" value="2 - Solder"/>	<input type="text" value="T - 2 Pole
1P Off-On +
1P On-Off
Y - 2 Pole
1P Off-(On) +
1P On-(Off)
U - 4 Pole
2P Off-On +
2P On-Off
V - 4 Pole
2P Off-(On) +
2P On-(Off)"/>	<input type="text" value="0 - 2A,
48VDC"/>	<input type="text" value="1 - Black
Anodized
N - Nickel
Plated
S - Stainless
Steel"/>	<input type="text" value="1 - Black
Anodized
N - Nickel
Plated
S - Stainless
Steel"/>	<input type="text" value="NONE - Non-
Illuminated
2 - Dot
Illumination
3 - Ring
Illumination"/>	<input type="text" value="NONE - Non-
Illuminated
0 - White
1 - Red
2 - Orange
3 - Green
4 - Blue
5 - Yellow"/>	<input type="text" value="NONE - Non-
Illuminated
1 - Base Voltage
3 - 6V
4 - 12V
5 - 24V
6 - 125V
7 - 250V"/>	<input type="text" value="M11 - Power
symbol laser
etched
M14 - Power
symbol / Ring
Illumination"/>

NOTES:
 *() denotes function is momentary

Specifications subject to change without notice 12.22.2017



E-SWITCH®

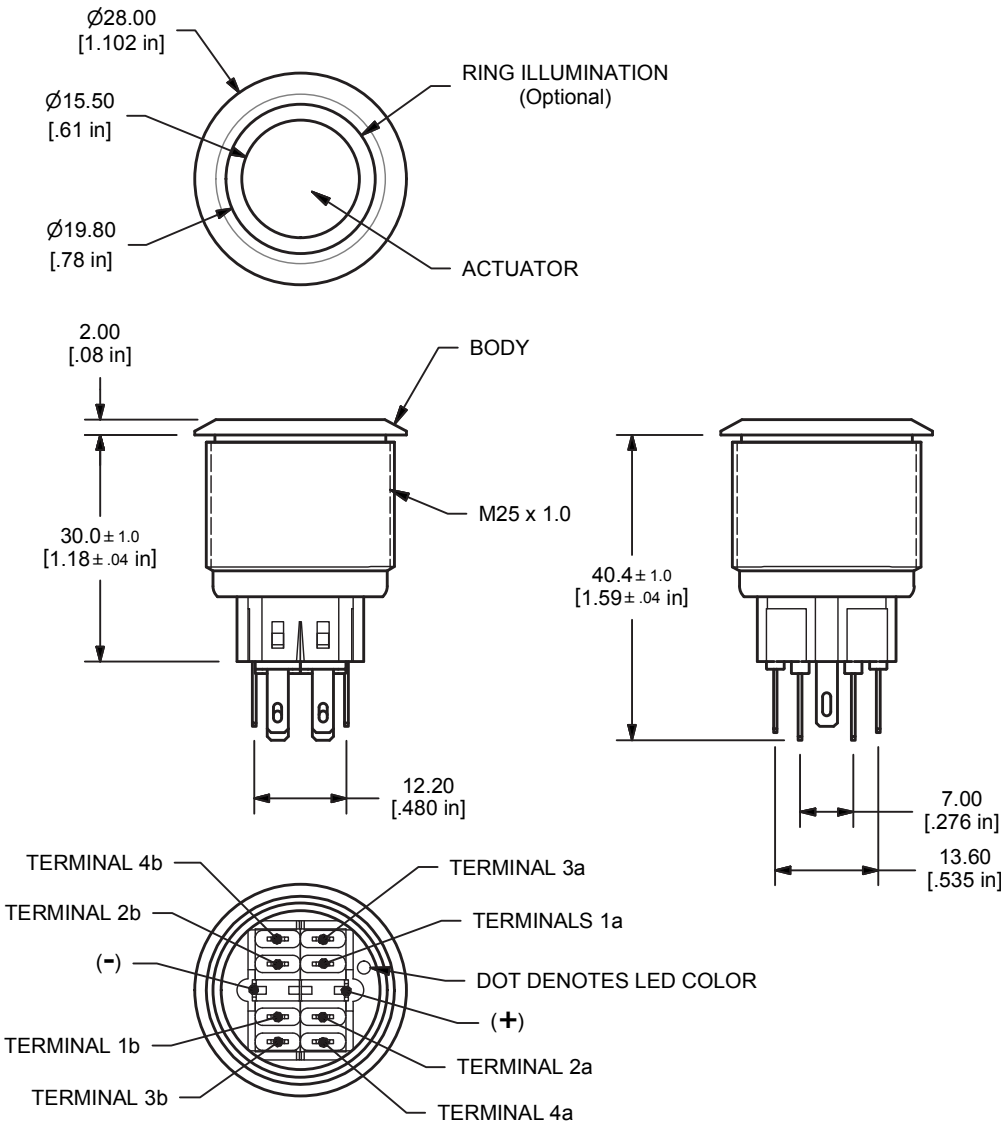
www.e-switch.com

800.867.2717

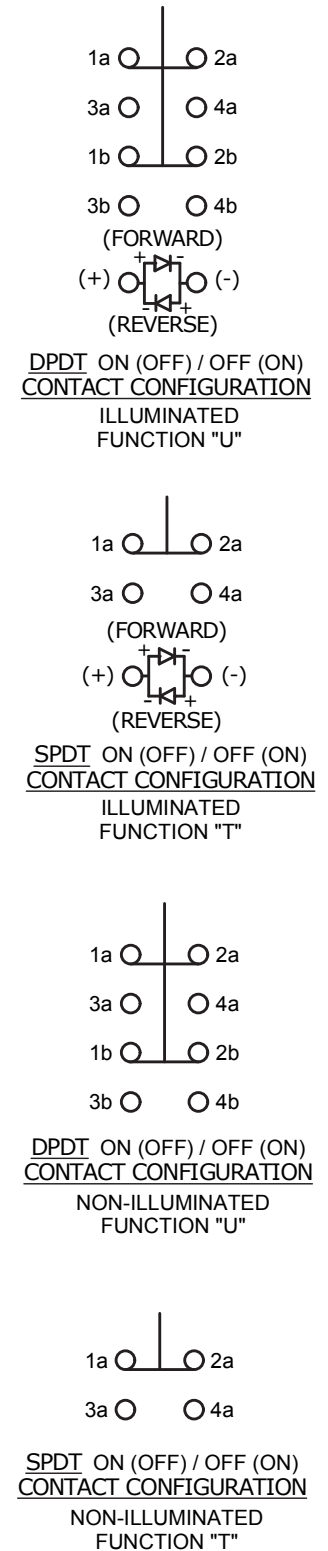
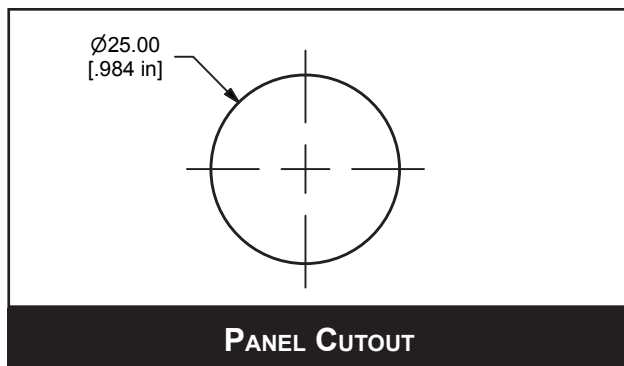
1

PV8 SERIES ANTI-VANDAL SWITCH

MAINTAINED (LATCHING) FUNCTION "T" AND "U"



* DPDT (Function "U") Terminals 1a - 4a and 1b - 4b (AS SHOWN)
 SPDT (Function "T") Terminals 1a - 4a
 Terminals (-) and (+) used with Illuminated option only



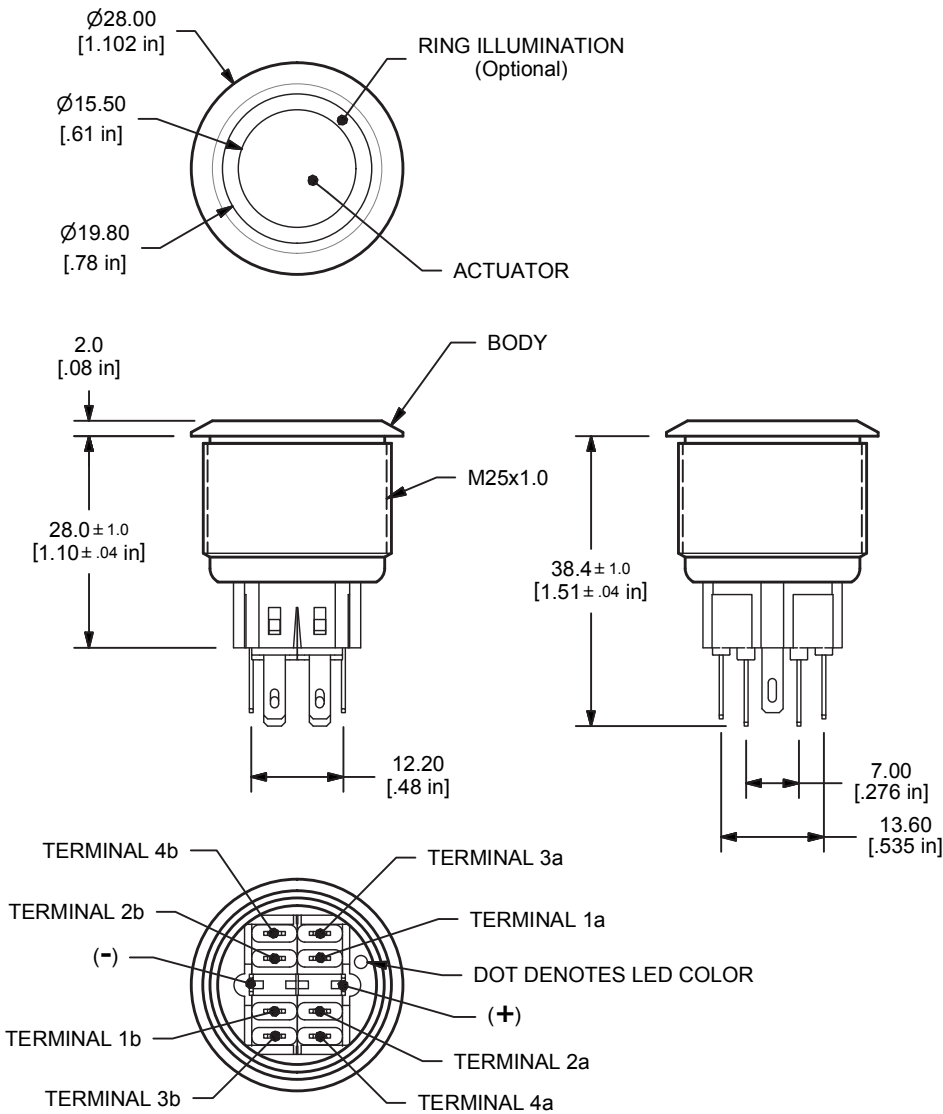
SCHEMATIC



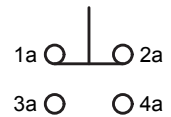
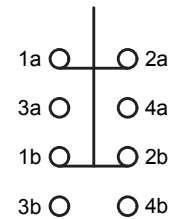
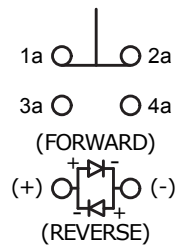
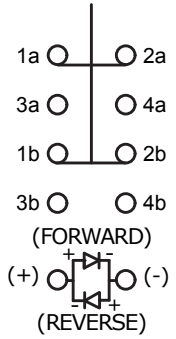
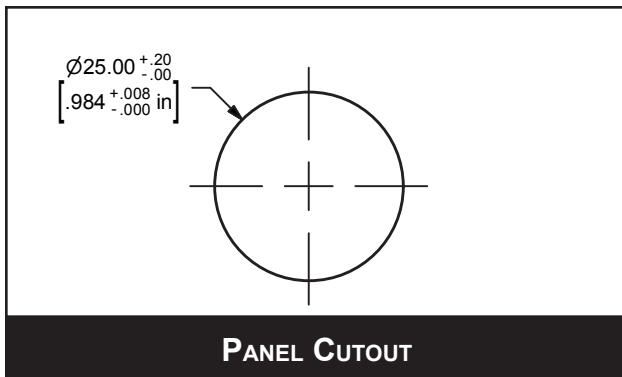
ANTI-VANDAL SWITCHES
 DETECTOR SWITCHES
 DIP SWITCHES
 KEYLOCK SWITCHES
 NAVIGATION SWITCHES
 PUSHBUTTON SWITCHES
 ROCKER SWITCHES
 ROTARY SWITCHES
 SLIDE SWITCHES
 SNAP ACTION SWITCHES
 TACTILE SWITCHES
 TOGGLE SWITCHES
 CAP OPTIONS

PV8 SERIES ANTI-VANDAL SWITCH

MOMENTARY FUNCTION "Y" AND "V"



* DPDT (Function "V") Terminals 1a - 4a and 1b - 4b (AS SHOWN)
 SPDT (Function "Y") Terminals 1a - 4a
 Terminals (-) and (+) used with Illuminated option only

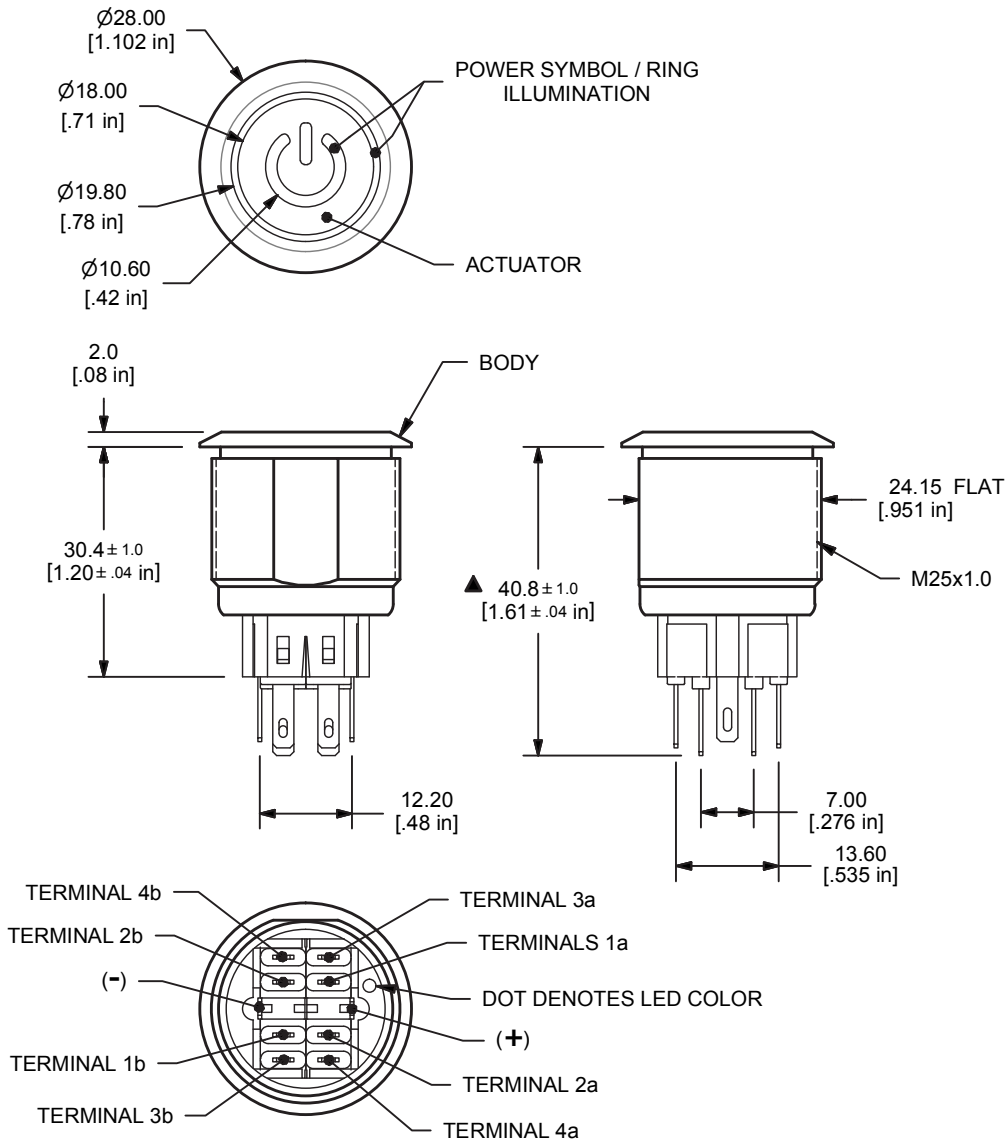


SCHEMATIC

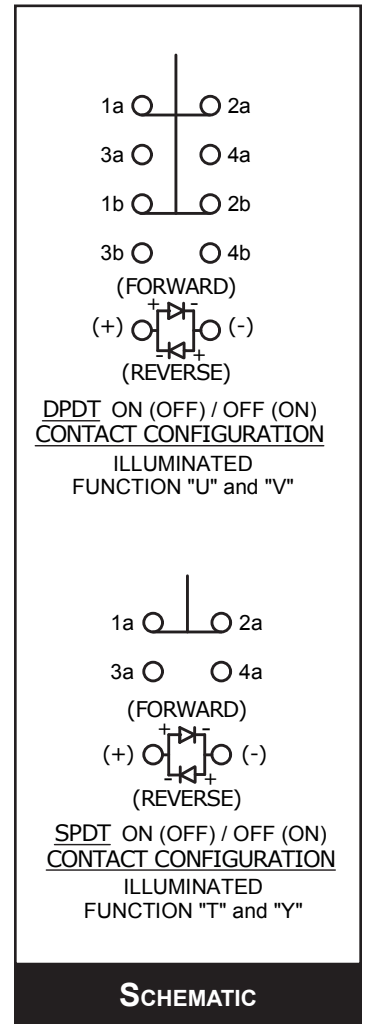
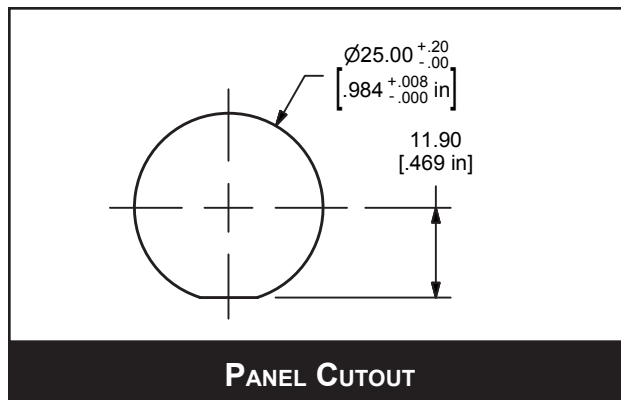


PV8 SERIES ANTI-VANDAL SWITCH

ILLUMINATED RING WITH POWER SYMBOL



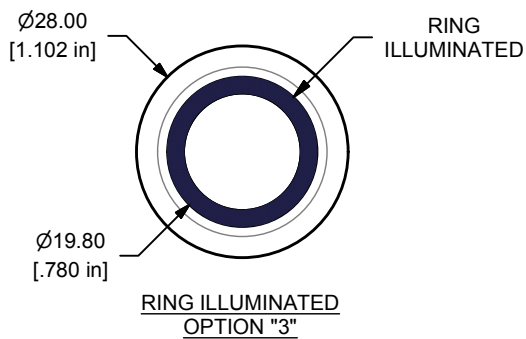
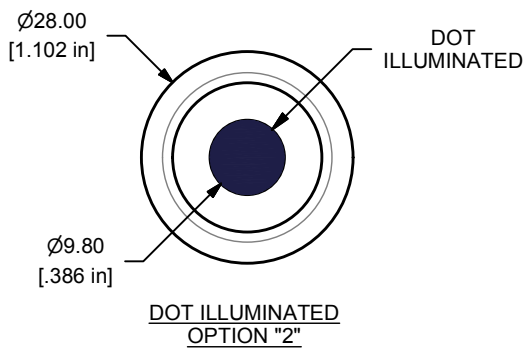
* DPDT (Function "U" and "V") Terminals 1a - 4a and 1b - 4b (AS SHOWN)
 SPDT (Function "T" and "Y") Terminals 1a - 4a



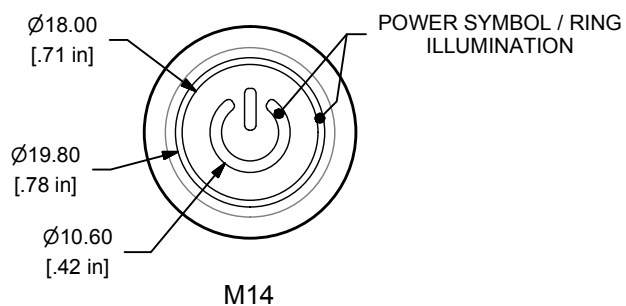
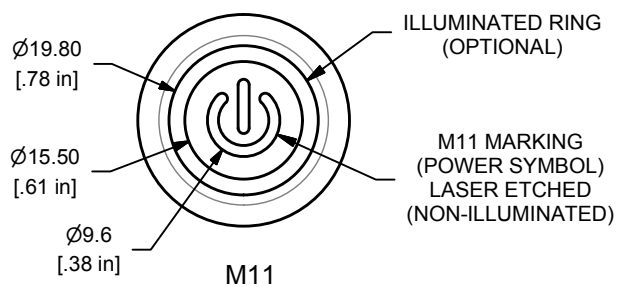
PV8 SERIES ANTI-VANDAL SWITCH

ACTUATOR OPTIONS

ANTI-VANDAL SWITCHES
DETECTOR SWITCHES
DIP SWITCHES
KEYLOCK SWITCHES
NAVIGATION SWITCHES
PUSHBUTTON SWITCHES
ROCKER SWITCHES
ROTARY SWITCHES
SLIDE SWITCHES
SNAP ACTION SWITCHES
TACTILE SWITCHES
TOGGLE SWITCHES
CAP OPTIONS



Lens Styles



Mouser Electronics

Authorized Distributor

Click to View Pricing, Inventory, Delivery & Lifecycle Information:

E-Switch:

[PV8F2T0SS-303](#) [PV8F2T0SS-31D](#) [PV8F2T0SS-324](#) [PV8F2T0SS-344](#) [PV8F2Y1SS-235](#) [PV8H2Y0SSG](#)
[PV8F2T0SS-3K4](#) [PV8F2V0SS-335](#) [PV8F2V0SS-345](#) [PV8F2Y0SS](#) [PV8F2U0SS-331](#) [PV8F2V0SS-331](#) [PV8F2V0SS-](#)
[341](#) [PV8F2U0SS-341](#) [PV8F2V0SS-311](#) [PV8F2V0SS](#) [PV8F2V0SS-211](#) [PV8F2V0SS-321](#) [PV8F2Y0SS-225](#)
[PV8F2Y0SS-235](#) [PV8F2Y0SS-311](#) [PV8F2Y0SS-313](#) [PV8F2Y0SS-344](#) [PV8F2V0SS-323](#) [PV8F2V0SSG-304](#)
[PV8F2V1SSG-3G1](#) [PV8F2Y0SSG-344](#) [PV8F2T1SS-335](#) [PV8F2T0SS-315](#) [PV8F2Y0SS-3K4](#) [PV8F2T0SS-341](#)
[PV8F2V1SSG-3K1](#) [PV8F2T0SS-335](#) [PV8F2Y0SS-345](#) [PV8F2V0SS-315](#) [PV8F2Y0SS-341](#) [PV8F2Y0SS-315](#)
[PV8F2U0SS-305](#) [PV8F2V0SS-305](#) [PV8F2Y0SS-335](#) [PV8F2Y1SS-301](#) [PV8F2T0SS-334](#) [PV8F2Y1SS-335](#)
[PV8F2Y1SS-315](#) [PV8F2Y0SS-331](#)