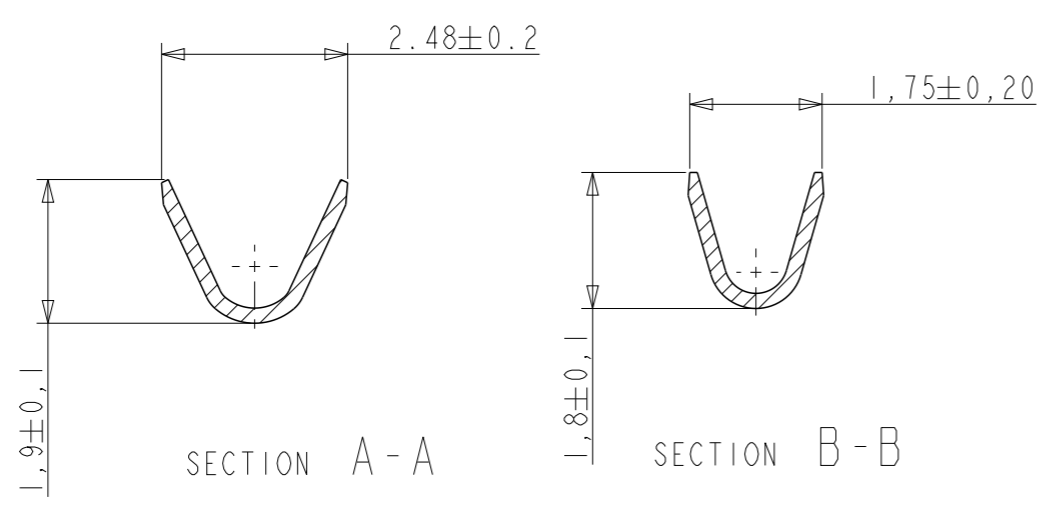
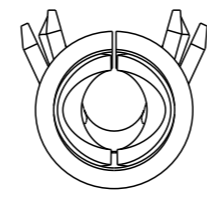
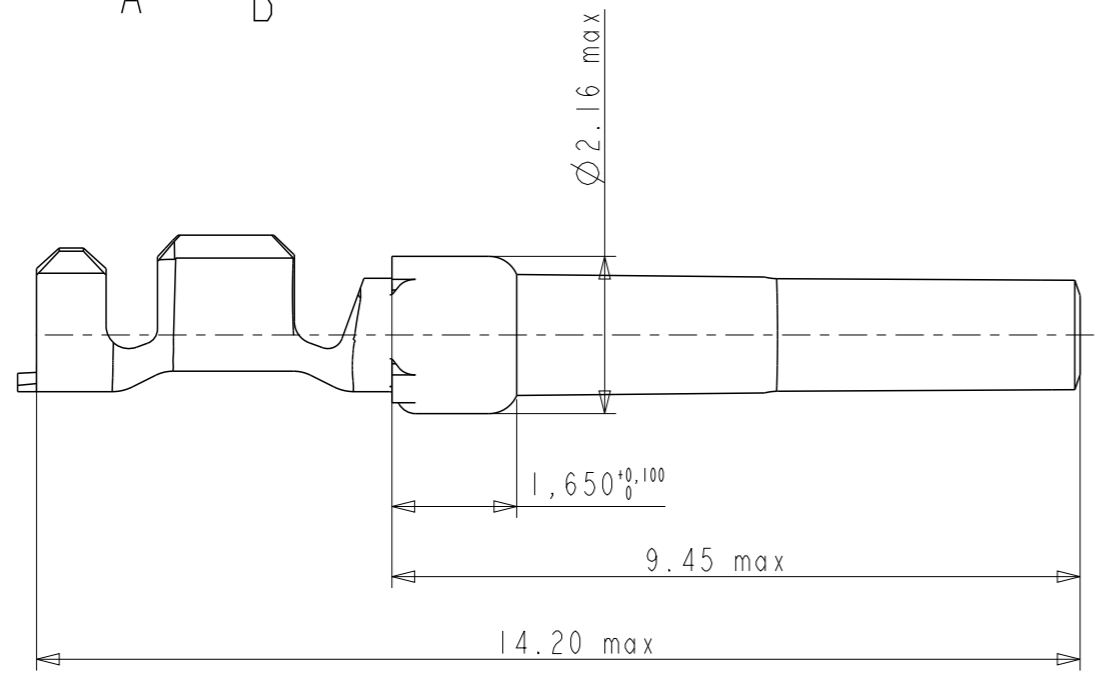
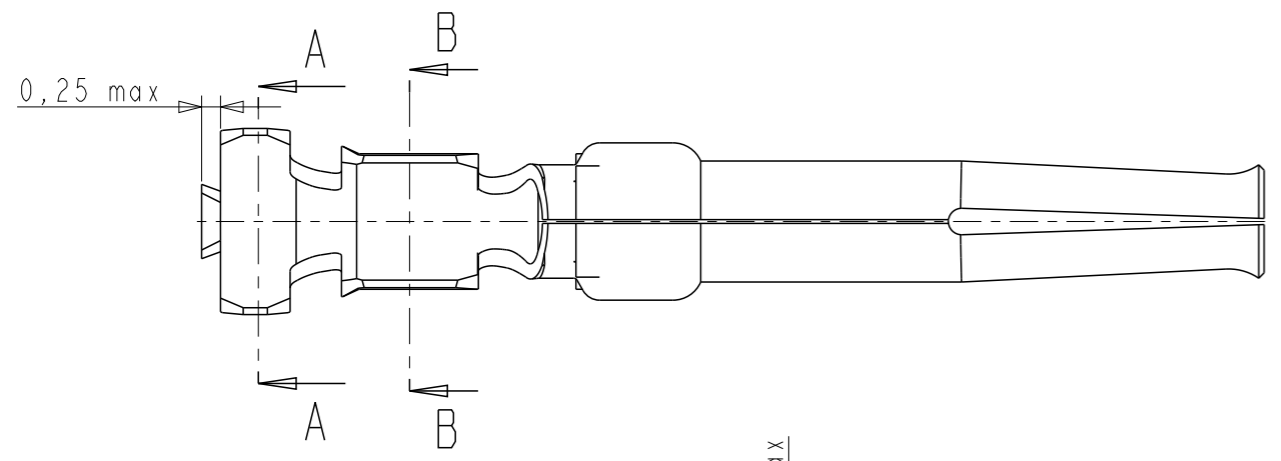


NOTES:

- 1-Material:phosphor bronze,thickness 0.20
- 2-Finish on contact area:see table  
finish on termination:bright tin over nickel
- 3-Wire range:20 to 24 AWG
- 4-Max outer dia of wire insulator:1.73 mm
- 5-Current carrying capacity per contact:
  - 5.Amps max when crimped to #20 AWG
  - 5 Amps max when crimped to #22 AWG
  - 3 Amps max when crimped to #24 AWG
- 6-After 5 insertions into connector, contact retention must be 5 pounds axial load min
- 7-When contact is crimped to 20 AWG,the insulation support crimped height must be 1.78 mm max to ensure a proper insertion into housing
- 6-Packaging:Box of 500 contacts

NOTE : ROHS INFORMATIONS

The LF products meet European union directives and other country regulations as described in GS-22-008  
 Terminations plating spec : 2um Nickel min + 2um Sn min  
 Packaging Spec : see GS-14-920



CORE RANGE	
<b>8656353067LF</b>	0.4μ Au / GXT
<b>8656353067</b>	0.4μ Au / GXT
<b>8656353065</b>	0.76μ Au / GXT
<b>8656353065LF</b>	0.76μ Au / GXT
PART NUMBER	Plating

www.fciconnect.com		surface - ✓ ISO 1302	tolerance std ISO 406 ISO 1101	projection ⊕ - ⊖	mm
TOLERANCES UNLESS OTHERWISE SPECIFIED					
Dr	C JARRY	28/01/97	ANGULAR	size A3	Scale 10/1
Eng			LINEAR	ECN	111-0003
Chr			0° ±2°	Product family	8656 Spec ref
Appr					
FCi			CRIMP SOCKET		Rev. H
			#WIRE 20-24 in box 500 cts		dwg no C01-8656-1530
			catalog no		CUSTOMER sheet 1 of 1

rev	ecn no	dr	date
C	LS06-196	MPE	27/11/2006
D	LS06-0210	MPE	2006/12/07
E	LS08-0127	MPE	2008/05/13
F	109-0152	AMR	2009-07-27
G	110-0070	AMR	2010-03-09
H	111-0003	AMR	2011-01-06
-	-	-	-



Copyright FCI.

# Mouser Electronics

Authorized Distributor

Click to View Pricing, Inventory, Delivery & Lifecycle Information:

[FCI / Amphenol:](#)

[8656353067LF](#)