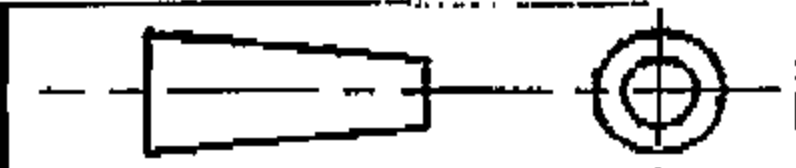


DO NOT SCALE

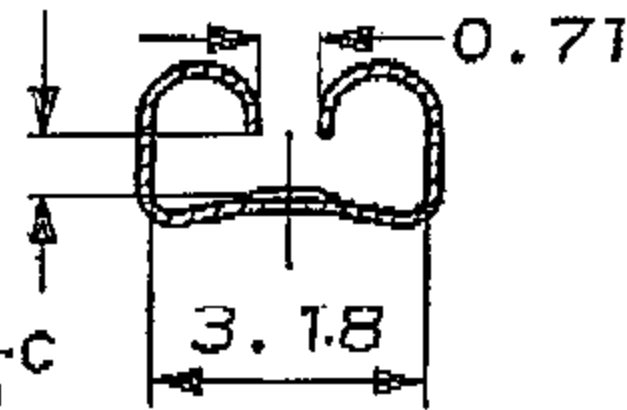
DIMENSIONS IN MM.



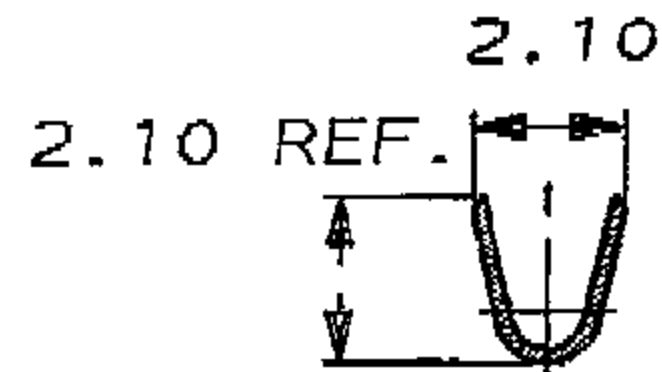
C.A.D. FILE CODE
5.C150545.N

PART NUMBER	MATERIAL	FINISH	PAPER INTERLEAVED
150545-1	BRASS	NONE	NO
150545-2	BRASS	ELECTRO TIN	YES
150545-3	BRASS	PRE TIN	OBSOLETE
150545-4	BRASS	SILVER	OBSOLETE
150545-5	PHOS. BRONZE	NONE	OBSOLETE
150545-6	PHOS. BRONZE	ELECTRO TIN	OBSOLETE
150545-7	BRASS	GOLD OVER NICKEL	OBSOLETE
150545-8	BRASS	NONE	OBSOLETE
150545-9	BRASS	NONE	OBSOLETE

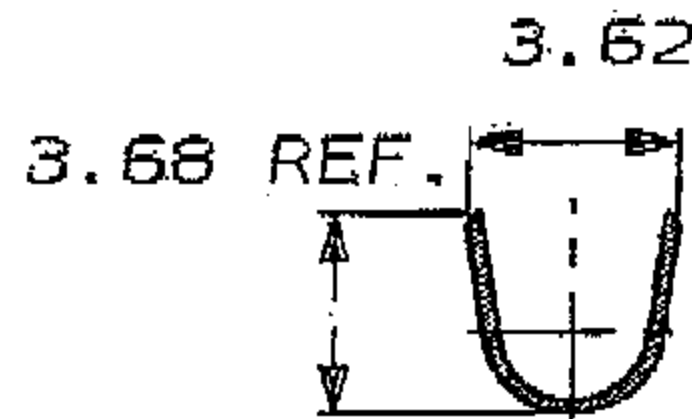
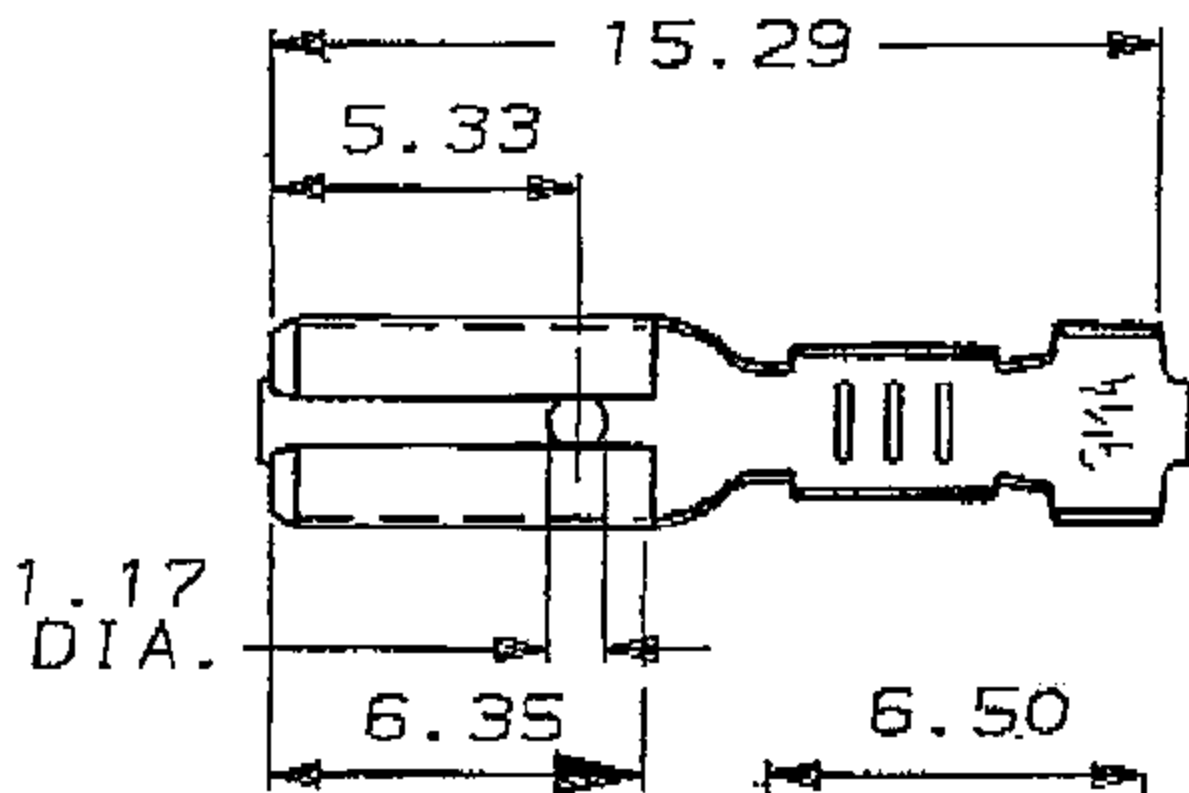
GAP TO SUIT
TAB THICKNESS
0.80



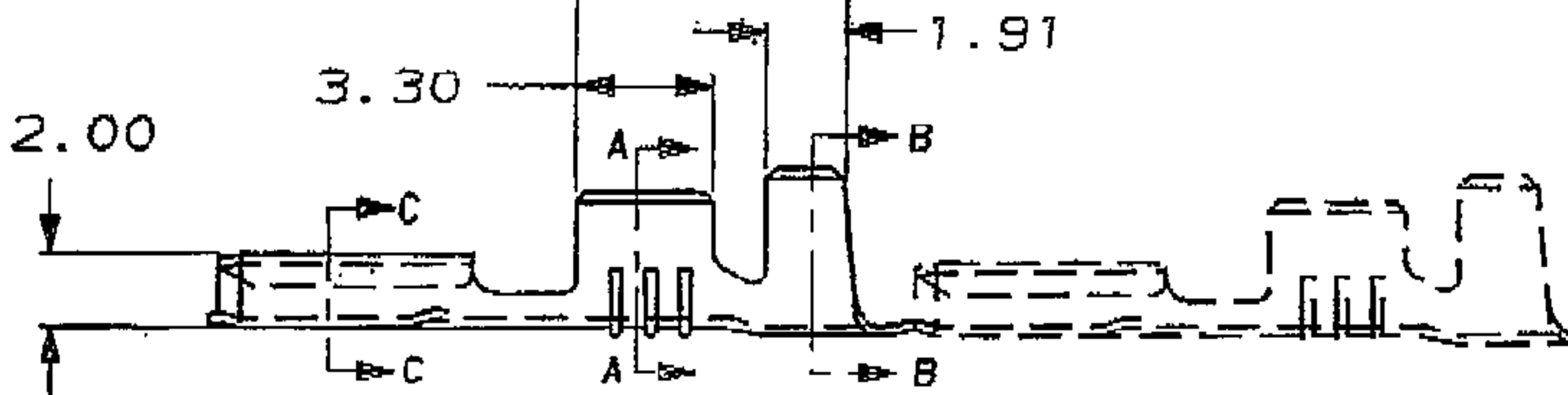
SECTION C-C
SCALE 6-1



SECTION A-A



SECTION B-B



WIRE RANGE 0.21 TO 0.52mm²

INSULATION RANGE 2.03 TO 3.05mm DIA

CUSTOMER DWG
FOR REFERENCE ONLY

© COPYRIGHT 1981 BY AMP OF GREAT BRITAIN LTD.
ALL INTERNATIONAL RIGHTS RESERVED. ALL PRODUCTS
MAY BE COVERED BY BRITISH AND FOREIGN PATENTS AND/OR PATENTS PENDING.

RELEASED FOR PUBLICATION
ORIGINAL 1981

-	-	-	-
-	-	-	-
-	-	-	-
-	-	-	-
P	ECR-07-008438	MJG	12/04/07
N	REDRAWN ON CAD	C5978	17.12.91
REV	APPROVED	ECN	DATE

TOLERANCES
UNLESS OTHERWISE
STATED :
DEC ± 0.5
ANGLES ± 1°

DR. D.A.BARRATT 17.12.91

CH. D.TERRY APP. D.A.BARRATT



TERMINAL HOUSE
STANKORE
MIDDX.

NAME MINIATURE FASTON 110 SERIES

SCALE	LOC	SIZE	DWG.No.	REV	SHEET
4/1	E	A4	C150545	P	1/1

Mouser Electronics

Authorized Distributor

Click to View Pricing, Inventory, Delivery & Lifecycle Information:

[TE Connectivity:](#)

[150545-2](#) [150545-2 \(CUT STRIP\)](#) [150545-2 \(MOUSER REEL\)](#)