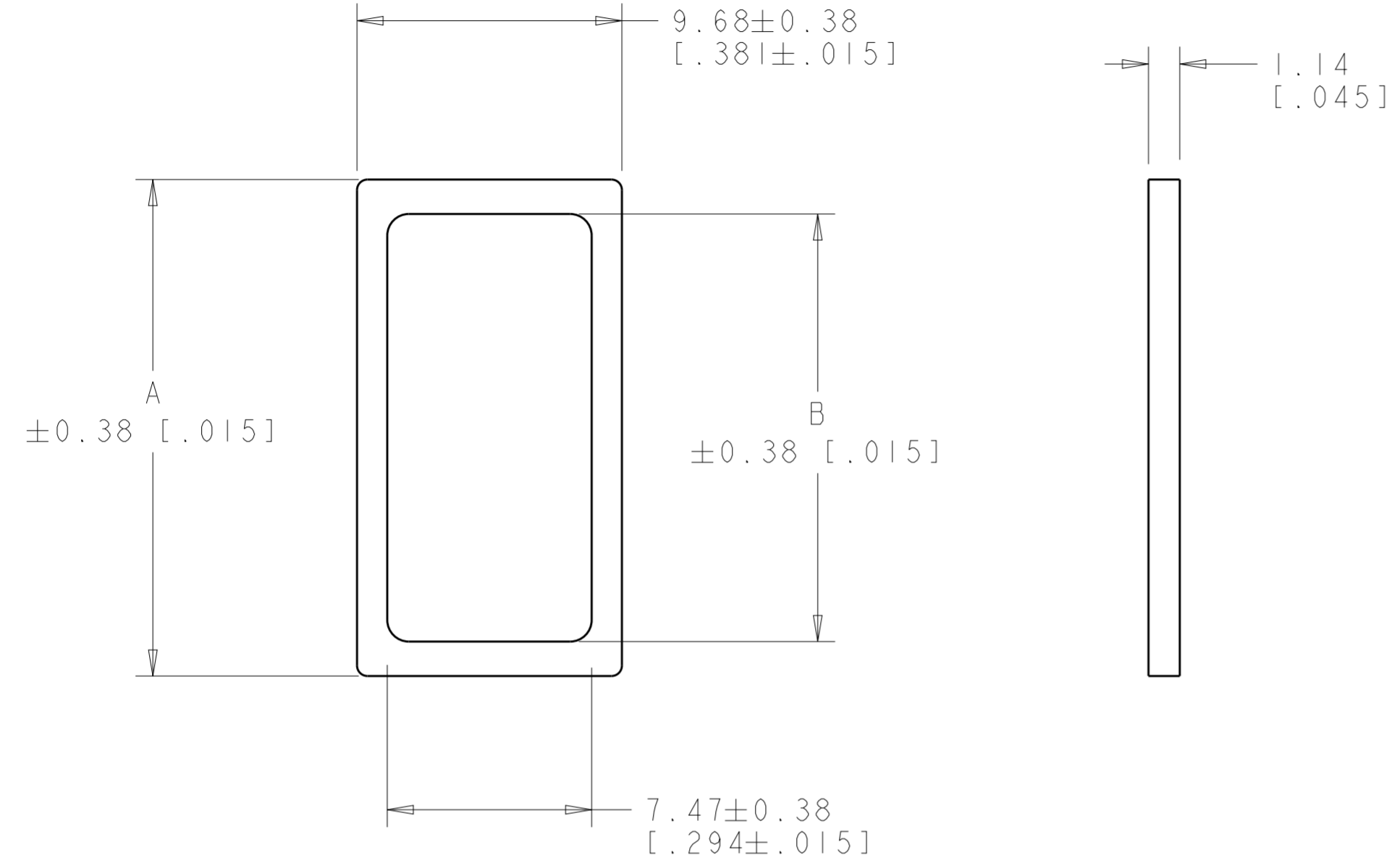


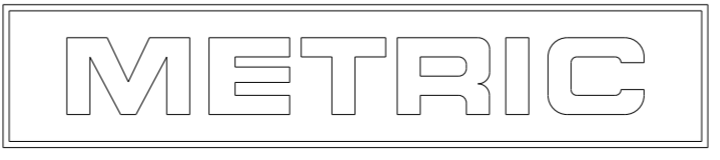
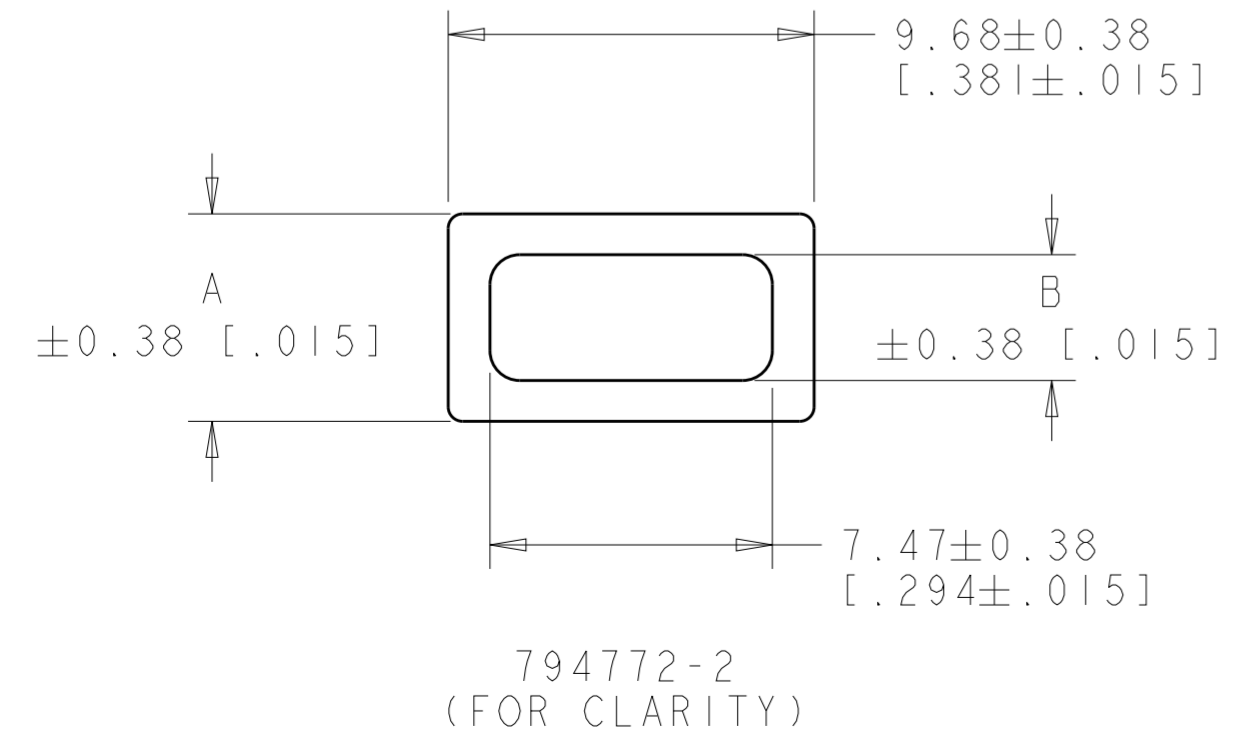
THIS DRAWING IS UNPUBLISHED. RELEASED FOR PUBLICATION 20
 © COPYRIGHT 20 ALL RIGHTS RESERVED.

| LOC | DIST | REVISIONS | | | | | |
|-----|------|-----------|-----|---------------------------|-----------|-----|------|
| CM | 00 | P | LTR | DESCRIPTION | DATE | DWN | APVD |
| | | C | | REVISED PER ECO-09-028095 | 21DEC2009 | HMR | MS |
| | | CI | | REVISED PER ECR-15-003909 | 23MAR2015 | AV | DZ |

- ① MATERIAL: DIECUT URETHANE FOAM, 50 SHORE A DUROMETER.
- ② PRELIMINARY PART NUMBER.
- ③ MATERIAL: DIECUT URETHANE FOAM, 30 SHORE A DUROMETER.



| NOTE | VOLUME IN ³ | DIM B | DIM A | POSN | PART NO. |
|------|------------------------|---------------|---------------|------|------------|
| ②③ | .009 | 48.86 [1.924] | 51.13 [2.013] | 24 | 4-794772-3 |
| ②③ | .008 | 44.72 [1.761] | 46.99 [1.850] | 22 | 4-794772-2 |
| ②③ | .008 | 40.58 [1.598] | 42.84 [1.687] | 20 | 4-794772-1 |
| ②③ | .007 | 36.49 [1.435] | 38.70 [1.524] | 18 | 4-794772-0 |
| ②③ | .007 | 32.30 [1.272] | 34.56 [1.361] | 16 | 3-794772-9 |
| ②③ | .006 | 28.16 [1.109] | 30.42 [1.198] | 14 | 3-794772-8 |
| ②③ | .005 | 24.02 [0.946] | 26.28 [1.035] | 12 | 3-794772-7 |
| ②③ | .005 | 19.89 [0.783] | 22.15 [0.872] | 10 | 3-794772-6 |
| ②③ | .004 | 15.75 [0.620] | 18.01 [0.709] | 8 | 3-794772-5 |
| ②③ | .003 | 11.61 [0.457] | 13.87 [0.546] | 6 | 3-794772-4 |
| ③ | .003 | 7.47 [0.294] | 9.68 [0.381] | 4 | 3-794772-3 |
| ②③ | .002 | 3.33 [0.131] | 5.49 [0.216] | 2 | 3-794772-2 |
| ①② | .009 | 48.86 [1.924] | 51.13 [2.013] | 24 | 2-794772-4 |
| ①② | .008 | 44.72 [1.761] | 46.99 [1.850] | 22 | 2-794772-2 |
| ①② | .008 | 40.58 [1.598] | 42.84 [1.687] | 20 | 2-794772-0 |
| ①② | .007 | 36.49 [1.435] | 38.70 [1.524] | 18 | 1-794772-8 |
| ①② | .007 | 32.30 [1.272] | 34.56 [1.361] | 16 | 1-794772-6 |
| ①② | .006 | 28.16 [1.109] | 30.42 [1.198] | 14 | 1-794772-4 |
| ①② | .005 | 24.02 [0.946] | 26.28 [1.035] | 12 | 1-794772-2 |
| ① | .005 | 19.89 [0.783] | 22.15 [0.872] | 10 | 1-794772-0 |
| ① | .004 | 15.75 [0.620] | 18.01 [0.709] | 8 | 794772-8 |
| ① | .003 | 11.61 [0.457] | 13.87 [0.546] | 6 | 794772-6 |
| ① | .003 | 7.47 [0.294] | 9.68 [0.381] | 4 | 794772-4 |
| ① | .002 | 3.33 [0.131] | 5.49 [0.216] | 2 | 794772-2 |



THIS DRAWING IS A CONTROLLED DOCUMENT.

DWN: K. WHITAKER 01FEB2001
 CHK: C. JONES 01FEB2001
 APVD: C. JONES 01FEB2001

DIMENSIONS: mm [INCHES]

TOLERANCES UNLESS OTHERWISE SPECIFIED:
 0 PLC ±
 1 PLC ±
 2 PLC ±0.13 [0.005]
 3 PLC ±
 4 PLC ±
 ANGLES ±
 FINISH ±

PRODUCT SPEC: -
 APPLICATION SPEC: -
 WEIGHT: -

CUSTOMER DRAWING

SCALE: 5:1

SHEET 1 OF 1

REV: C1

STE TE Connectivity

NAME: PERIMETER INTERFACE SEAL, MINI UNIVERSAL MATE-N-LOK(TM)

SIZE: A2

DRAWING NO: C-794772

Mouser Electronics

Authorized Distributor

Click to View Pricing, Inventory, Delivery & Lifecycle Information:

[TE Connectivity:](#)

[794772-8](#)