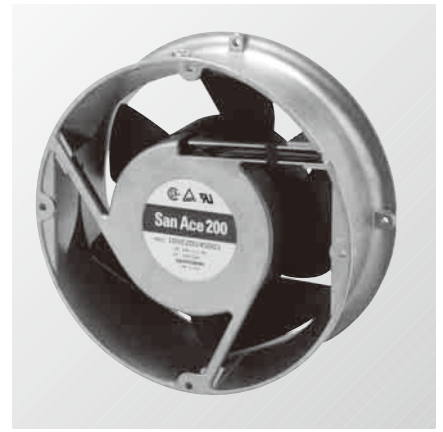


φ 200mm

San Ace 200

70mm thick (Round type)
70mm thick



General Specifications With a pulse sensor Specifications for pulse sensors ⇔ Refer to Page 309

- Material Frame: Aluminum, Impeller:Plastics (Flammability: UL94V-1)
- Expected Life Varies for each model (L10:Survival rate:90% at 60°C ,
rated voltage, and continuously run in a free air state)
- Lead Wire ⊕red ⊖black or blue Sensor yellow
- Storage Temperature -30°C to +70°C (Non-condensing)

Power on when current is shut off. Do not power on 10sec or more after power off.

φ 200mm × 70mm (Mass : 1800g) Round type

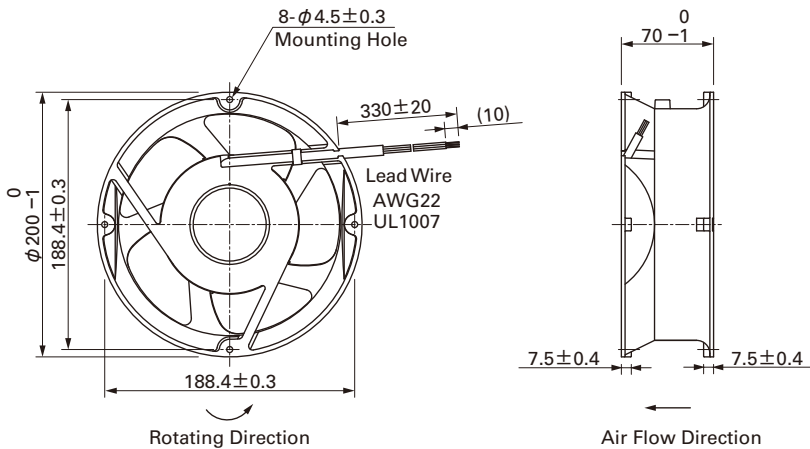
Specifications The MH speed and AS speed are two speeds.

Model No.	Rated Voltage [V]	Operating Voltage Range [V]	Rated Current [A]	Rated Input [W]	Rated Speed [min ⁻¹]	Max. Air Flow [m ³ /min] [CFM]	Max. Static Pressure [Pa] [inchH ₂ O]	SPL [dB(A)]	Operating Temperature [°C]	Expected Life [h]
109E2024S001	24	21.6 to 26.4	1.9	45.6	3,200	10.45 369	287.1 1.153	57	- 10 to +70	40,000
109E2024H001		20.4 to 27.6	1.0	24	2,600	8.2 289.5	192 0.771	51		
109E2024AS001		21.6 to 26.4	1.9	45.6	3,200	10.45 369	287.1 1.153	57		
			1.45	34.8	2,800	9 317.8	215.6 0.865	54		
109E2024MH001		20.4 to 27.6	1.0	24	2,600	8.2 289.5	192 0.771	51		
			0.63	15.12	2,100	6.7 236.6	115.4 0.463	45		

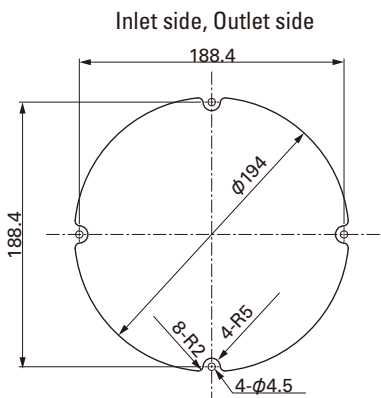
Without Sensor Pulse Sensor Available upon request for all the models above.

Lock Sensor Please inquire as the availability of these functions depend on the model.

Dimensions (Unit : mm)



Reference dimension of mounting holes and vent opening (Unit : mm)



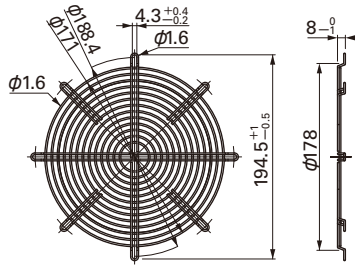
Options (Unit : mm)

Finger guards

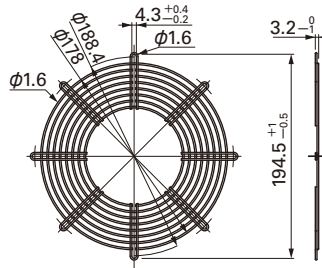
Model : 109-720 Surface treatment : Nickel-chrome plating (silver) Color : 109-720H : Cation electropainting (black)

Model : 109-721 Surface treatment : Nickel-chrome plating (silver) Color : 109-721H : Cation electropainting (black)

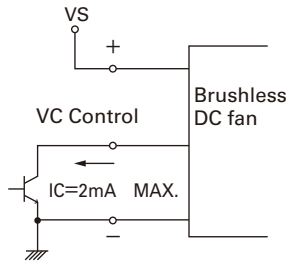
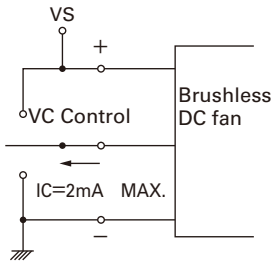
Inlet side, Outlet side



Outlet side

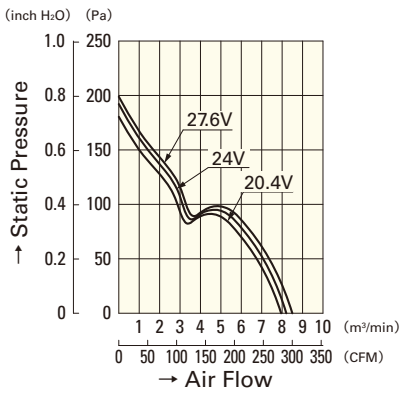


Signal connection type



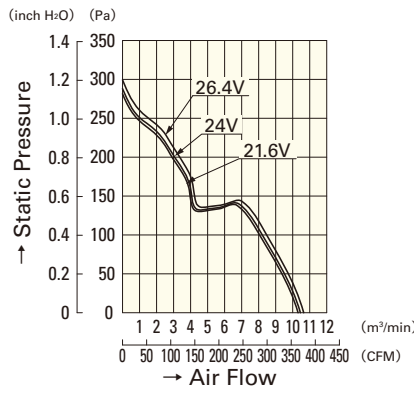
Air Flow - Static Pressure Characteristics

H speed



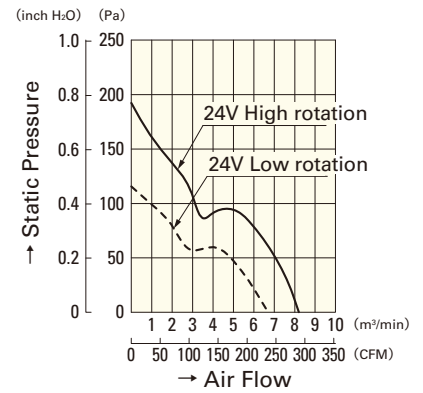
109E2024H001

S speed



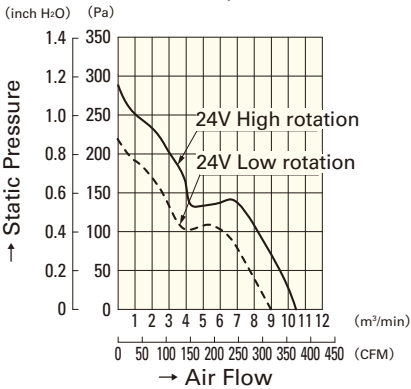
109E2024S001

MH Two-speed



109E2024MH001

AS Two-speed



109E2024AS001

Mouser Electronics

Authorized Distributor

Click to View Pricing, Inventory, Delivery & Lifecycle Information:

Sanyo Denki:

[109E2024AS001](#) [109E2024AS002](#) [109E2024H001](#) [109E2024H002](#) [109E2024MH001](#) [109E2024MH002](#)
[109E2024S001](#) [109E2024S002](#) [109E2024S0D01](#)

Mouser Electronics

Authorized Distributor

Click to View Pricing, Inventory, Delivery & Lifecycle Information:

Sanyo Denki:

[109E2024AS001](#) [109E2024H001](#) [109E2024MH001](#) [109E2024S001](#)