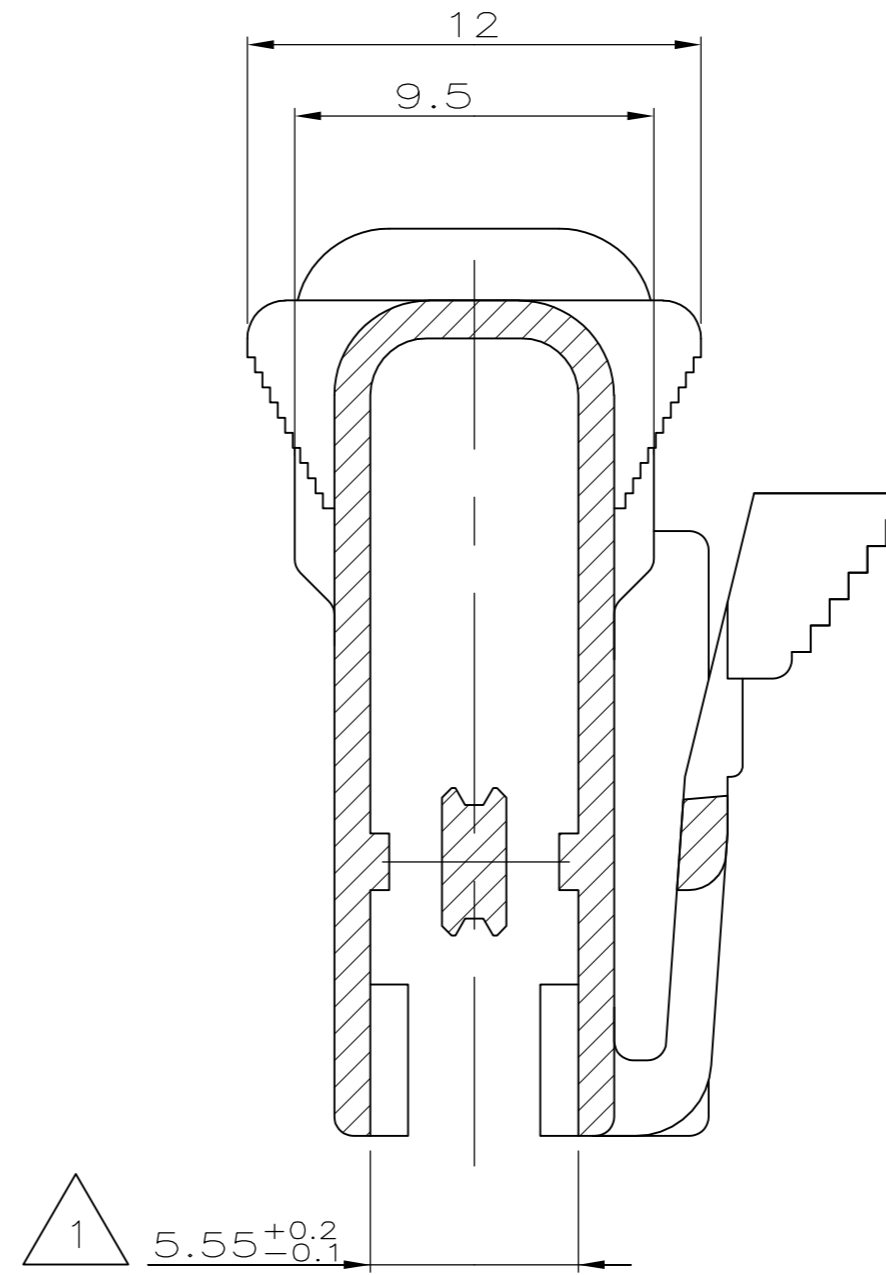
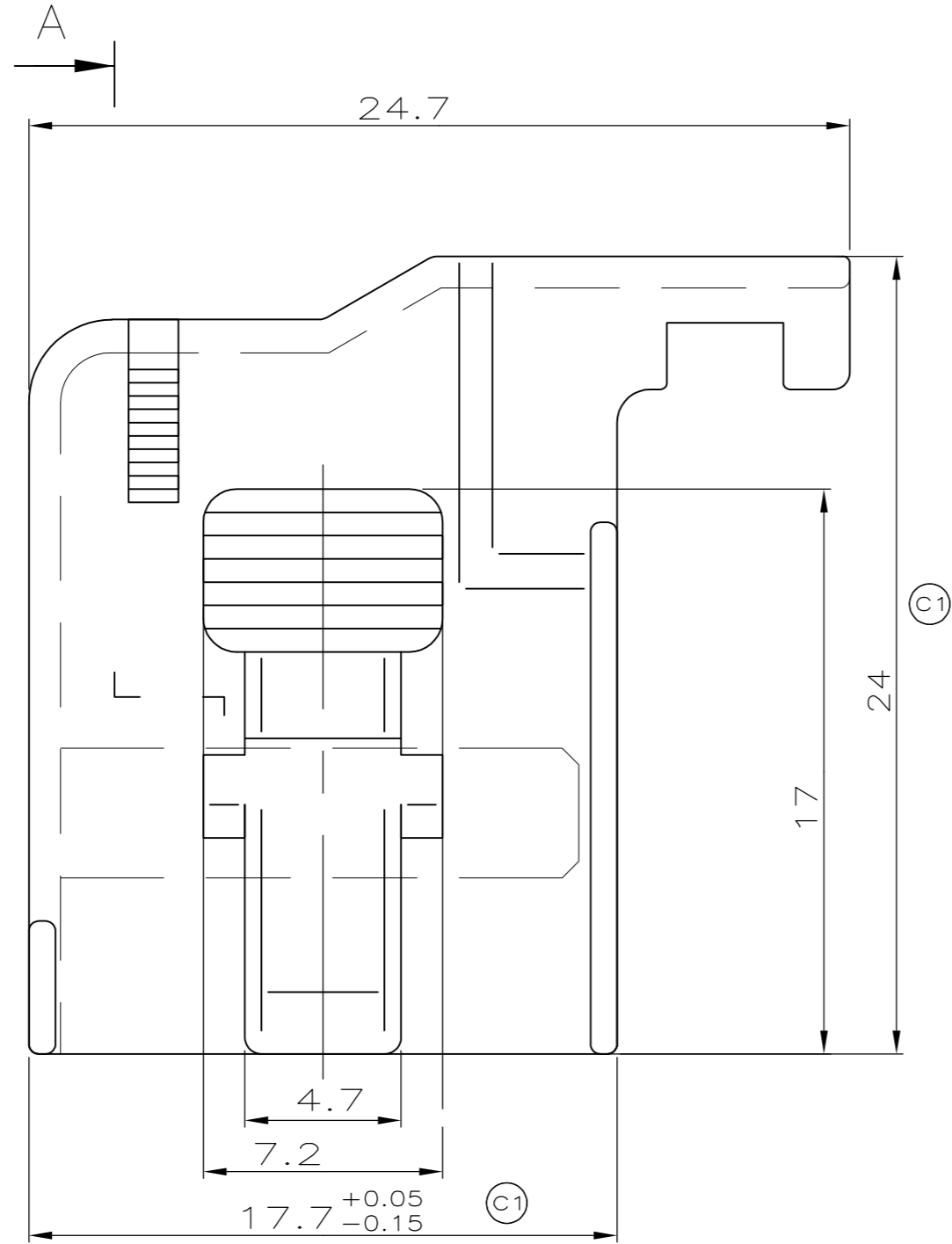


THIS DRAWING IS UNPUBLISHED. RELEASED FOR PUBLICATION
 © COPYRIGHT - By - ALL RIGHTS RESERVED.

LOC		DIST		REVISIONS			
P	LTR	DESCRIPTION		DATE	DWN	APVD	
		C2		INCLINATION CHANGED TO 1.5MM [NOTE 1]		18AUG11	MHM RP

Schnitt A-D

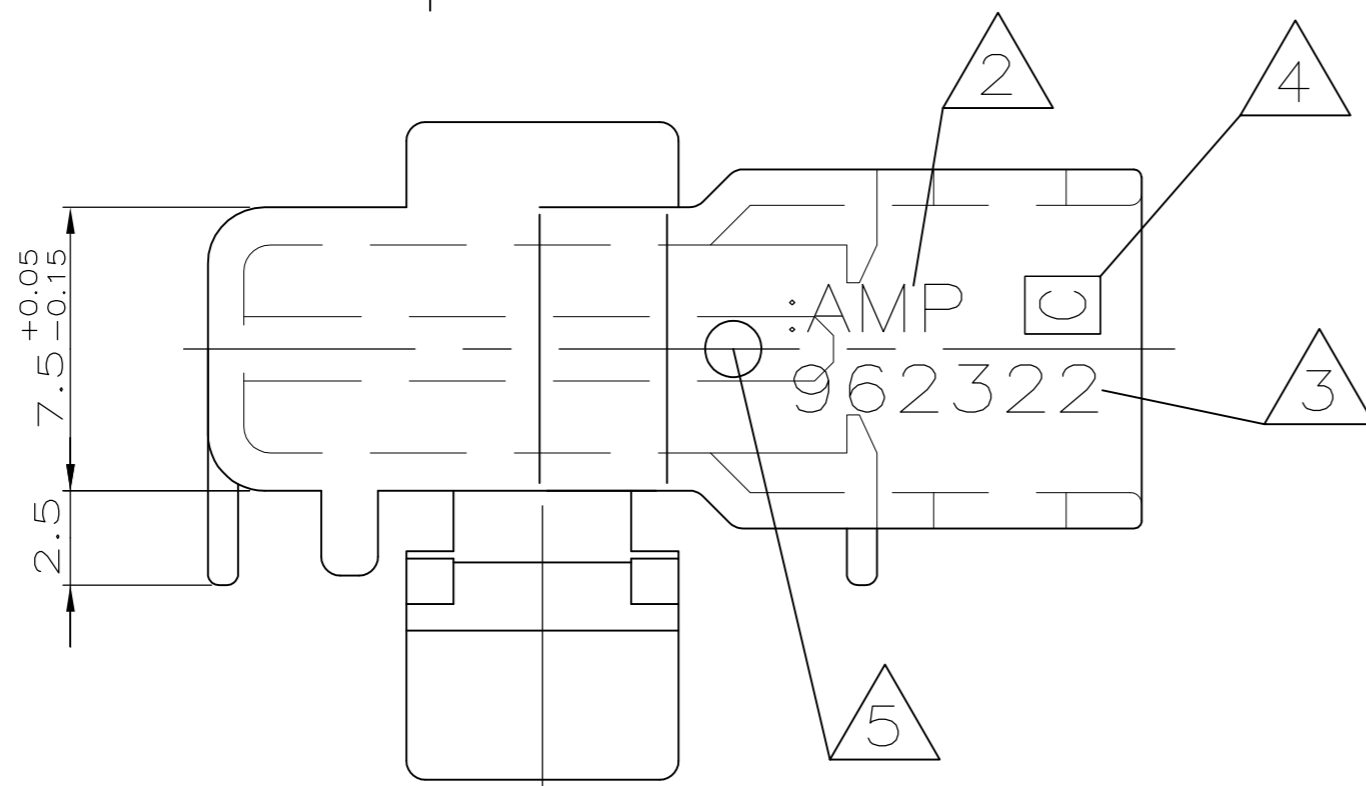


Bemerkungen
NOTES

- 1 Einfall bis 1.5mm zulässig
INCLINATION TO 1.5mm PERMITTED
- 2 AMP-Logo
AMP-LOGO
- 3 TE-Bestell-Nr.
TE ORDER NO.
- 4 Werkzeugänderungsindex
REVISION STATUS OF THE MOULD
- 5 Nestmarkierung
CAVITY MARKING

ONLY FOR OPEL

Muß mit Gehäuse TE-Nr. 0-962321-1 verwendet werden !
 MUST TO BE USED WITH HOUSING TE-NO. 0-962321-1 !



NUMMER	VERWENDET FÜR	WAR NR.
962322	962 231 1-89-52021-2	A89-52023-2

BESTELL-NR. [ORDER NO.]	REV	POS	STUCK	BENENNUNG EINZELTEIL [DESCRIPTION]	WERKSTOFF [MATERIAL]	OBERFLÄCHE FARBE [COLOR]
0-962322-1	C	1	1	ABDECKKAPE [COVER]	PA66	SCHWARZ [BLACK]

THIS DRAWING IS A CONTROLLED DOCUMENT.		DWN H.HERRMANN 11.07.89	TE TE Connectivity	
DIMENSIONS: mm		CHK D.JAKOBEIT 12.07.89		
TOLERANCES UNLESS OTHERWISE SPECIFIED:		APVD -	NAME	
0 PLC ± 0.2		PRODUCT SPEC -	COVER FOR 2X6 POS. MODU IV SOCKET HOUSING [ABDECKKAPE FUER 2X6 POL. MODU IV GEHAEUSE]	
1 PLC ± 0.2		APPLICATION SPEC -	SIZE	CAGE CODE
2 PLC ± 0.2		WEIGHT -	A2	00779
3 PLC ± -		CUSTOMER DRAWING	DRAWING NO	
4 PLC ± -		SCALE	C=962322	
ANGLES ± 2°		SCALE 5:1	SHEET 1 of 1	
FINISH SEE TABLE		SCALE 5:1	REV C2	

Mouser Electronics

Authorized Distributor

Click to View Pricing, Inventory, Delivery & Lifecycle Information:

[TE Connectivity:](#)

[962322-1](#)