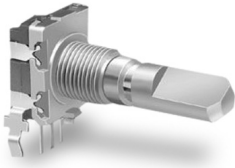


11mm Rotary Encoder

Type DP11 Series

Type DP11 Series



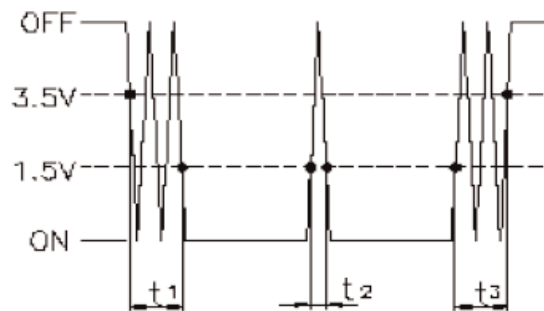
11mm Rotary incremental encoder for use in electronic equipment. Can be supplied with or without switch with customisation to standard options

Key Features

- 11mm Rotary Encoder
- Incremental Type
- Push on Switch Option
- Various Shaft Lengths
- Pulse Options
- Detent Options

Characteristics - Electrical

| | |
|--|----------------------------------|
| Pulses: | 15, 20 |
| Contact Rating: | 10mA 5VDC |
| Dielectric Strength: | 300VAC / 1mA, 1 minute |
| Insulation Resistance (min): | 100M ohms at 250VAC |
| Operating Speed (RPM): | 60 RPM |
| Switch Power Rating (where fitted): | 16VDC, 3A (10mA Min) |
| Switch Contact Resistance: | 100m ohm Max |
| Electrical Travel: | Continuous |
| Rotational Noise: | t2 = 2.0 ms max (see below) |
| Chattering: | t1 & t3 = 3.0 ms max (see below) |



Code Off area V = 3.5V or more. Code on area V=1.5V or less

Characteristics - Mechanical

| | |
|--|---|
| Total Mechanical Travel: | Continuous |
| Detents: | 0, 20, 30 |
| Switch Operating Force: | 612+/- 306gf (for 1.5mm Switch Travel 400+/- 200gf) |
| Switch Travel: | 0.5mm (1.5mm available on request) |
| Shaft Type: | F – Flatted, K – Knurled, S – Slotted, P - Plain |
| Shaft Length (from Mounting Surface): | 15, 20, 25, 30 (FMF) |

Characteristics - Environmental

| | |
|------------------------------|---------------------|
| Operating Temperature | -10 ~ +45 degrees C |
| Rotational Life | 15,000 Cycles |

Output Signal Format

| Shaft Rotational Direction | Signal | Format |
|----------------------------|------------------|-----------|
| Clockwise | A (Terminal A-C) | OFF ON |
| | B (Terminal B-C) | OFF ON |
| Anticlockwise | A (Terminal A-C) | OFF ON |
| | B (Terminal B-C) | OFF ON |

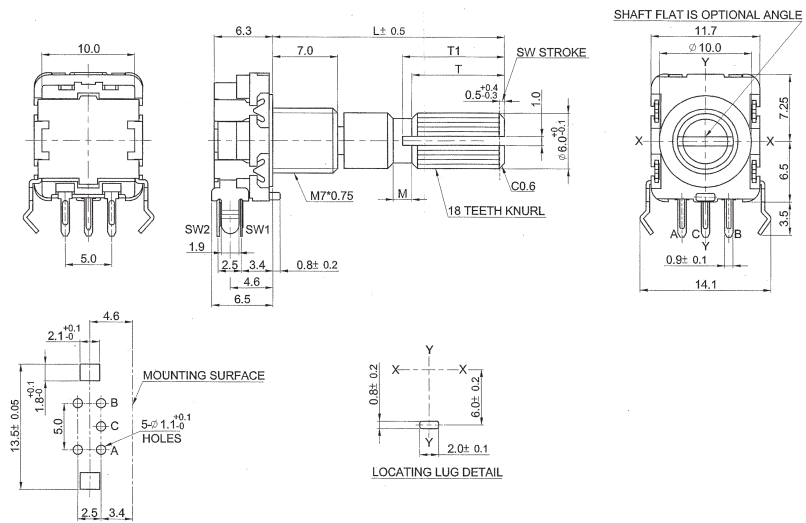
11mm Rotary Encoder

Type DP11 Series

Dimensions DP11H



DP11SH



Dimensions DP11V



DP11SV



Shaft Dimensions

| Bush | | 5mm | | | | 7mm | | | |
|-------|------|-----|----|----|----|-----|----|----|----|
| Shaft | Code | | | | | | | | |
| K | L | 15 | 20 | 25 | 30 | 15 | 20 | 25 | 30 |
| | T1 | 7 | 7 | 11 | 14 | 6 | 7 | 11 | 14 |
| | T | 6 | 6 | 10 | 12 | 5 | 6 | 10 | 12 |
| | M | 2 | 2 | 2 | 4 | 1 | 1 | 2 | 4 |
| F | L | 15 | 20 | 25 | 30 | 15 | 20 | 25 | 30 |
| | F | 7 | 12 | 12 | 12 | 5 | 7 | 12 | 12 |

How to Order

| DP11 | H | N | 15 | A | 15 | F |
|---|--------------------------------|--|----------------------------------|---|--|--|
| Common Part | Orientation | Detent | Pulses | Bush Details | Shaft Length | Shaft Style |
| DP11 – No Switch DP11S – With Switch | H - Horizontal V - Vertical | N - None 20 – 20 clicks 30 – 30 clicks | 15 – 15 Pulses 20 – 20 Pulses | A – M7 x 5mm B – M7 x 7mm (standard) | 15 – 15mm FMF 20 – 20mm FMF 25 – 25mm FMF 30 – 30mm FMF | K - Knurled F - Flatted S - Slotted P - Plain |

Mouser Electronics

Authorized Distributor

Click to View Pricing, Inventory, Delivery & Lifecycle Information:

[TE Connectivity:](#)

[DP11HN15A15P](#)