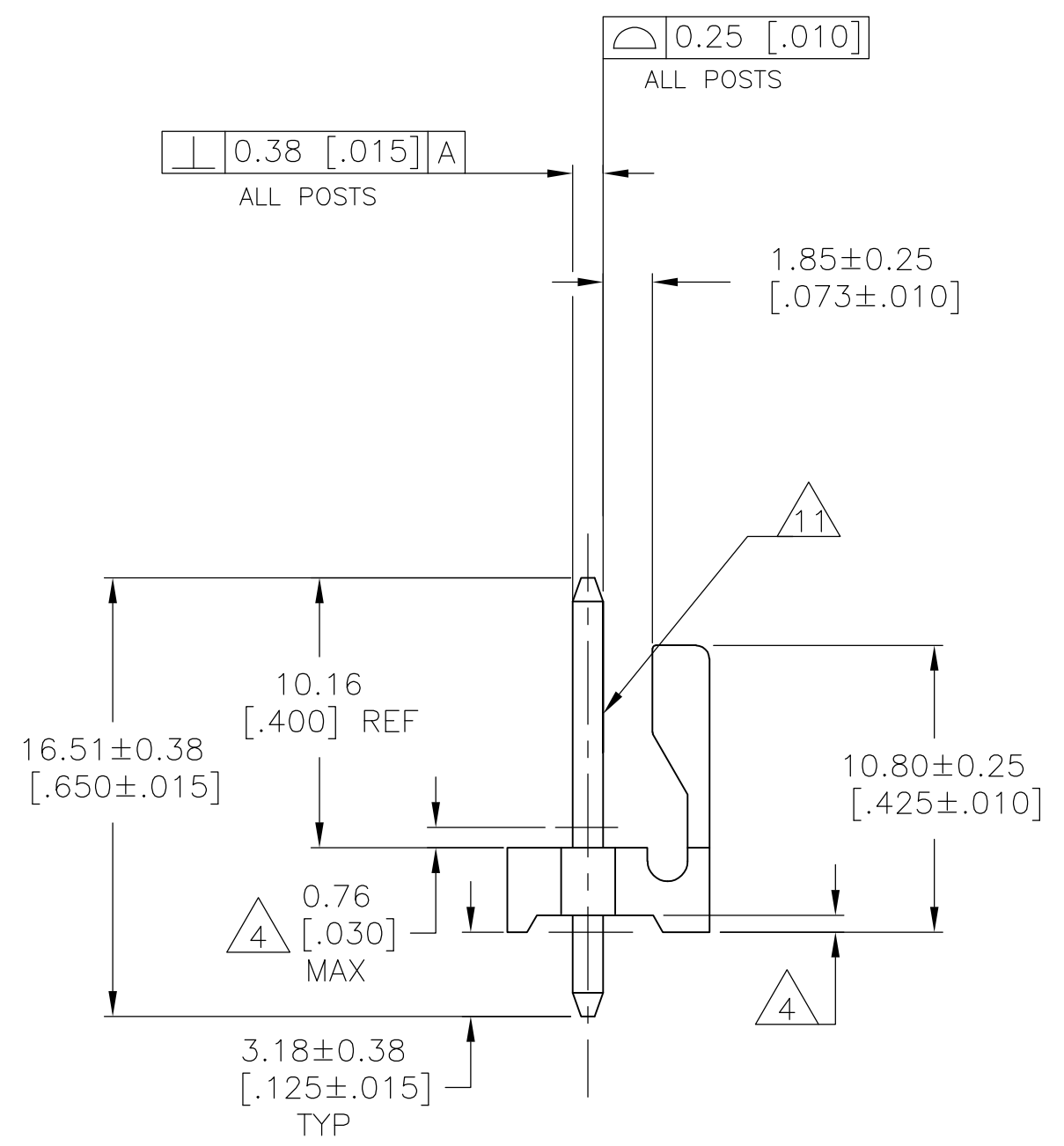
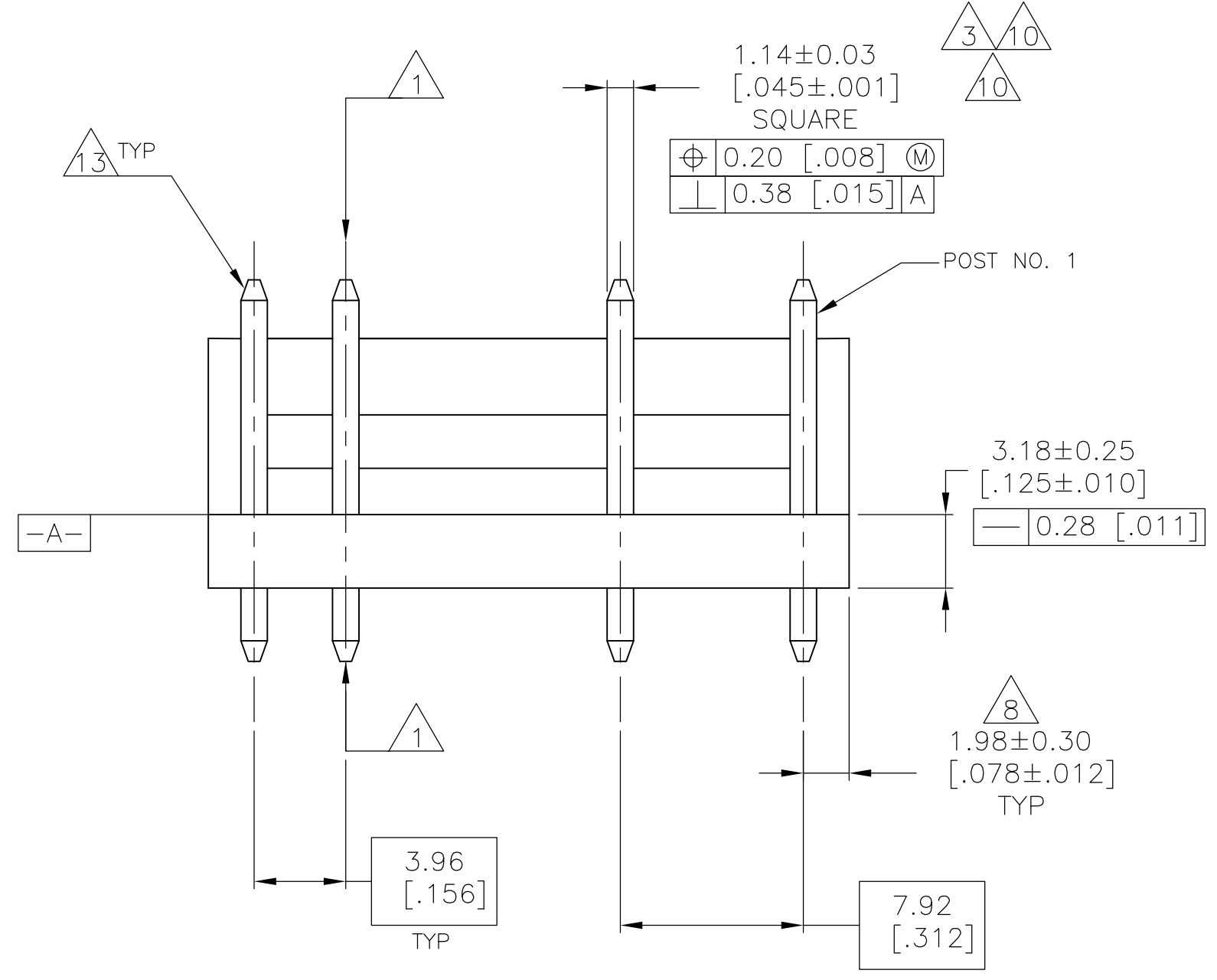
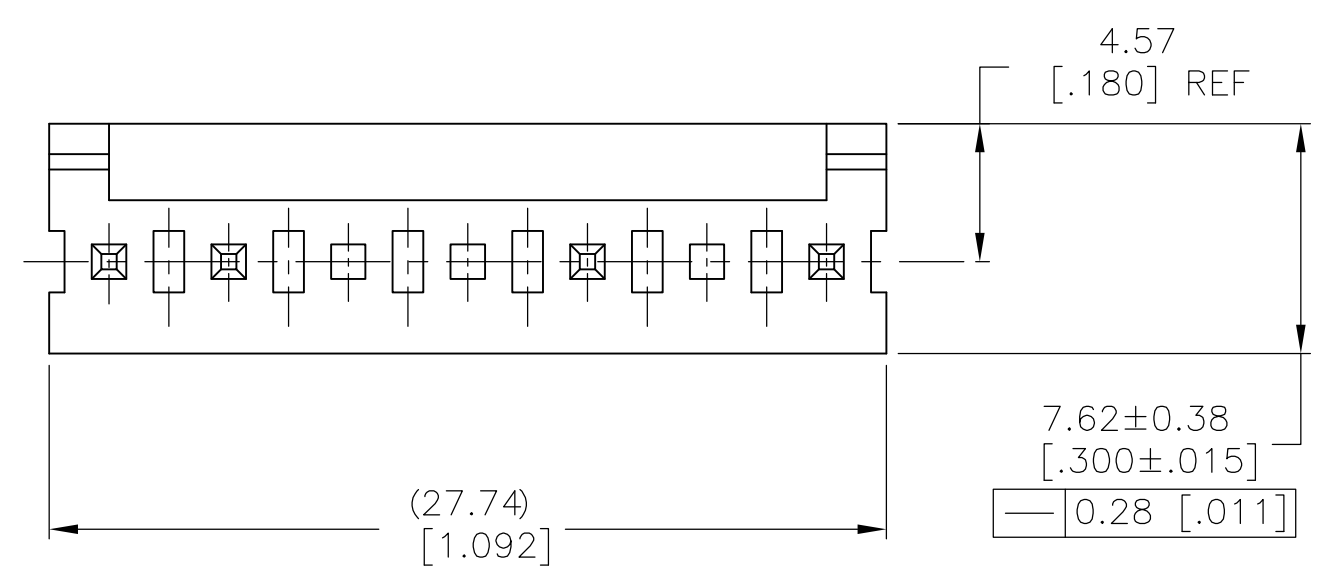


RECOMMENDED MOUNTING HOLE PATTERN FOR 1.60 [.063] THICK P.C. BOARD



- 1 POST TO WITHSTAND 13 NEWTONS (3 LBS.) MIN. AXIAL FORCE IN BOTH DIRECTIONS SHOWN WITHOUT DISLODGING.
- 2 TOLERANCES APPLY TO SOLDER SIDE OF BOARD.
- 3 MEASURED AT SURFACE -A-
- 4 PLASTIC FLASH PERMITTED IN THIS AREA.
- 5 PARTS COMPLY WITH AMP SOLDER ABILITY SPEC. NO. 109-11-2
- 6 ONE HOLE MAY BE UNDERSIZED 1.65/1.52 [.065/.060] DIA. FOR ASSEMBLY RETENTION DURING WAVE SOLDERING.
- 7 MATERIAL: HEADER-THERMOPLASTIC POLYESTER  
GLASS-FILLED 94-0 (NATURAL)  
POST-COPPER ALLOY (TIN PLATED)
- 8 COORDINATE DIMENSIONS APPLIES FROM CENTER OF ACTUAL FEATURE.
- 9 PLASTIC BURRS CAUSED BY CUTOFF TOOLING ARE PERMITTED WITHIN THE MAXIMUM TOLERANCE ENVELOPE.
- 10 POST TO BE MEASURED WHEN STRIP IS HELD FLAT.
- 11 POST MUST WITHSTAND TWO 90° BENDS AGAINST EXTRUSION WITHOUT BREAKING.
- 12 DIMENSION SHOULD BE .175 MIN WHEN MATING WITH A MTA .156 CONNECTOR ASSY. OR A SL-.156 CONNECTOR ASSY.
- 13 PIN BURR OF .005 MAX. VERTICAL AND .003 MAX. HORIZONTAL PERMITTED AT POST TIPS ON BOTH ENDS.
- 14 SPECIAL PACKAGING VARIATION FOR IMPROVED PRODUCT PROTECTION.

|                     |             |
|---------------------|-------------|
| 5                   | 2-643464-3  |
| 2                   | 2-643464-2  |
| 1,4,&6              | 1-643464-4  |
| 2 & 5               | 1-643464-3  |
| 2,4,&5              | 1-643464-2  |
| 2,3,5,&6            | 1-643464-1  |
| 4&6                 | 1-643464-0  |
| 3,6                 | 643464-9    |
| 4                   | 643464-7    |
| 2,4,&6              | 643464-6    |
| 6                   | 643464-5    |
| 3                   | 643464-4    |
| 5                   | 643464-3    |
| 2                   | 643464-2    |
| 2 & 4               | 643464-1    |
| POST NUMBER OMITTED | PART NUMBER |

1-643464-2 SHOWN

|  |        |                        |   |
|--|--------|------------------------|---|
| THIS DRAWING IS A CONTROLLED DOCUMENT. |        | DWN S. HOOVER 22MAY02  | <br>TE Connectivity   |
| DIMENSIONS: mm [INCHES]                |        | CHK D. BOSSI 22MAY02   |   |
| TOLERANCES UNLESS OTHERWISE SPECIFIED: |        | APP'D D. BOSSI 22MAY02 | NAME  |
| 0. PLC                                 | ±      | PRODUCT SPEC           | MTA -156 HEADER ASSEMBLY, FRICTION LOCK, STRAIGHT, .045 SQUARE POST, TIN PLATED, 7 POSITION, OMITTED POST |
| 1. PLC                                 | ±      | APPLICATION SPEC       |   |
| 2. PLC                                 | ±      | SIZE                   | A1  |
| 3. PLC                                 | ± .005 | DATE CODE              | 00779   |
| 4. PLC                                 | ±      | DRAWING NO             | 643464  |
| ANGLES                                 | ±      | RESTRICTED TO          |   |
| FINISH                                 | ±      | WEIGHT                 |   |
|  |        | CUSTOMER DRAWING       | SCALE 4:1 SHEET 1 OF 1 REV AC   |

# Mouser Electronics

Authorized Distributor

Click to View Pricing, Inventory, Delivery & Lifecycle Information:

[TE Connectivity:](#)

[1-643464-1](#)