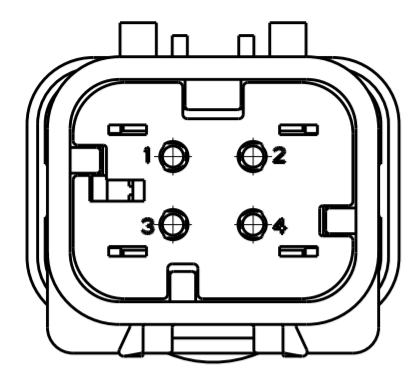
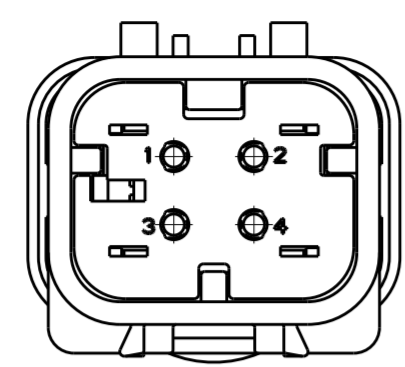


THIS DRAWING IS UNPUBLISHED
RELEASED FOR PUBLICATION
COPYRIGHT 20 BY - ALL RIGHTS RESERVED.

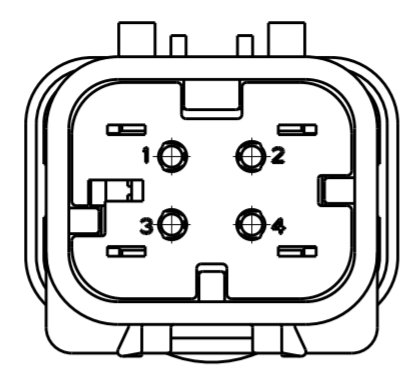
REVISIONS				
P	LTR	DESCRIPTION	DATE	APVD
	D	REVISED PER ECO-13-019168	05DEC2013	DR RB



776488-2
SCALE 2:1

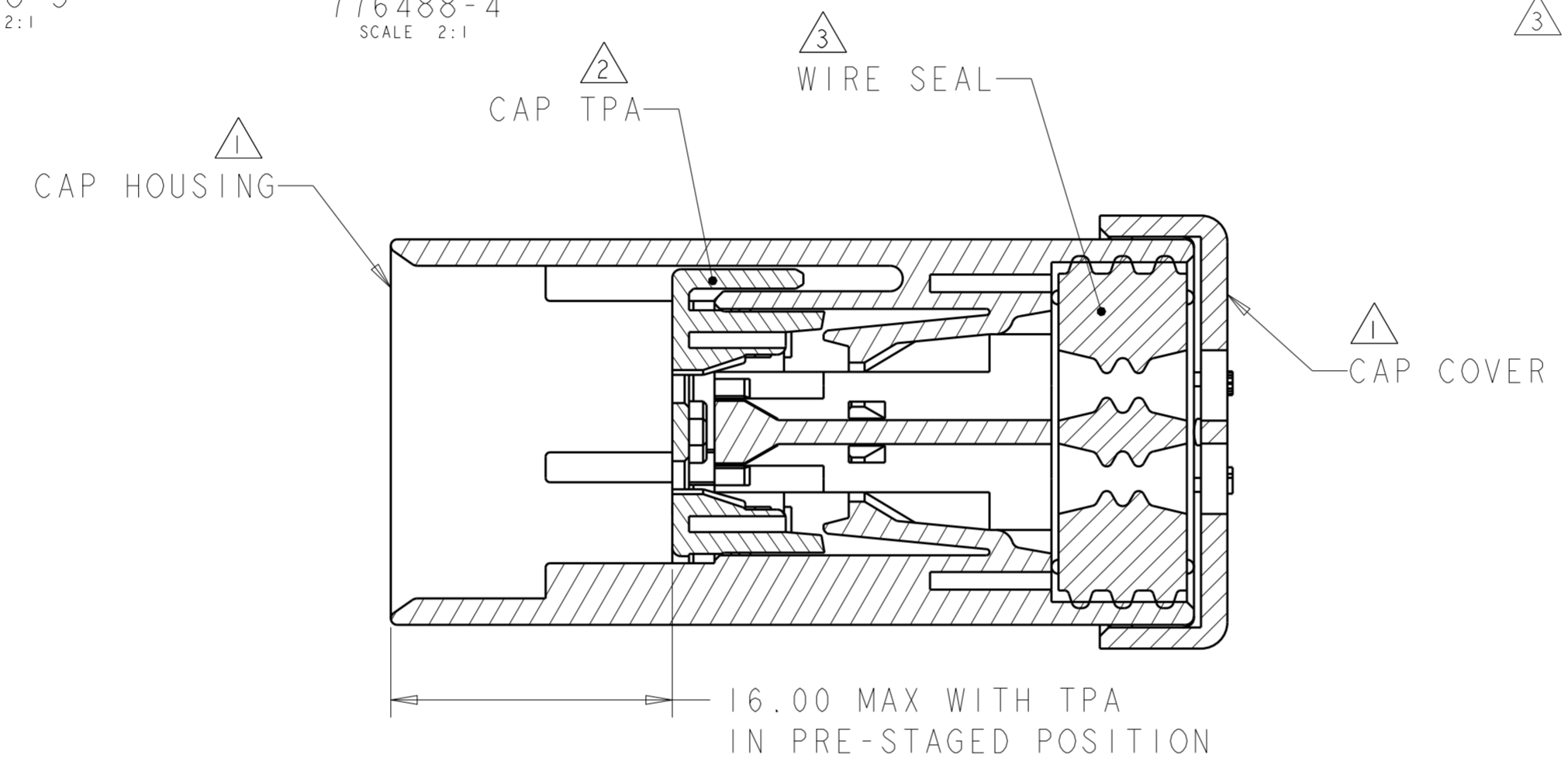


776488-3
SCALE 2:1

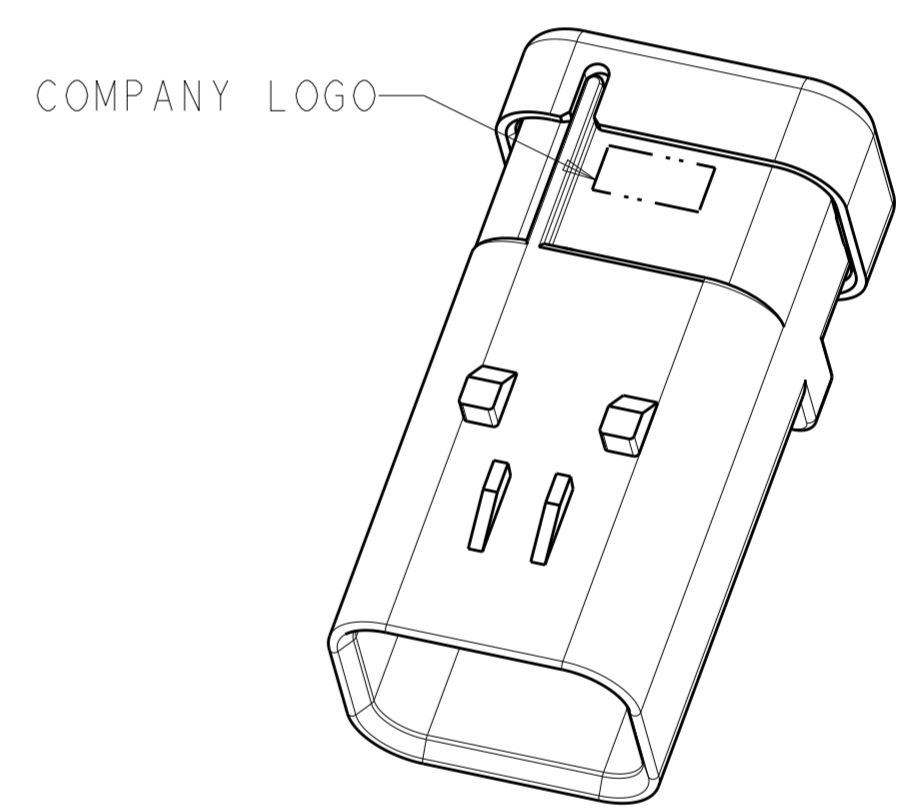


776488-4
SCALE 2:1

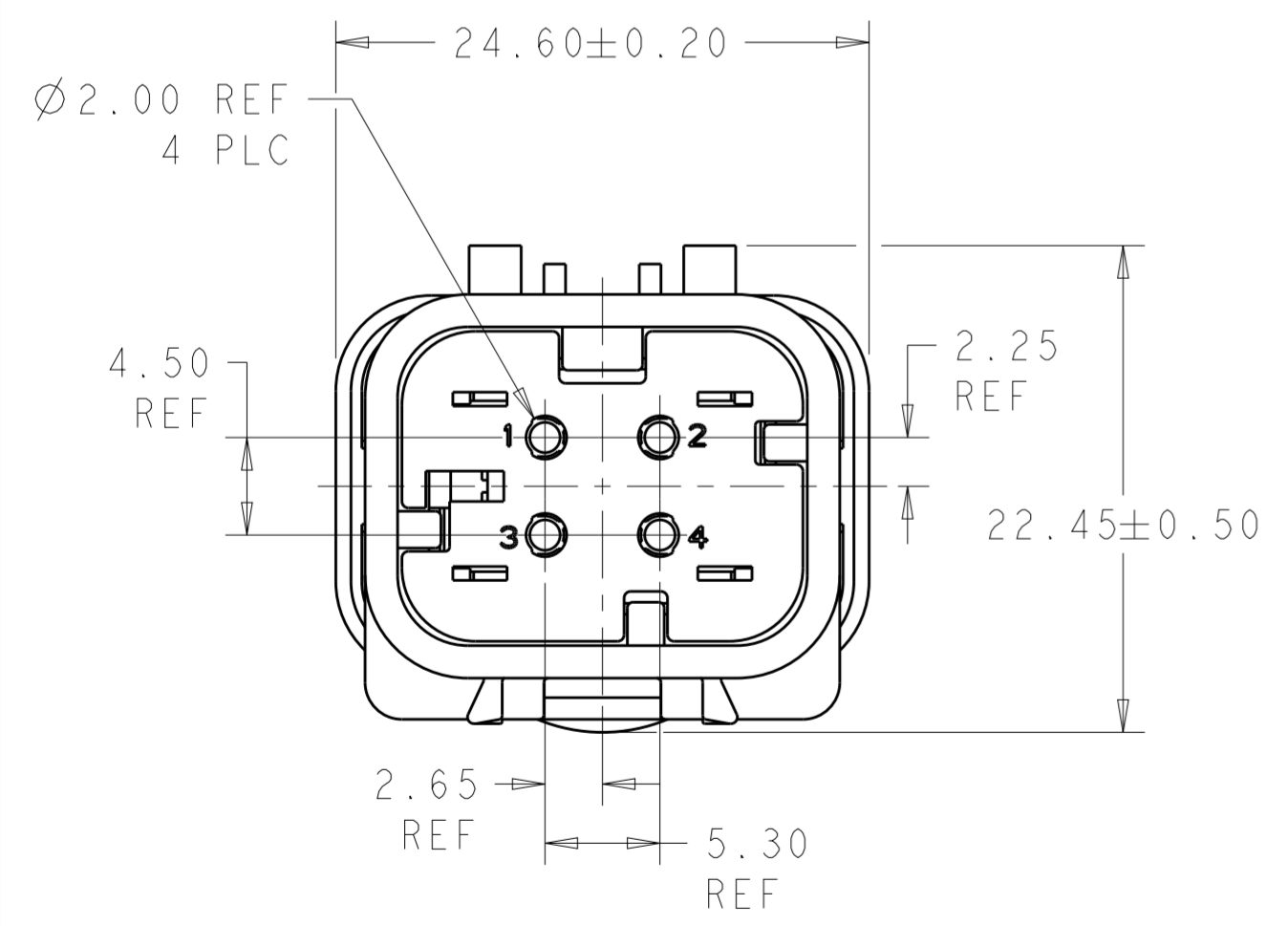
- ① MATERIAL: 15% GLASS FILLED THERMOPLASTIC
COLOR: BLACK
- ② MATERIAL: 15% GLASS FILLED THERMOPLASTIC
COLOR: (SEE TABLE)
- ③ MATERIAL: SILICONE
COLOR: GREEN



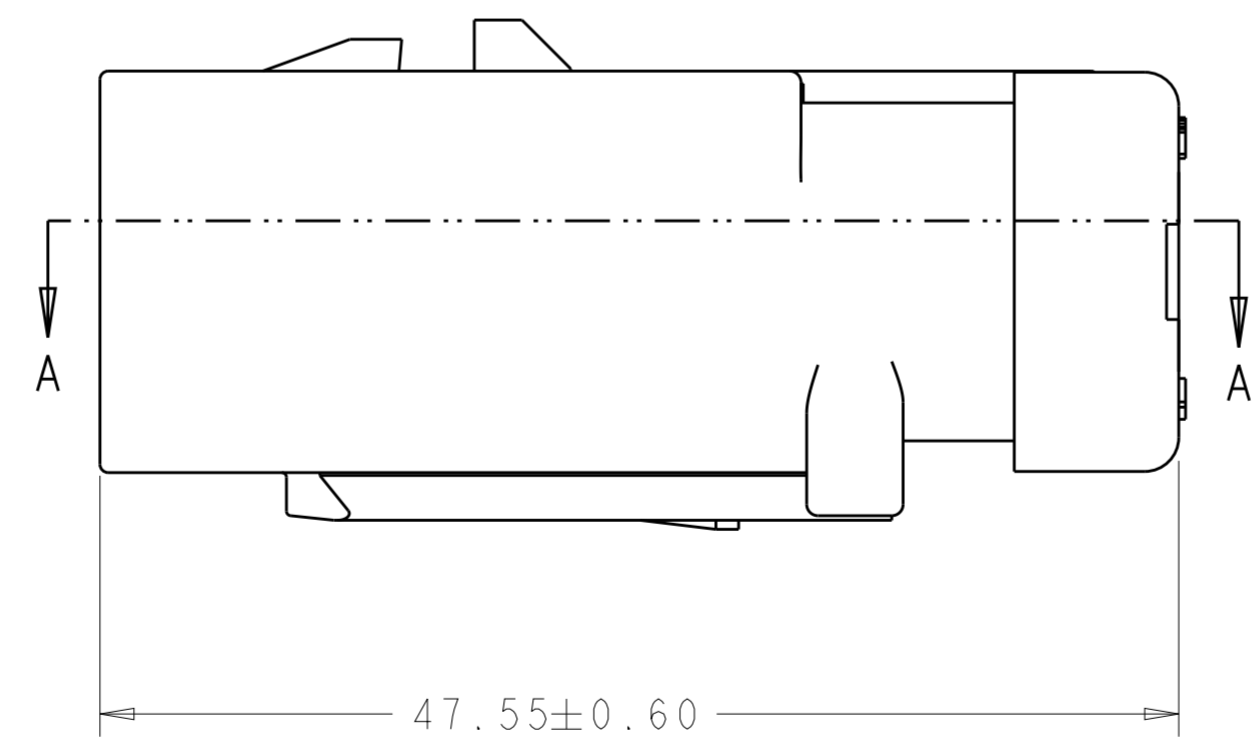
SECTION A-A



SCALE 2:1



776488-1 SHOWN



GREEN	776488-4
YELLOW	776488-3
GRAY	776488-2
RED	776488-1
TPA COLOR	PART NUMBER

THIS DRAWING IS A CONTROLLED DOCUMENT.		DWN W. HOELSCHER 16DEC02	TE Connectivity CAP ASSEMBLY, 4 POSITION, DUAL ROW, AMPSEAL 16		
DIMENSIONS:		CHK B. SIMPSON 18DEC02			
TOLERANCES UNLESS OTHERWISE SPECIFIED:		APVD D. KLEIN 18DEC02			
mm		PRODUCT SPEC 108-2184			
		APPLICATION SPEC 114-13065	SIZE A200779	CAGE CODE C-776488	RESTRICTED TO
MATERIAL		WEIGHT 14	DRAWING NO C-776488		SCALE 3:1
		Customer Drawing	SHEET 1		REV D

Mouser Electronics

Authorized Distributor

Click to View Pricing, Inventory, Delivery & Lifecycle Information:

[TE Connectivity:](#)

[776488-1](#)