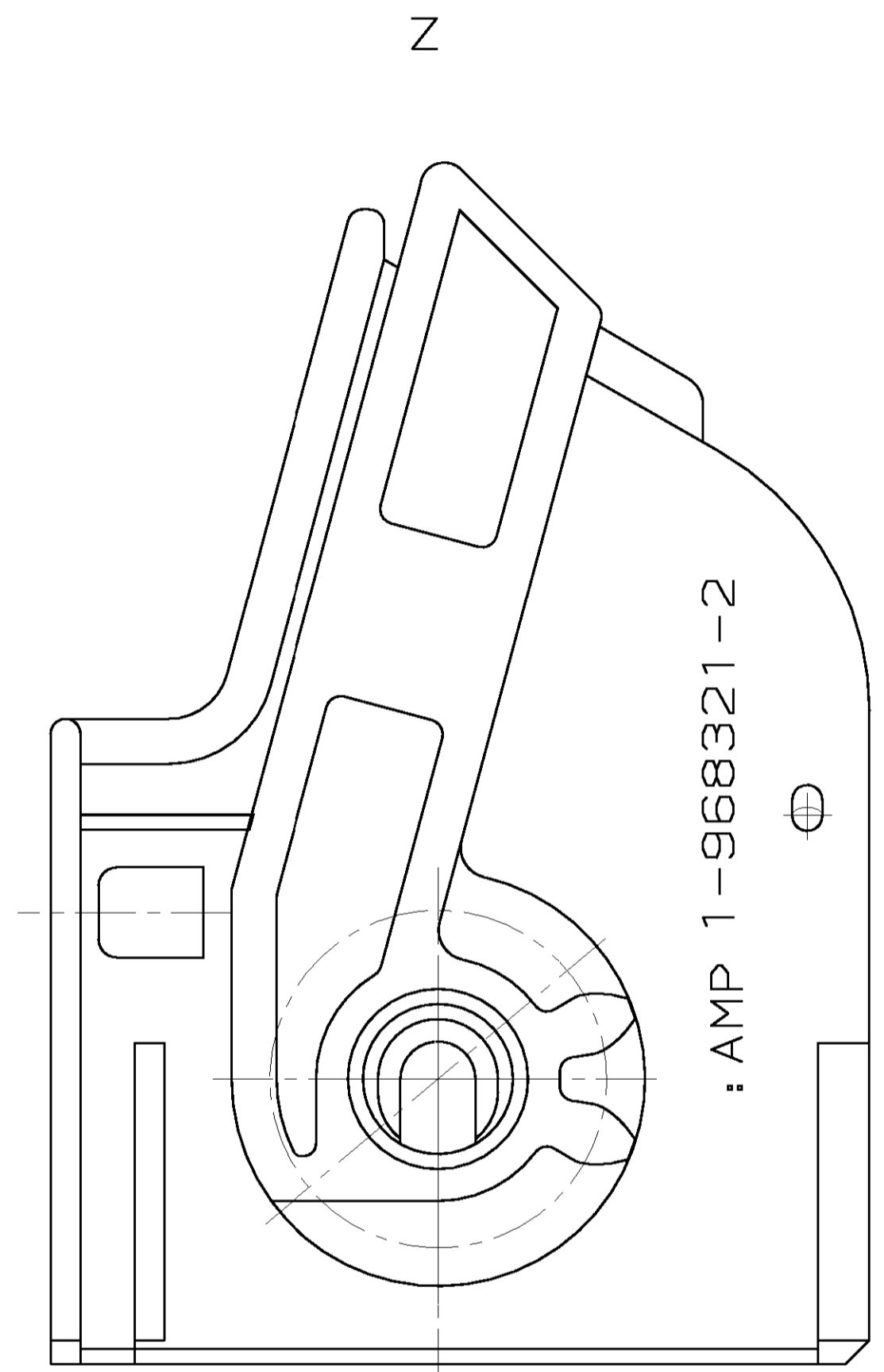
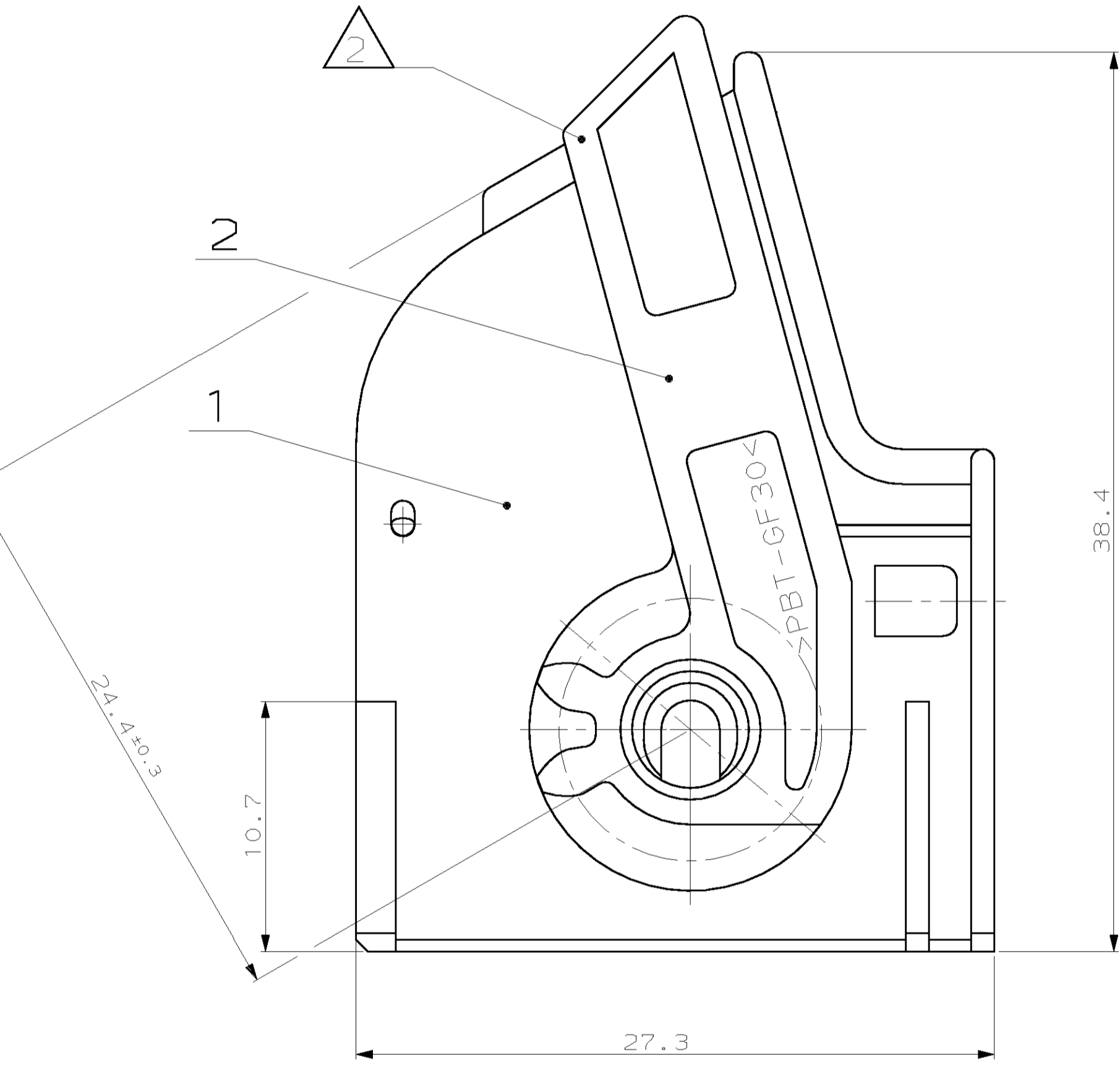
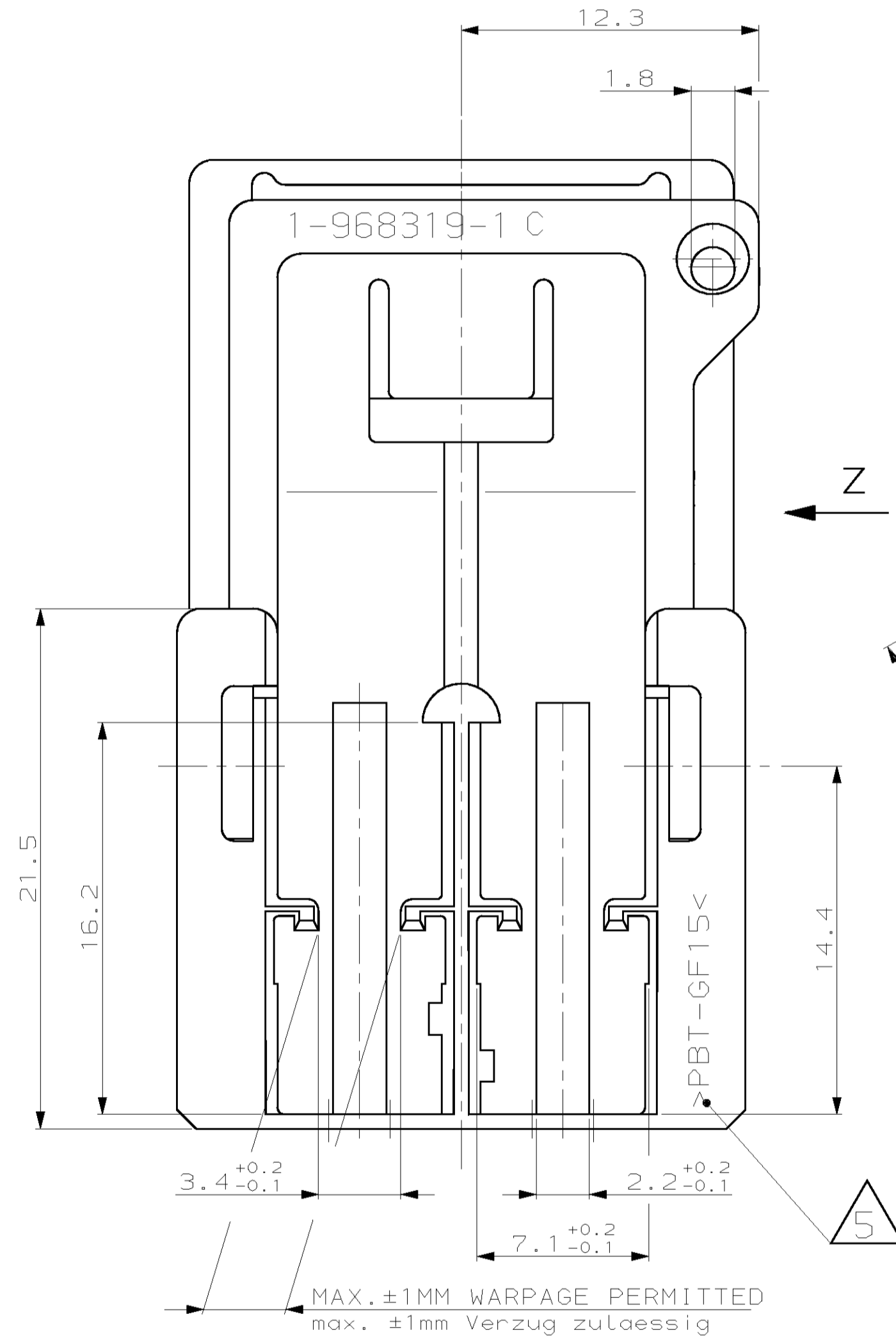
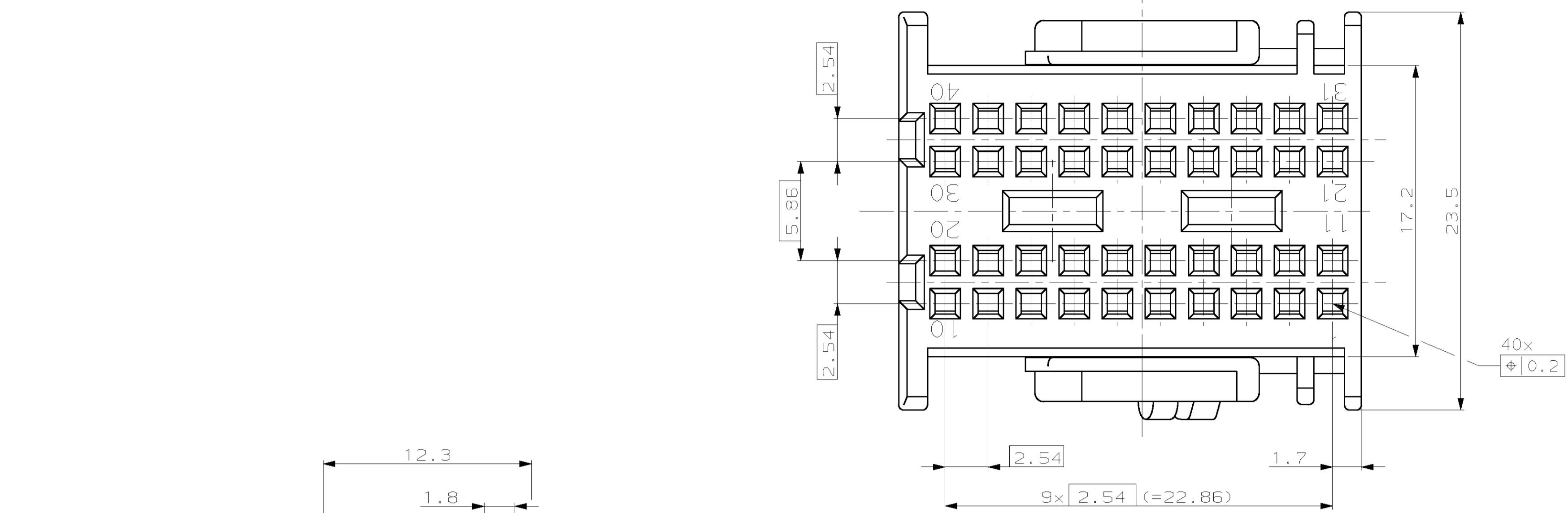
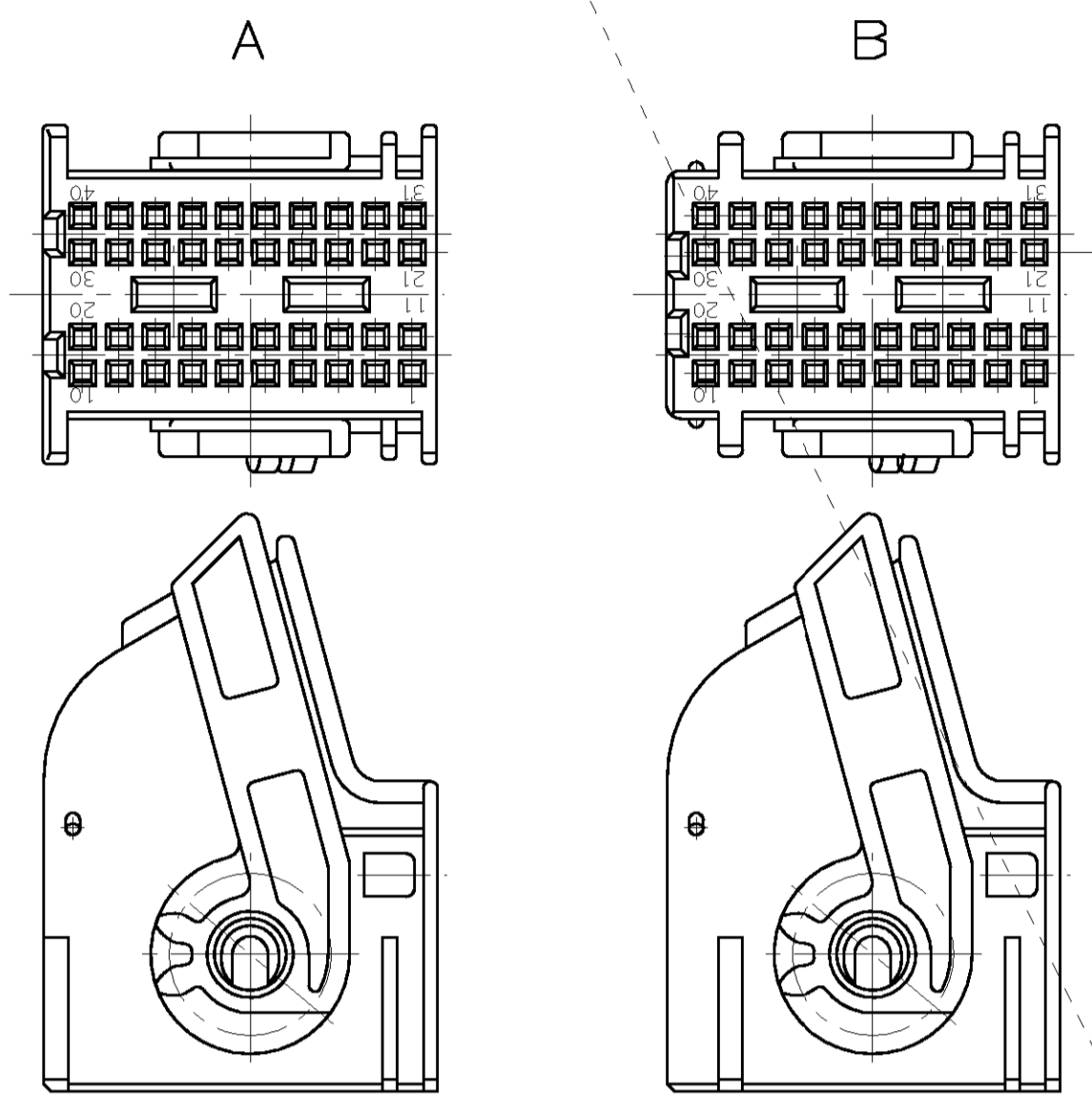


LOC	DIST	REV	LYR	DESCRIPTION	DATE	DN	APVD
A1	-	F	-	Zeichnung erstellt	12.04.2000	SBL	-
A2	-	F	-	Zeichnung ueberarbeitet	29.05.2000	SBL	-
B	-	F	-	Schlitz für Rasthaken einseitig entfernt.	28.05.01	MMO	-
C	-	F	-	Material geändert in PBT-GF15H1 (Pos. 1)	16.04.02	SBL	-

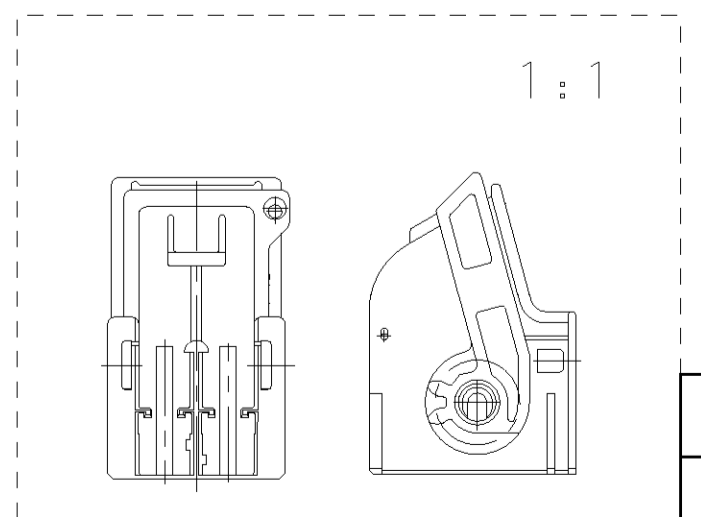


**CODINGS**  
 Kodierungen 2:1



**REMARKS**  
 Bemerkungen

- ACCORDING TO SOCKET HOUSING, 40POS.  
 tyco NO.: 968 322  
 Passend zu Buchsengehäuse, 40pol.  
 tyco Nr.: 968 322
- SUPPLY CONDITION: LEVER IN END-LOCKED POSITION**  
 Auslieferungszustand: Hebel in Endraststellung
- POSITION FOR MATERIAL IDENTIFICATION,  
 DATE INSERT AND ORDER-NO. ARE  
**IN RESPONSIBLE TO MANUFACTURER**  
 Die Lage der Beschriftung für die Materialkennzeichnung,  
 Datum und Bestellnummern ist dem Hersteller überlassen
- ONLY THE GERMAN-LANGUAGE VERSION SHALL BE BINDING**  
 Maßgebend ist der deutsche Text
- THE EXTENSION "HI" IS NOT MARKED ESPECIALLY (PBT-GF15H1)**  
 Die Erweiterung "HI" wird nicht speziell aufgeführt



REV	QTY	DESCRIPTION	MATERIAL	COLOR	ITEM NO
1	1	LEVER/Hebel	PBT-GF30	GREY/grau	2
1	1	SHIELD/Abdeckkappe	PBT-GF15H1	BLACK/schwarz	1

DIMENSIONS: mm TOLERANCES UNLESS OTHERWISE SPECIFIED: ALL DIMENSIONS P. 150 9015 P. 150 0786 P. DIN 18901 - 140	OTHER TOLERANCES UNLESS OTHERWISE SPECIFIED: ALL DIMENSIONS P. 150 9015 P. 150 0786 P. DIN 18901 - 140	FINISH/SURFACE/FARBE - - -	WEIGHT 7.4g	CUSTOMER DRAWING /KUNDENZEICHNUNG	DRAWING NO. 00779	TECHNICAL NO. 968321	DATE 12-APR-00	DRAWN BY Blidar	CHECKED BY J. Hahn	DATE 12-APR-00	DRAWN BY J. Hahn	CHECKED BY J. Hahn	DATE 12-APR-00	DRAWN BY J. Hahn	CHECKED BY J. Hahn	DATE 12-APR-00	DRAWN BY J. Hahn	CHECKED BY J. Hahn	DATE 12-APR-00	DRAWN BY J. Hahn	CHECKED BY J. Hahn	DATE 12-APR-00
-----------------------------------------------------------------------------------------------------------------------------------	--------------------------------------------------------------------------------------------------------------------	-------------------------------------	----------------	--------------------------------------	----------------------	-------------------------	-------------------	--------------------	-----------------------	-------------------	---------------------	-----------------------	-------------------	---------------------	-----------------------	-------------------	---------------------	-----------------------	-------------------	---------------------	-----------------------	-------------------

# Mouser Electronics

Authorized Distributor

Click to View Pricing, Inventory, Delivery & Lifecycle Information:

[TE Connectivity:](#)

[2-968321-1](#)