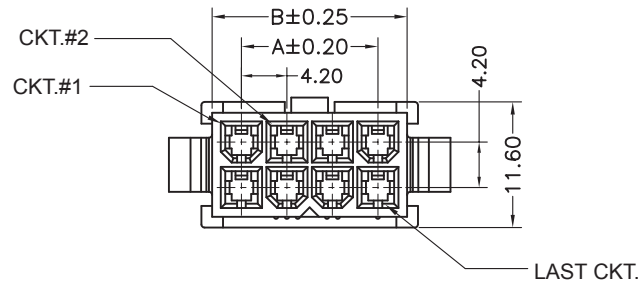
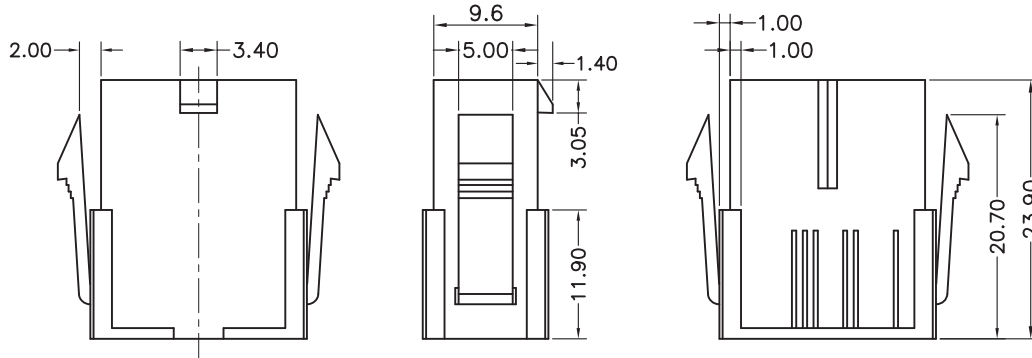


Recommended Panel Cut-out Thickness = 1,40 ±0,40



TECHNICAL CHARACTERISTICS

MATERIAL
 INSULATOR: NYLON 66
 FLAMMABILITY RATING: UL94-V0
 COLOR: WHITE
 PITCH: 4.20 MM

ENVIRONMENTAL
 OPERATING TEMPERATURE: -40 UP TO 105°C
 COMPLIANCE: LEAD FREE AND ROHS

ELECTRICAL
 INSULATOR RESISTANCE: >1000 MOHM
 DIELECTRIC WITHSTANDING VOLTAGE: 1500 VAC/MN

STANDARD
 CERTIFIED: E323964

SOLDERING
 JEDEC LEAD FREE WAVE SOLDERING PROCESS

PACKAGING
 BAG

DIMENSION
 A = 4.20 x (NB PIN / 2 - 1)
 B = 4.20 x (NB PIN / 2) + 1.30
 C = 4.20 x (NB PIN / 2) + 6.60

RoHS Compliant

J			
I	12-APR-17	TPK	AK
H	16-JAN-17	ELECTRICAL	AK
REV	DATE	FILE	BY

PROJECTION:

GENERAL TOLERANCE
 .X = +/- 0.2
 .XX = +/- 0.15

DESCRIPTION: WR-MPC4 - 4.20MM MALE DUAL ROW PLUG WITH
 PANEL MOUNT EARS

APPROVAL: BBu

UNIT: MM
 SCALE:
 SHEET: 1/3
 DRAW: AS

WERI PART NO: 649 0xx 218 22

SIZE
A4

1

2

3

4

5

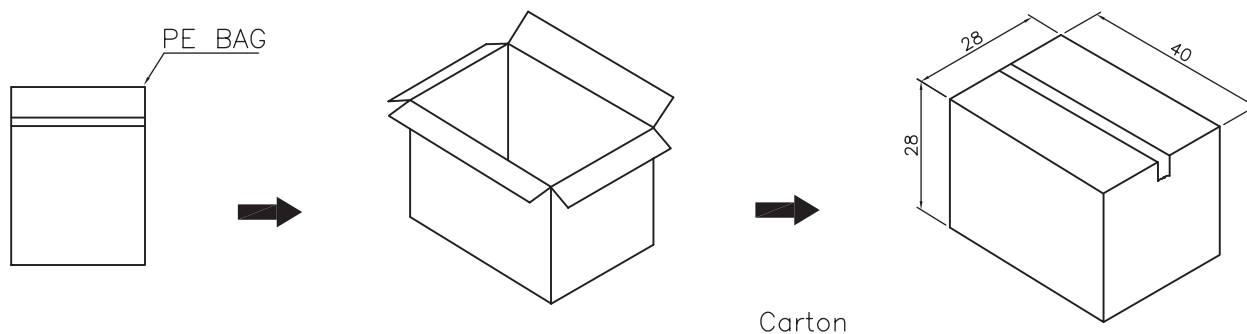
Note:


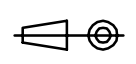
1.Dimension:

Carton Size:40*28*28(cm)

2.Quantity:

Pin.	Pcs/Bag	Pcs/Carton	Pin.	Pcs/Bag	Pcs/Carton
2	200	5600	14	100	1600
4	200	4600	16	100	1200
6	100	3000	18	100	1000
8	100	2400	20	100	1000
10	100	2000	22	50	800
12	100	1800	24	50	800



RoHS Compliant				PROJECTION:	GENERAL TOLERANCE		DESCRIPTION: WR-MPC4 - 4.20MM MALE DUAL ROW PLUG WITH PANEL MOUNT EARS	SIZE A4
G					.X = +/- 0.2			
F					.XX = +/- 0.15			
E				APPROVAL: BBu				
D								
C								
B								
A								
REV	DATE	FILE	BY					

1

2

3

4

5

Cautions and Warnings:

This electronic component is designed and developed with the intention for use in general electronics equipments.

Before incorporating the components into any equipments in the field such as aerospace, aviation, nuclear control, submarine, transportation, (automotive control, train control, ship control), transportation signal, disaster prevention, medical, public information network etc. where higher safety and reliability are especially required or if there is possibility of direct damage or injury to human body, Würth Elektronik must be asked for a written approval.

In addition, even electronic component in general electronic equipments, when used in electrical circuits that require high safety, reliability functions or performance, the sufficient reliability evaluation-check for the safety must be performed before by the user before usage.

A

B

C

RoHS Compliant

G				PROJECTION: 	GENERAL TOLERANCE .X = +/- 0.2 .XX = +/- 0.15		
F							
E							
D							
C				APPROVAL: JC	UNIT: MM	DESCRIPTION: DISCLAIMER	SIZE A4
B					SCALE:		
A	10-SEP-14	PDF	QL		SHEET: 3/3	WERI PART NO: DISCLAIMER	
REV	DATE	FILE	BY		DRAW: QL		

D

Mouser Electronics

Authorized Distributor

Click to View Pricing, Inventory, Delivery & Lifecycle Information:

[Würth Electronics:](#)

[64900821822](#) [64900421822](#) [64900221822](#) [64901021822](#) [64900621822](#) [64901221822](#) [64901421822](#)
[64901621822](#) [64901821822](#) [64902021822](#) [64902221822](#) [64902421822](#)