

NOTES:

1. SPECIFICATIONS

Current Rating: 1A AC,DC
 Voltage Rating: 125V AC,DC
 Temperature Range: -40°C ~ +105°C
 Contact Resistance: 20mΩ Max.
 Insulation Resistance: 100MΩ Min.
 Withstanding Voltage: 500V AC/minute
 Material: Natural Thermoplastic, UL94V-0

2. Part number of terminal for wire assembly: 10114827

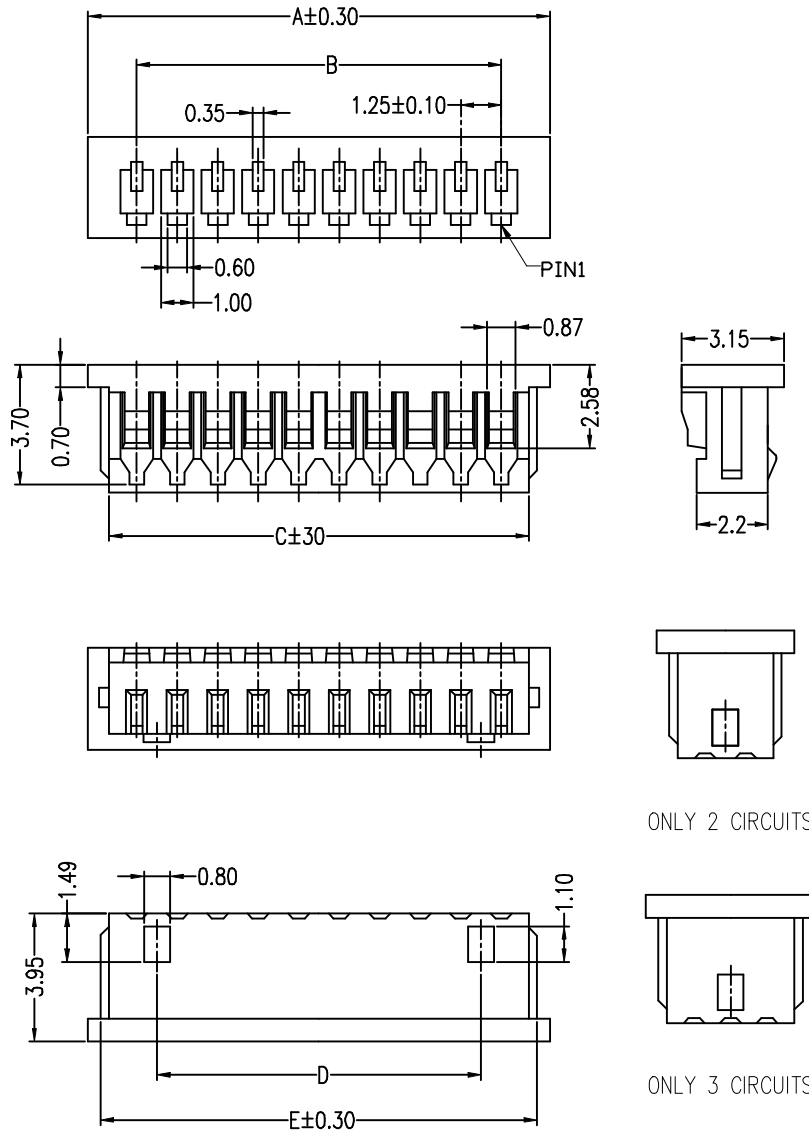
3. Ordering Information & Dimensions:

10114826- X 0 X XX LF

Material
 0: PA66 Natural
 1: PA66 Black
 2: PA66 Yellow
 3: PA66 Natural Glow
 Wire Compatible

LF: See note A
 pin counts from 02~15

Packaging
 0: Bulk



ONLY 2 CIRCUITS

ONLY 3 CIRCUITS

PART NO.	Dimensions				
	A	B	C	D	E
10114826-x0x02LF	4.25	1.25±0.05	2.95		3.47
10114826-x0x03LF	5.50	2.50±0.10	4.20		4.72
10114826-x0x04LF	6.75	3.75±0.10	5.45	2.50±0.10	5.97
10114826-x0x05LF	8.00	5.00±0.10	6.70	3.75±0.10	7.22
10114826-x0x06LF	9.25	6.25±0.15	7.95	5.00±0.15	8.47
10114826-x0x07LF	10.50	7.50±0.15	9.20	6.25±0.15	9.72
10114826-x0x08LF	11.75	8.75±0.15	10.45	7.50±0.15	10.97
10114826-x0x09LF	13.00	10.00±0.15	11.70	8.75±0.15	12.22
10114826-x0x10LF	14.25	11.25±0.20	12.95	10.00±0.20	13.47
10114826-x0x11LF	15.50	12.50±0.20	14.20	11.25±0.20	14.72
10114826-x0x12LF	16.75	13.75±0.20	15.45	12.50±0.20	15.97
10114826-x0x13LF	18.00	15.00±0.20	16.70	13.75±0.20	17.22
10114826-x0x14LF	19.25	16.25±0.20	17.95	15.00±0.20	18.47
10114826-x0x15LF	20.50	17.50±0.20	19.20	16.25±0.20	19.72

mat'l. code		surface ISO 1302 ✓		tolerance ISO 406 ISO 1101		projection		product family	
ltr		ecn no		dr		date		WTB	
A T10-0145		JH		12/1/10				title	
B ELX-N-23435		TIM		03/02/16		tolerances unless otherwise specified		WTB 1.25MM HOUSING	
C ELX-N-26408		TONY		03/17/17		angles linear		mm	
D ELX-N-27088		TONY		05/24/17		0'±2'		scale 1:1	
E ELX-N-30250		TONY		05/23/18		dr JASON HSU		12/1/10	
						engr JASON HSU		12/1/10	
						chr GARY HSIEH		12/1/10	
						app JOSEPH HSIA		12/1/10	
sheet revision E		index sheet 1						Amphenol FCI	
								dwg no 10114826	
								sheet 1 of 1 size A3	
								type Product Customer Drawing	

Mouser Electronics

Authorized Distributor

Click to View Pricing, Inventory, Delivery & Lifecycle Information:

[FCI / Amphenol:](#)

[10114826-30008LF](#) [10114826-10014LF](#) [10114826-10015LF](#) [10114826-30002LF](#) [10114826-30003LF](#) [10114826-30012LF](#) [10114826-30004LF](#) [10114826-30006LF](#)