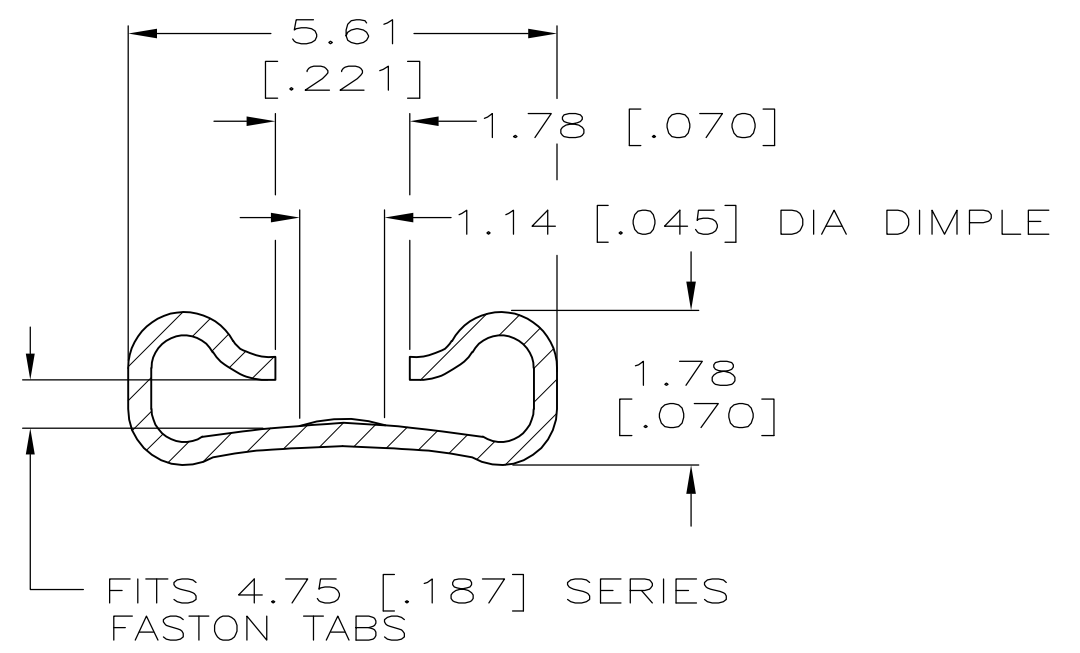
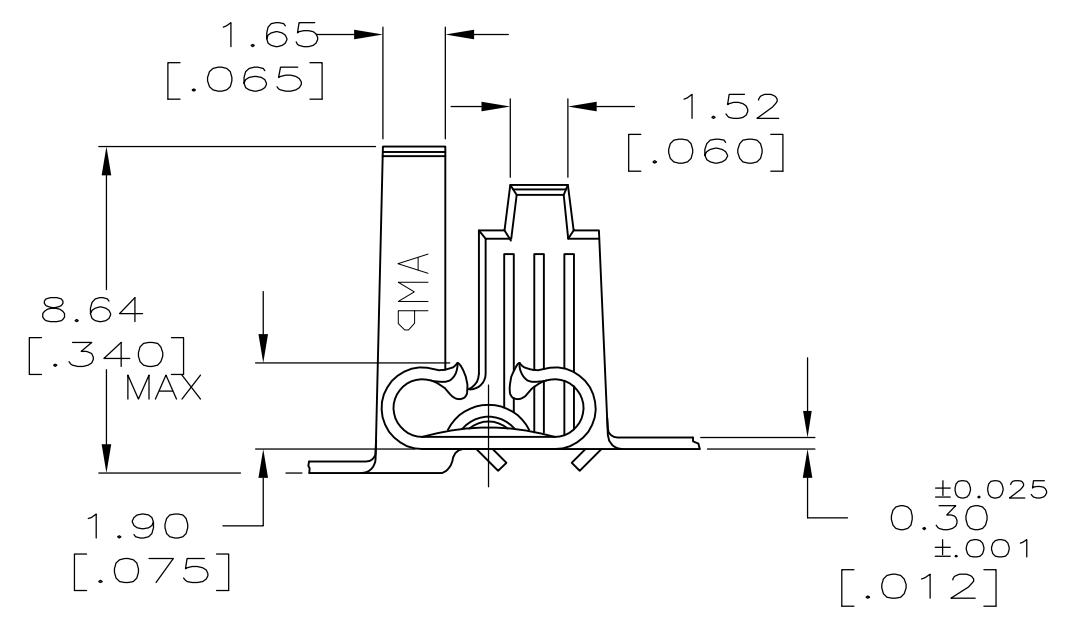
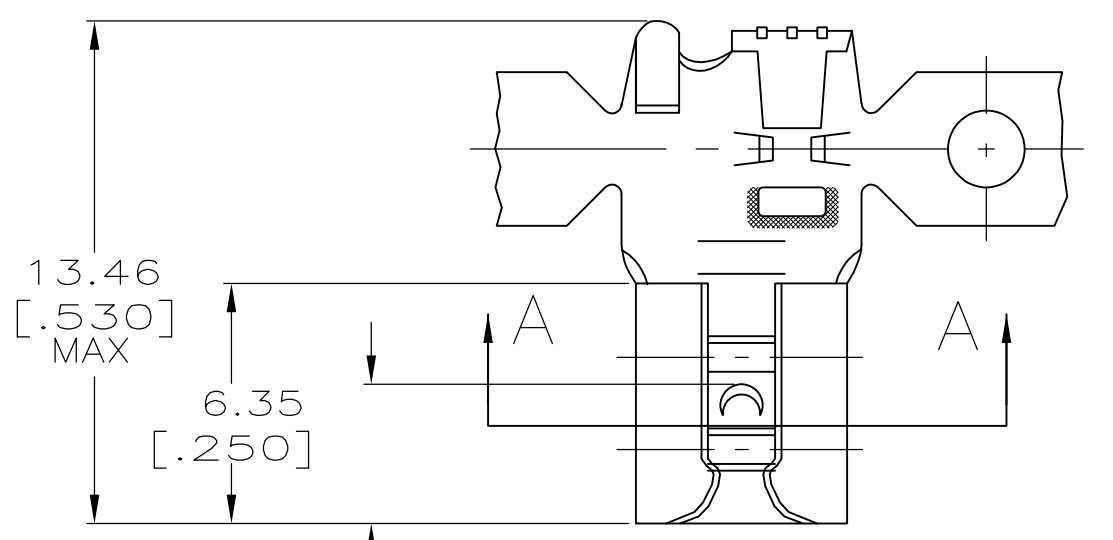


THIS DRAWING IS UNPUBLISHED. RELEASED FOR PUBLICATION
 © COPYRIGHT - By - ALL RIGHTS RESERVED.

REVISIONS				
P	LTR	DESCRIPTION	DATE	APVD
	H1	REVISED PER ECR-16-010719	27JUL2016	LP TD

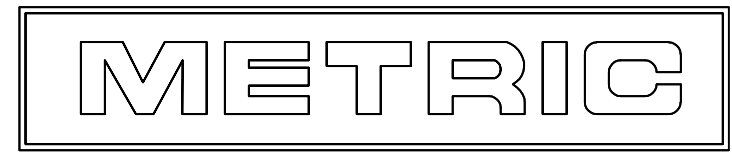


SECTION A-A
SCALE 10:1

1 CONTINUOUS STRIP ON REELS.
 Δ HIGH 1ST/6TH RETENTION FORCE

TIN	2.79-4.32	0.5-1.3mm ²	0.51 [.020]	1-42800-2
-	[.110-.170] DIA	[20-16]AWG		42800-2
FINISH	INSULATION RANGE	WIRE SIZE	MATING TAB THK ±0.025 [.001]	42800-1
				PART NO

THIS DRAWING IS A CONTROLLED DOCUMENT.		DWN JR RUTH 11/1/91	TE Connectivity RECEPTACLE, FASTON, 4.75 [.187] SERIES			
DIMENSIONS: mm [INCHES]		CHK MS FEHER 11/1/91				
TOLERANCES UNLESS OTHERWISE SPECIFIED:		APVD C MEYERS 11/1/91				
0 PLC ± - 1 PLC ± - 2 PLC ± 0.25 [.010] 3 PLC ± - 4 PLC ± - ANGLES ± -		NAME				
MATERIAL BRASS	FINISH SEE TABLE	PRODUCT SPEC -	SIZE A3	CAGE CODE 00779	DRAWING NO C-42800	RESTRICTED TO -
CUSTOMER DRAWING			WEIGHT 0.000000	SCALE 5:1	SHEET 1 OF 1	REV H1



Mouser Electronics

Authorized Distributor

Click to View Pricing, Inventory, Delivery & Lifecycle Information:

[TE Connectivity:](#)

[42800-1](#)