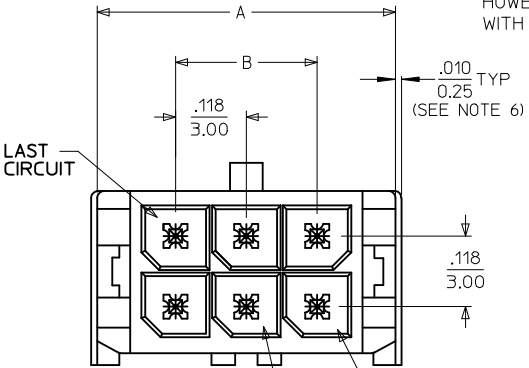


NOTE : (2) POLARIZATION PEGS ARE SHOWN. HOWEVER, ASSEMBLIES MAY BE MANUFACTURED WITH (1) PEG ONLY.



PCB LAYOUT: COMPONENT SIDE  
RECOMMEND PCB THICKNESS: .062/157

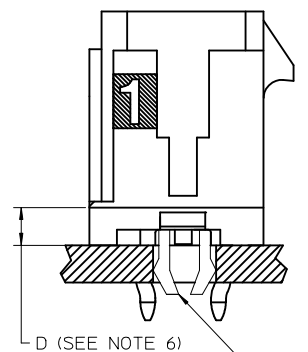
| CKTS | A     | B     | C     | D     |
|------|-------|-------|-------|-------|
| 02   | .262  |       | .236  | .169  |
|      | 6.65  | NA    | 6.00  | 4.30  |
| 04   | .380  | .118  | .354  | .287  |
|      | 9.65  | 3.00  | 9.00  | 7.30  |
| 06   | .498  | .236  | .472  | .405  |
|      | 12.65 | 6.00  | 12.00 | 10.30 |
| 08   | .616  | .354  | .591  | .524  |
|      | 15.65 | 9.00  | 15.00 | 13.30 |
| 10   | .734  | .472  | .709  | .642  |
|      | 18.65 | 12.00 | 18.00 | 16.30 |
| 12   | .852  | .591  | .827  | .760  |
|      | 21.65 | 15.00 | 21.00 | 19.30 |
| 14   | .970  | .709  | .945  | .878  |
|      | 24.65 | 18.00 | 24.00 | 22.30 |
| 16   | 1.088 | .827  | 1.063 | .996  |
|      | 27.65 | 21.00 | 27.00 | 25.30 |
| 18   | 1.206 | .945  | 1.181 | 1.114 |
|      | 30.65 | 24.00 | 30.00 | 28.30 |
| 20   | 1.325 | 1.063 | 1.299 | 1.232 |
|      | 33.65 | 27.00 | 33.00 | 31.30 |
| 22   | 1.443 | 1.181 | 1.417 | 1.350 |
|      | 36.65 | 30.00 | 36.00 | 34.30 |
| 24   | 1.561 | 1.299 | 1.535 | 1.469 |
|      | 39.65 | 33.00 | 39.00 | 37.30 |

NOTES:

- HOUSING MATERIAL: GLASS FILLED LIQUID CRYSTAL POLYMER, UL94V-0, COLOR: BLACK  
TERMINAL MATERIAL: BRASS ALLOY
- FINISH: A = .000060/(0.00152) MIN. REFLOWED MATTE TIN OVER .000050/(0.00127) MIN. NICKEL PLATE. (FINISH IS BRIGHT IN APPEARANCE, THICKNESS AS APPLIED PRIOR TO REFLOW)  
B = .000015/(0.00038) MIN. SELECT GOLD IN CONTACT AREA, .000100/(0.00254) MIN. SELECT MATTE TIN ON SOLDER TAILS, BOTH OVER .000050/(0.00127) MIN. NICKEL PLATE.  
C = .000030/(0.00076) MIN. SELECT GOLD IN CONTACT AREA, .000100/(0.00254) MIN. SELECT MATTE TIN ON SOLDER TAILS, BOTH OVER .000050/(0.00127) MIN. NICKEL PLATE.  
D = .000100/(0.00254) MIN. MATTE TIN OVER .000050/(0.00127) MIN. NICKEL PLATE.
- PRODUCT SPECIFICATION: PS-43045
- TRAY PACKAGED: SEE MOLEX DRAWING PK-70873-0314
- MATES WITH MICRO FIT (3.0) RECEPTACLE SERIES 43025
- CIRCUIT SIZES 2-6: "D" IS .265/6.74 FOR .010/0.25 STEP  
CIRCUIT SIZES 8-24: "D" IS .063/1.60 FOR .010/0.25 STEP.
- THIS PART CONFORMS TO CLASS B REQUIREMENTS OF COSMETIC SPECIFICATION PS-45499-002.

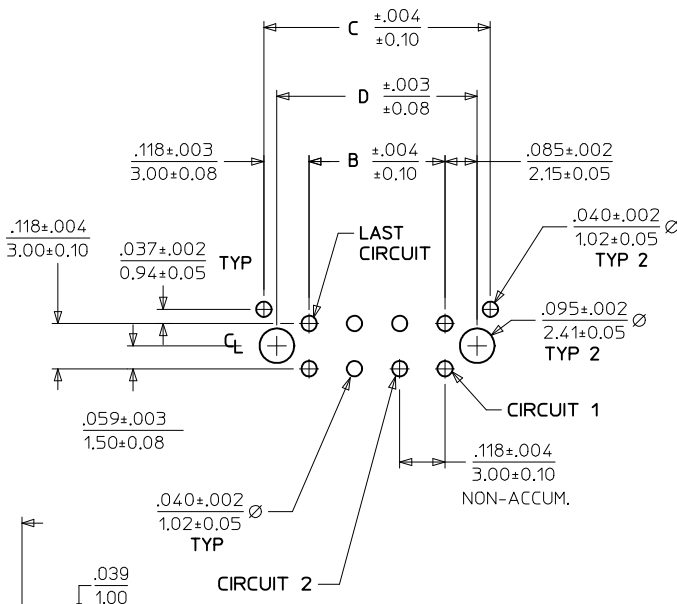
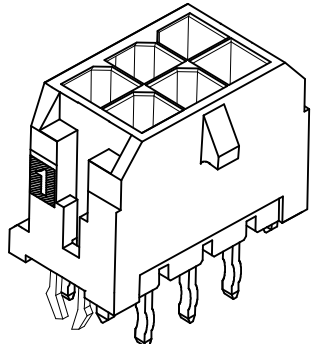
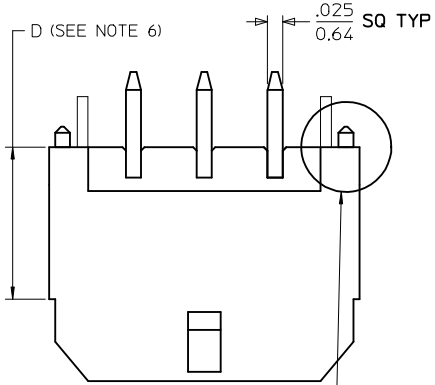
CIRCUIT "1" IDENTIFIED ON THIS SURFACE (APPROX. LOCATION SHOWN FOR REF.)

| CKTS | FINISH A   | FINISH B   | FINISH C   | FINISH D   |
|------|------------|------------|------------|------------|
| 02   | 43045-0224 | 43045-0225 | 43045-0226 | 43045-0304 |
| 04   | 43045-0424 | 43045-0425 | 43045-0426 | 43045-0504 |
| 06   | 43045-0624 | 43045-0625 | 43045-0626 | 43045-0704 |
| 08   | 43045-0824 | 43045-0825 | 43045-0826 | 43045-0904 |
| 10   | 43045-1024 | 43045-1025 | 43045-1026 | 43045-1104 |
| 12   | 43045-1224 | 43045-1225 | 43045-1226 | 43045-1304 |
| 14   | 43045-1424 | 43045-1425 | 43045-1426 | 43045-1504 |
| 16   | 43045-1624 | 43045-1625 | 43045-1626 | 43045-1704 |
| 18   | 43045-1824 | 43045-1825 | 43045-1826 | 43045-1904 |
| 20   | 43045-2024 | 43045-2025 | 43045-2026 | 43045-2104 |
| 22   | 43045-2224 | 43045-2225 | 43045-2226 | 43045-2304 |
| 24   | 43045-2424 | 43045-2425 | 43045-2426 | 43045-2504 |

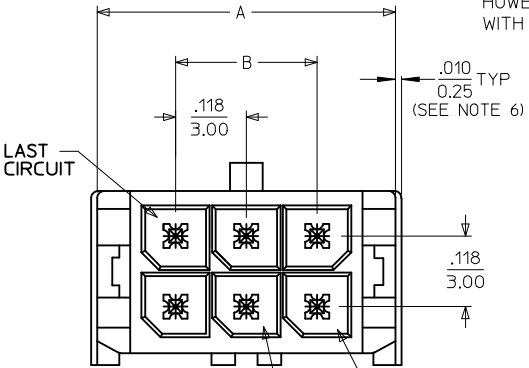


PRESS FIT RETENTION CLIP

| MOVE TO ANNOTATOR<br>EC NO: UCP2016-4586<br>DRAWN:SLAFTER 2016/05/25<br>CHKD:SSOUSEK 2016/08/09<br>APPR:FSMITH 2016/08/23 | QUALITY SYMBOLS<br> | GENERAL TOLERANCES (UNLESS SPECIFIED)<br><table border="1"> <tr> <th></th> <th>mm</th> <th>INCH</th> </tr> <tr> <td>4 PLACES</td> <td>± .010</td> <td>± .0004</td> </tr> <tr> <td>3 PLACES</td> <td>± .012</td> <td>± .0005</td> </tr> <tr> <td>2 PLACES</td> <td>± .015</td> <td>± .0006</td> </tr> <tr> <td>1 PLACE</td> <td>± 0.25</td> <td>± .010</td> </tr> <tr> <td>0 PLACE</td> <td>± .36</td> <td>± .014</td> </tr> </table> |                    | mm   | INCH                                | 4 PLACES  | ± .010 | ± .0004 | 3 PLACES | ± .012 | ± .0005 | 2 PLACES | ± .015 | ± .0006 | 1 PLACE | ± 0.25 | ± .010 | 0 PLACE | ± .36 | ± .014 | DIMENSION STYLE<br>IN/MM | SCALE<br>--- | DESIGN UNITS<br>METRIC | THIRD ANGLE PROJECTION |
|---|---------------------|--|--------------------|--|-------------------------------------|---|--------|---------|----------|--------|---------|----------|--------|---------|---------|--------|--------|---------|-------|--------|--------------------------|--------------|------------------------|------------------------|
|   |                     | mm   | INCH               |  |                                     |   |        |         |          |        |         |          |        |         |         |        |        |         |       |        |                          |              |                        |                        |
|   | 4 PLACES            | ± .010   | ± .0004            |  |                                     |   |        |         |          |        |         |          |        |         |         |        |        |         |       |        |                          |              |                        |                        |
|   | 3 PLACES            | ± .012   | ± .0005            |  |                                     |   |        |         |          |        |         |          |        |         |         |        |        |         |       |        |                          |              |                        |                        |
| 2 PLACES  | ± .015              | ± .0006  |                    |  |                                     |   |        |         |          |        |         |          |        |         |         |        |        |         |       |        |                          |              |                        |                        |
| 1 PLACE   | ± 0.25              | ± .010   |                    |  |                                     |   |        |         |          |        |         |          |        |         |         |        |        |         |       |        |                          |              |                        |                        |
| 0 PLACE   | ± .36               | ± .014   |                    |  |                                     |   |        |         |          |        |         |          |        |         |         |        |        |         |       |        |                          |              |                        |                        |
| DRAWN BY<br>SAMIEC  | DATE<br>2000/03/15  | CHECKED BY<br>SSOUSEK  | DATE<br>2016/06/01 | TITLE<br><b>MICRO-FIT (3.0)<br/>         DUAL ROW VERTICAL THRU<br/>         HOLE HEADER W/CLIPS</b> |                                     |   |        |         |          |        |         |          |        |         |         |        |        |         |       |        |                          |              |                        |                        |
| APPROVED BY<br>FSMITH   | DATE<br>2016/08/23  | <b>molex</b>   |                    |  | DOCUMENT NO.<br><b>SD-43045-009</b> | SHEET NO.<br>1 OF 1   |        |         |          |        |         |          |        |         |         |        |        |         |       |        |                          |              |                        |                        |
| DRAFT WHERE APPLICABLE MUST REMAIN WITHIN DIMENSIONS  |                     |  |                    |  |                                     | THIS DRAWING CONTAINS INFORMATION THAT IS PROPRIETARY TO MOLEX INCORPORATED AND SHOULD NOT BE USED WITHOUT WRITTEN PERMISSION |        |         |          |        |         |          |        |         |         |        |        |         |       |        |                          |              |                        |                        |



NOTE : (2) POLARIZATION PEGS ARE SHOWN. HOWEVER, ASSEMBLIES MAY BE MANUFACTURED WITH (1) PEG ONLY.



PCB LAYOUT: COMPONENT SIDE  
RECOMMEND PCB THICKNESS: .062/157

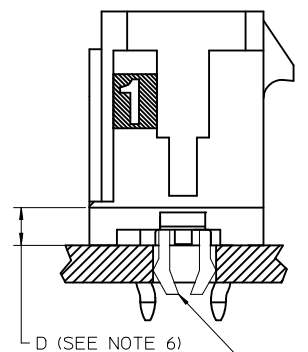
| CKTS | A     | B     | C     | D     |
|------|-------|-------|-------|-------|
| 02   | .262  |       | .236  | .169  |
|      | 6.65  | NA    | 6.00  | 4.30  |
| 04   | .380  | .118  | .354  | .287  |
|      | 9.65  | 3.00  | 9.00  | 7.30  |
| 06   | .498  | .236  | .472  | .405  |
|      | 12.65 | 6.00  | 12.00 | 10.30 |
| 08   | .616  | .354  | .591  | .524  |
|      | 15.65 | 9.00  | 15.00 | 13.30 |
| 10   | .734  | .472  | .709  | .642  |
|      | 18.65 | 12.00 | 18.00 | 16.30 |
| 12   | .852  | .591  | .827  | .760  |
|      | 21.65 | 15.00 | 21.00 | 19.30 |
| 14   | .970  | .709  | .945  | .878  |
|      | 24.65 | 18.00 | 24.00 | 22.30 |
| 16   | 1.088 | .827  | 1.063 | .996  |
|      | 27.65 | 21.00 | 27.00 | 25.30 |
| 18   | 1.206 | .945  | 1.181 | 1.114 |
|      | 30.65 | 24.00 | 30.00 | 28.30 |
| 20   | 1.325 | 1.063 | 1.299 | 1.232 |
|      | 33.65 | 27.00 | 33.00 | 31.30 |
| 22   | 1.443 | 1.181 | 1.417 | 1.350 |
|      | 36.65 | 30.00 | 36.00 | 34.30 |
| 24   | 1.561 | 1.299 | 1.535 | 1.469 |
|      | 39.65 | 33.00 | 39.00 | 37.30 |

NOTES:

- HOUSING MATERIAL: GLASS FILLED LIQUID CRYSTAL POLYMER, UL94V-0, COLOR: BLACK  
TERMINAL MATERIAL: BRASS ALLOY
- FINISH: A = .000060/(0.00152) MIN. REFLOWED MATTE TIN OVER .000050/(0.00127) MIN. NICKEL PLATE. (FINISH IS BRIGHT IN APPEARANCE, THICKNESS AS APPLIED PRIOR TO REFLOW)  
B = .000015/(0.00038) MIN. SELECT GOLD IN CONTACT AREA, .000100/(0.00254) MIN. SELECT MATTE TIN ON SOLDER TAILS, BOTH OVER .000050/(0.00127) MIN. NICKEL PLATE.  
C = .000030/(0.00076) MIN. SELECT GOLD IN CONTACT AREA, .000100/(0.00254) MIN. SELECT MATTE TIN ON SOLDER TAILS, BOTH OVER .000050/(0.00127) MIN. NICKEL PLATE.  
D = .000100/(0.00254) MIN. MATTE TIN OVER .000050/(0.00127) MIN. NICKEL PLATE.
- PRODUCT SPECIFICATION: PS-43045
- TRAY PACKAGED: SEE MOLEX DRAWING PK-70873-0314
- MATES WITH MICRO FIT (3.0) RECEPTACLE SERIES 43025
- CIRCUIT SIZES 2-6: "D" IS .265/6.74 FOR .010/0.25 STEP  
CIRCUIT SIZES 8-24: "D" IS .063/1.60 FOR .010/0.25 STEP.
- THIS PART CONFORMS TO CLASS B REQUIREMENTS OF COSMETIC SPECIFICATION PS-45499-002.

CIRCUIT "1" IDENTIFIED ON THIS SURFACE (APPROX. LOCATION SHOWN FOR REF.)

|      | FINISH A     | FINISH B     | FINISH C     | FINISH D     |
|------|--------------|--------------|--------------|--------------|
| CKTS | MATERIAL NO: | MATERIAL NO: | MATERIAL NO: | MATERIAL NO: |
| 02   | 43045-0224   | 43045-0225   | 43045-0226   | 43045-0304   |
| 04   | 43045-0424   | 43045-0425   | 43045-0426   | 43045-0504   |
| 06   | 43045-0624   | 43045-0625   | 43045-0626   | 43045-0704   |
| 08   | 43045-0824   | 43045-0825   | 43045-0826   | 43045-0904   |
| 10   | 43045-1024   | 43045-1025   | 43045-1026   | 43045-1104   |
| 12   | 43045-1224   | 43045-1225   | 43045-1226   | 43045-1304   |
| 14   | 43045-1424   | 43045-1425   | 43045-1426   | 43045-1504   |
| 16   | 43045-1624   | 43045-1625   | 43045-1626   | 43045-1704   |
| 18   | 43045-1824   | 43045-1825   | 43045-1826   | 43045-1904   |
| 20   | 43045-2024   | 43045-2025   | 43045-2026   | 43045-2104   |
| 22   | 43045-2224   | 43045-2225   | 43045-2226   | 43045-2304   |
| 24   | 43045-2424   | 43045-2425   | 43045-2426   | 43045-2504   |



D (SEE NOTE 6)  
PRESS FIT RETENTION CLIP

| MOVE TO ANNOTATOR<br>EC NO: UCP2016-4586<br>DRAWN:SLAFTER 2016/05/25<br>CHKD:SSOUSEK 2016/08/09<br>APPR:FSMITH 2016/08/23 | QUALITY SYMBOLS<br>∇=0<br>∇=0<br>∇=0 | GENERAL TOLERANCES (UNLESS SPECIFIED)<br><table border="1"> <tr><th></th><th>mm</th><th>INCH</th></tr> <tr><td>4 PLACES</td><td>± .010</td><td>± .0004</td></tr> <tr><td>3 PLACES</td><td>± .012</td><td>± .0005</td></tr> <tr><td>2 PLACES</td><td>± .015</td><td>± .0006</td></tr> <tr><td>1 PLACE</td><td>± .020</td><td>± .0008</td></tr> <tr><td>0 PLACE</td><td>± .030</td><td>± .0012</td></tr> </table> |         | mm | INCH | 4 PLACES | ± .010 | ± .0004 | 3 PLACES | ± .012 | ± .0005 | 2 PLACES | ± .015 | ± .0006 | 1 PLACE | ± .020 | ± .0008 | 0 PLACE | ± .030 | ± .0012 | DIMENSION STYLE<br>IN/MM<br>DRAWN BY: SAMIEC DATE: 2000/03/15<br>CHECKED BY: SSOUSEK DATE: 2016/06/01<br>APPROVED BY: FSMITH DATE: 2016/08/23 | SCALE: ---<br>DESIGN UNITS: METRIC<br>THIRD ANGLE PROJECTION | TITLE: MICRO-FIT (3.0) DUAL ROW VERTICAL THRU HOLE HEADER W/CLIPS<br><b>molex</b><br>DOCUMENT NO: SD-43045-009<br>SHEET NO: 1 OF 1 |
|---|--------------------------------------|---|---------|----|------|----------|--------|---------|----------|--------|---------|----------|--------|---------|---------|--------|---------|---------|--------|---------|---|--|--|
|   |                                      | mm  | INCH    |    |      |          |        |         |          |        |         |          |        |         |         |        |         |         |        |         |   |  |  |
|   | 4 PLACES                             | ± .010  | ± .0004 |    |      |          |        |         |          |        |         |          |        |         |         |        |         |         |        |         |   |  |  |
|   | 3 PLACES                             | ± .012  | ± .0005 |    |      |          |        |         |          |        |         |          |        |         |         |        |         |         |        |         |   |  |  |
| 2 PLACES  | ± .015                               | ± .0006   |         |    |      |          |        |         |          |        |         |          |        |         |         |        |         |         |        |         |   |  |  |
| 1 PLACE   | ± .020                               | ± .0008   |         |    |      |          |        |         |          |        |         |          |        |         |         |        |         |         |        |         |   |  |  |
| 0 PLACE   | ± .030                               | ± .0012   |         |    |      |          |        |         |          |        |         |          |        |         |         |        |         |         |        |         |   |  |  |
| DRAFT WHERE APPLICABLE MUST REMAIN WITHIN DIMENSIONS  | MATERIAL NO: SEE CHART               | THIS DRAWING CONTAINS INFORMATION THAT IS PROPRIETARY TO MOLEX INCORPORATED AND SHOULD NOT BE USED WITHOUT WRITTEN PERMISSION   |         |    |      |          |        |         |          |        |         |          |        |         |         |        |         |         |        |         |   |  |  |
| H4  | REV:                                 | SIZE: C   |         |    |      |          |        |         |          |        |         |          |        |         |         |        |         |         |        |         |   |  |  |
| DRAFT WHERE APPLICABLE MUST REMAIN WITHIN DIMENSIONS  |                                      |   |         |    |      |          |        |         |          |        |         |          |        |         |         |        |         |         |        |         |   |  |  |