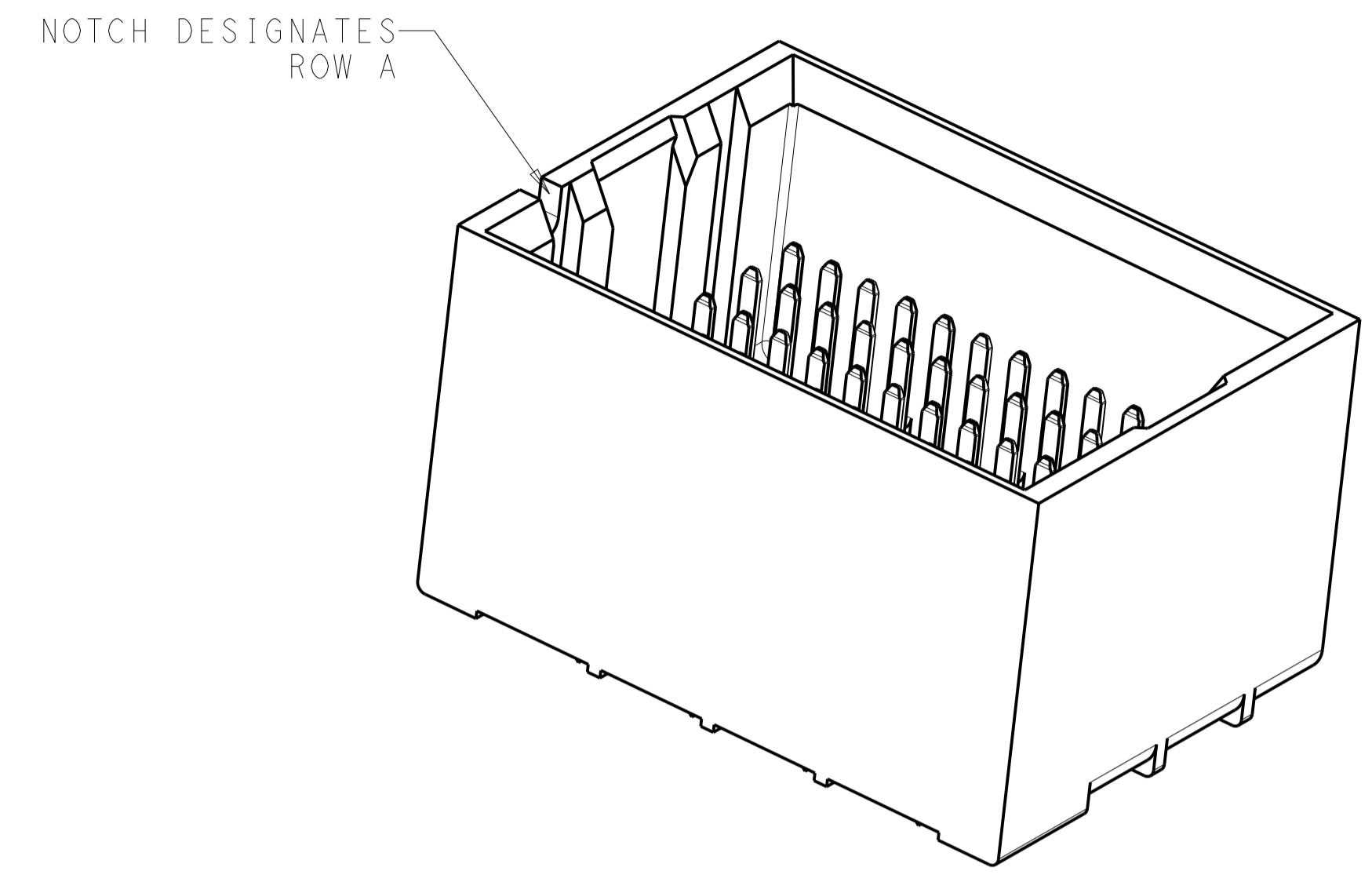
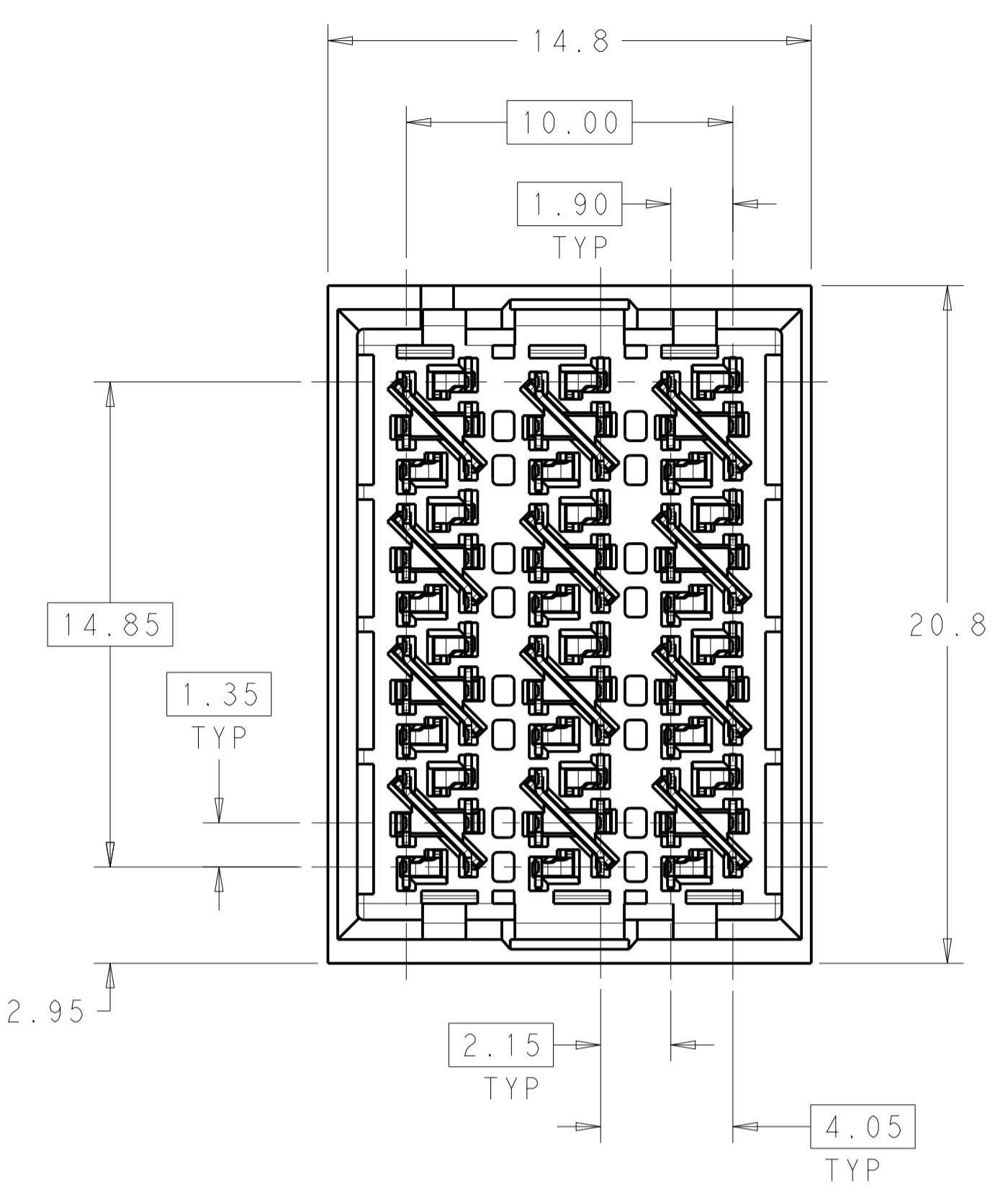
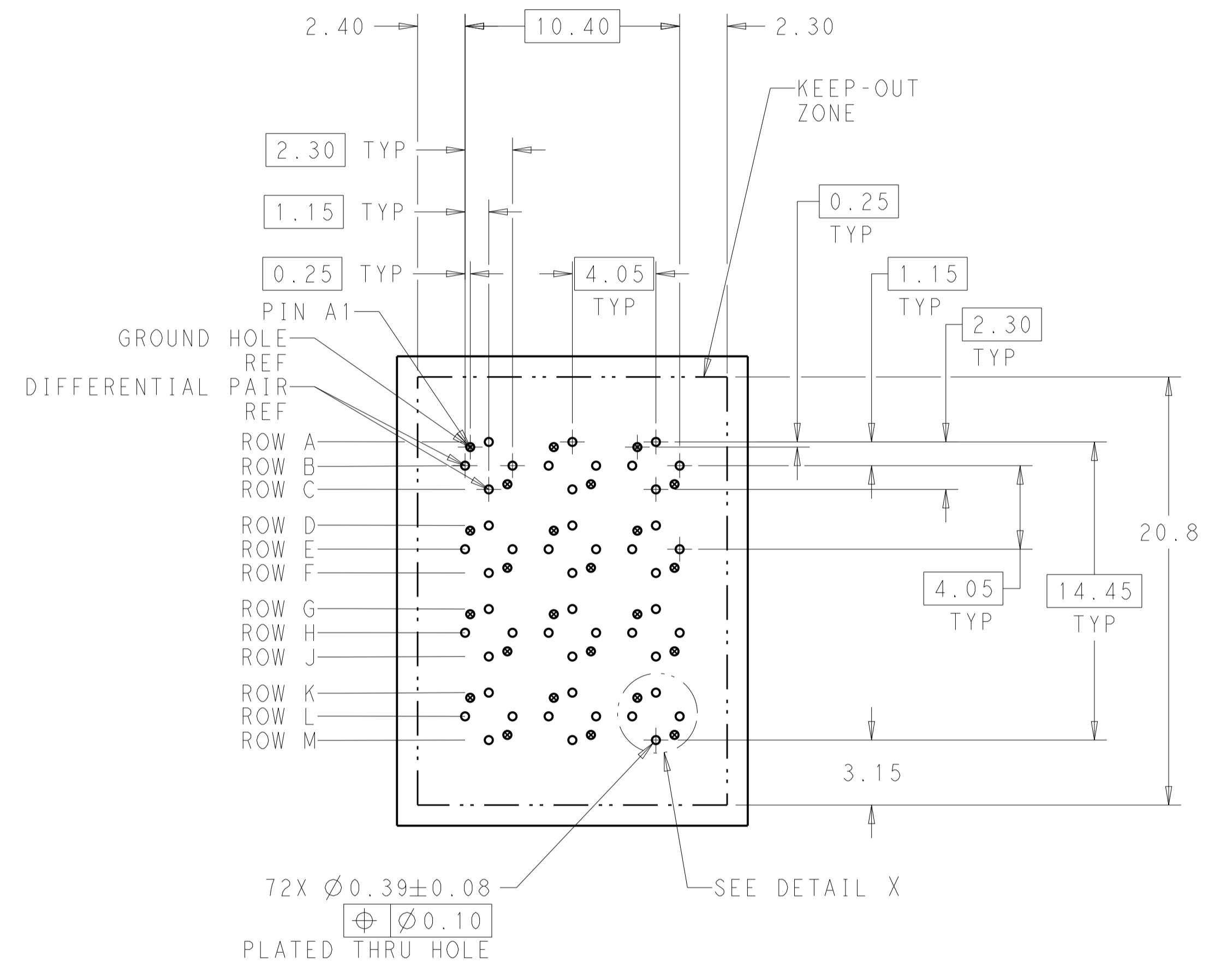
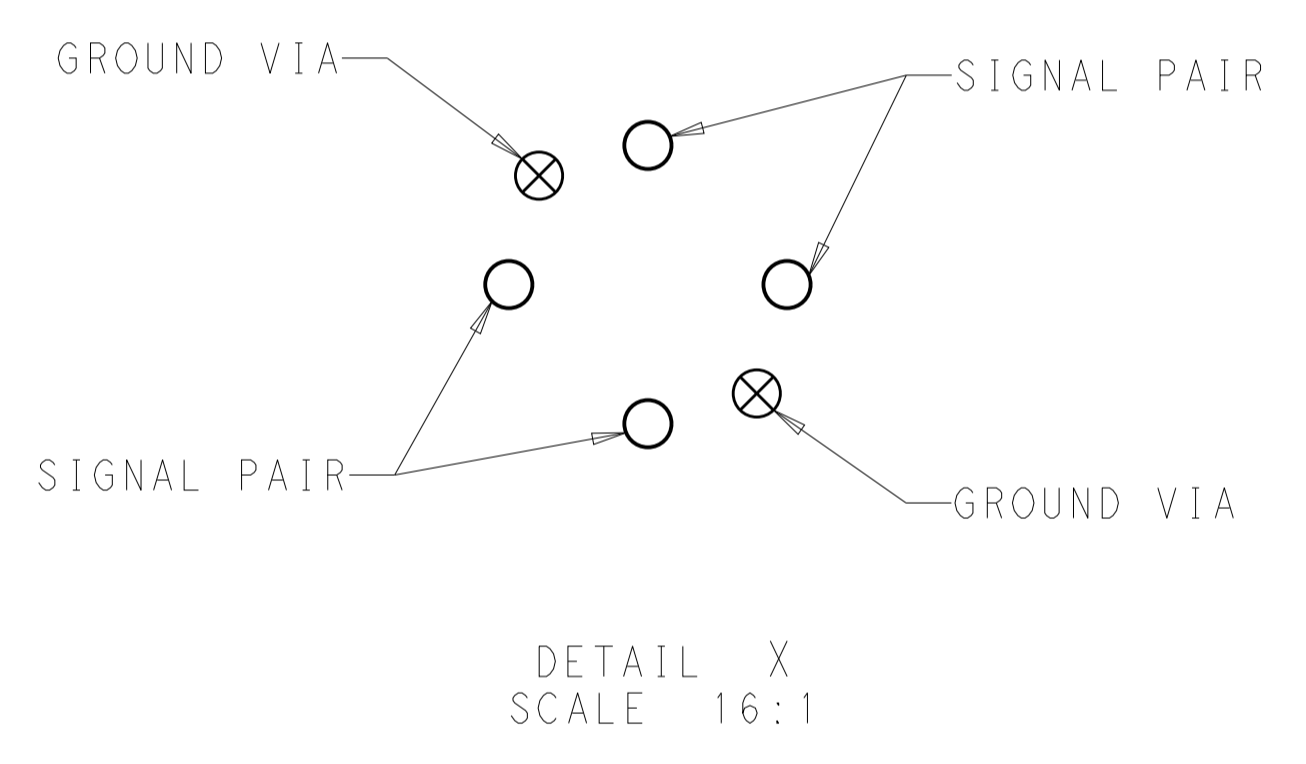


REVISIONS				
P.	LTM	DESCRIPTION	DATE	APPROV
C		REVISED PER ECO-14-013271	06SEP2014	AP DD



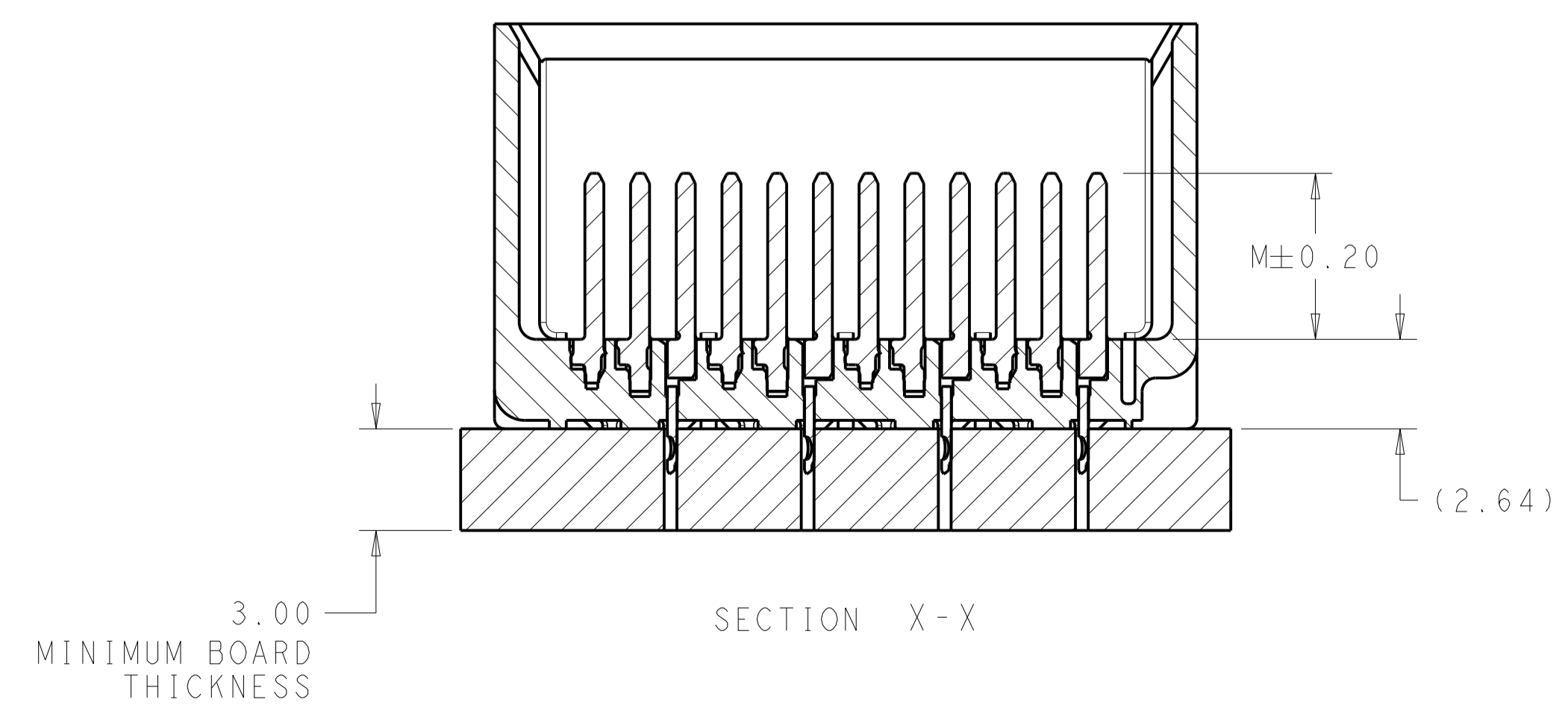
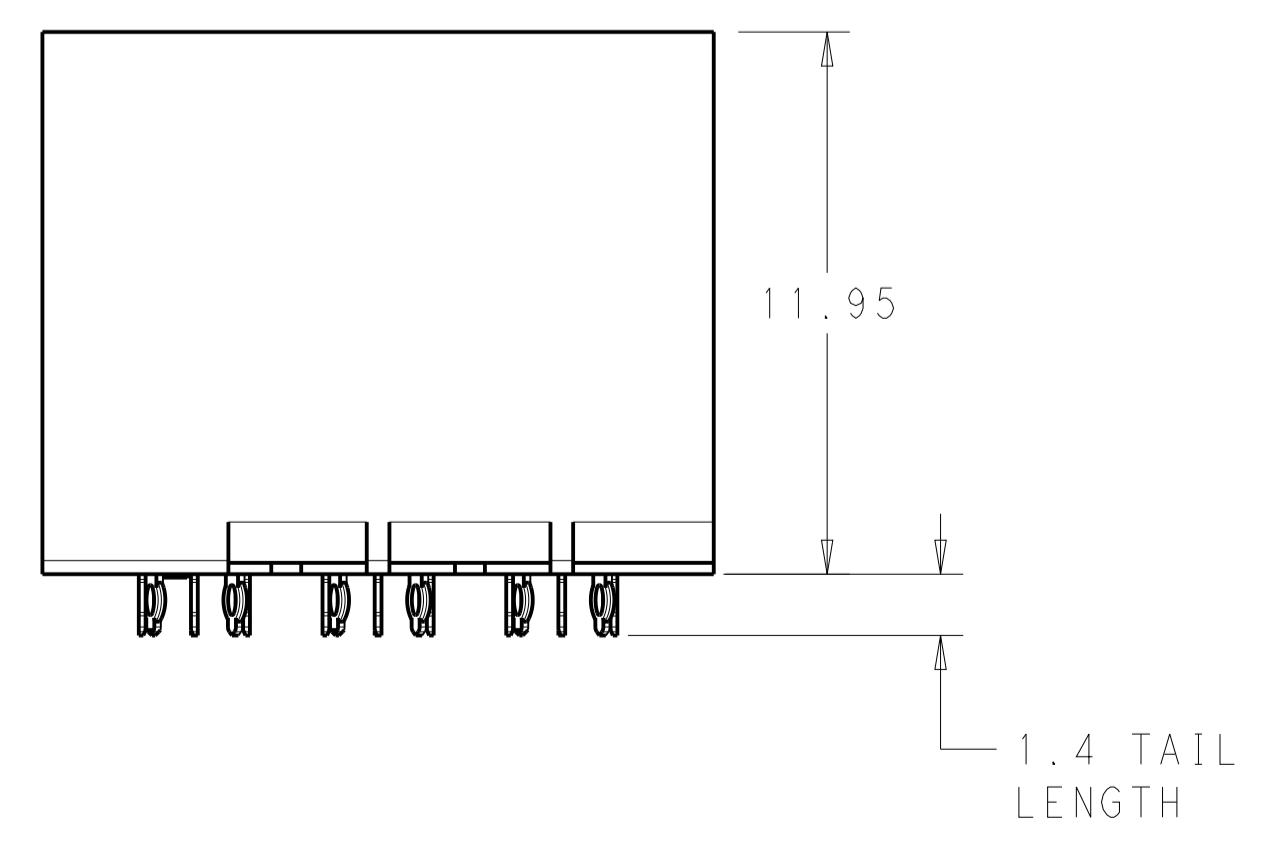
1 MATERIAL:  
HOUSING: LCP, GLASS FILLED, UL94V-0.  
TERMINALS: HIGH PERFORMANCE COPPER ALLOY.

2 FINISH:  
30µ" MIN GOLD IN CONTACT AREA. SELECTIVE TIN ON PCB TAILS, NICKEL OVERALL.



UNGUIDED BACKPLANE HOLE PATTERN (CONNECTOR SIDE)

REFER TO WWW.TE.COM FOR PRODUCT AVAILABILITY



2	5.5	2132599-2
2	4.9	2132599-1
FINISH	DIM M	PART NUMBER

THIS DRAWING IS A CONTROLLED DOCUMENT.		DWN: KIRAN HOLAL 18OCT2012	NAME: IMPACT, ORTHOGONAL, 4 PAIR, 6 COLUMN HEADER, UNGUIDED, DUAL END WALL SIGNAL MODULE, 0.39 PTH
DIMENSIONS: mm		CHK: DIXON DIRK 18OCT2012	PRODUCT SPEC
TOLERANCES UNLESS OTHERWISE SPECIFIED:		APVD: DIXON DIRK 18OCT2012	APPLICATION SPEC
0 PLC	±		SIZE: CAGE CODE: DRAWING NO: RESTRICTED TO
2 PLC	±0.25		A100779C=2132599
3 PLC	±0.13		SCALE: 6:1 SHEET 1 OF 1 REV C
4 PLC	±		
ANGLES	±		
MATERIAL: SEE TABLE	FINISH: SEE TABLE	WEIGHT: -	CUSTOMER DRAWING

# Mouser Electronics

Authorized Distributor

Click to View Pricing, Inventory, Delivery & Lifecycle Information:

[TE Connectivity:](#)

[2132599-1](#)