

4

3

2

1

THIS DRAWING IS UNPUBLISHED.

RELEASED FOR PUBLICATION

© COPYRIGHT

BY TYCO ELECTRONICS CORPORATION. ALL RIGHTS RESERVED.

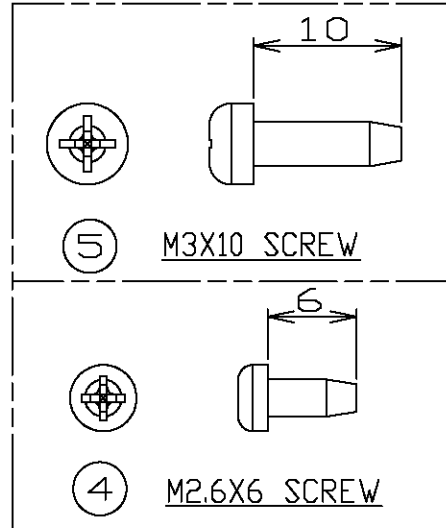
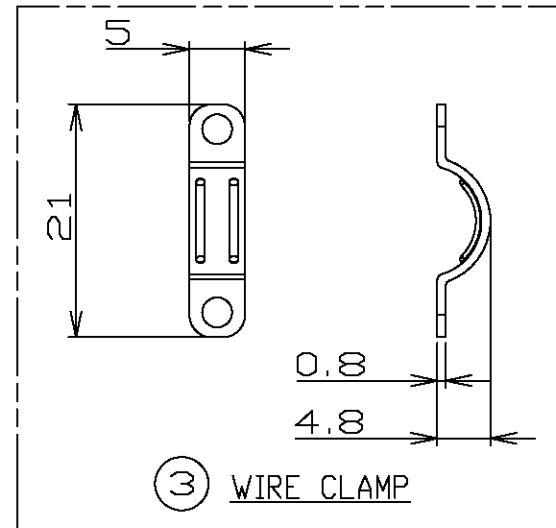
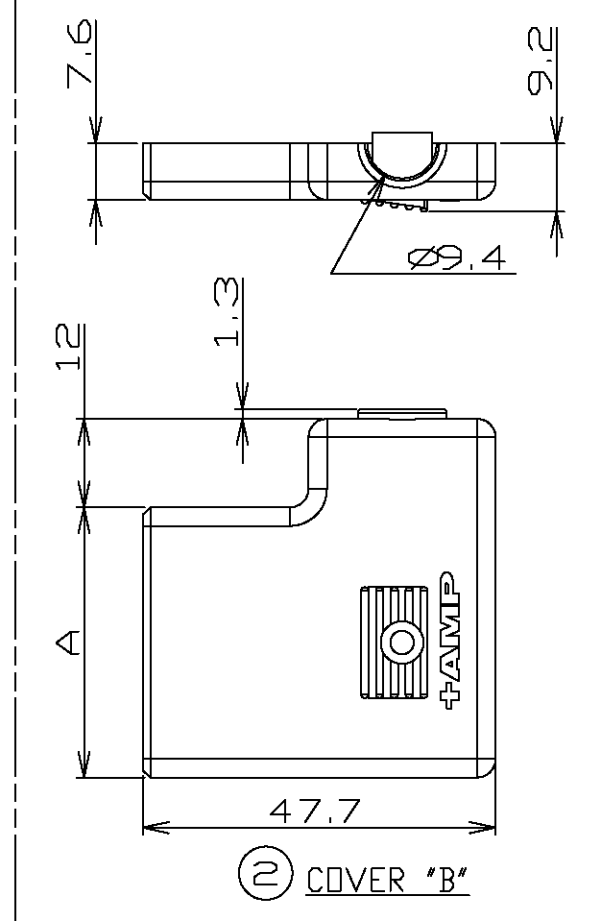
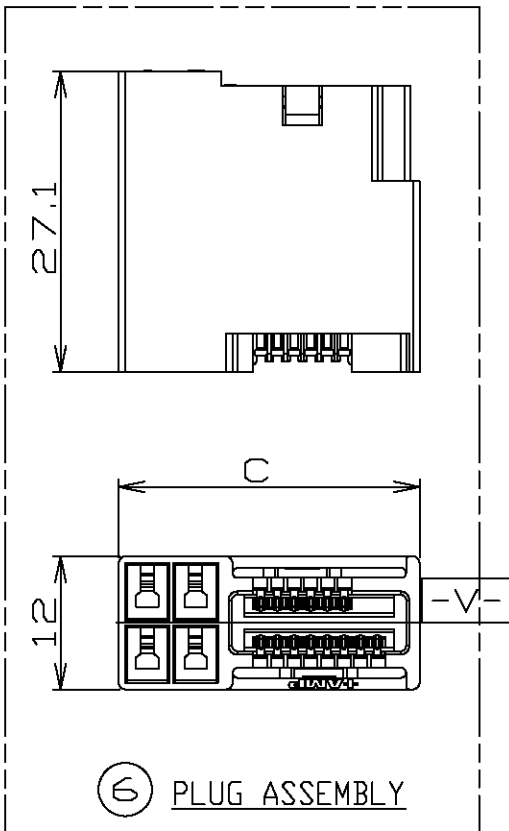
LOC ES DIST 00

P LTR A

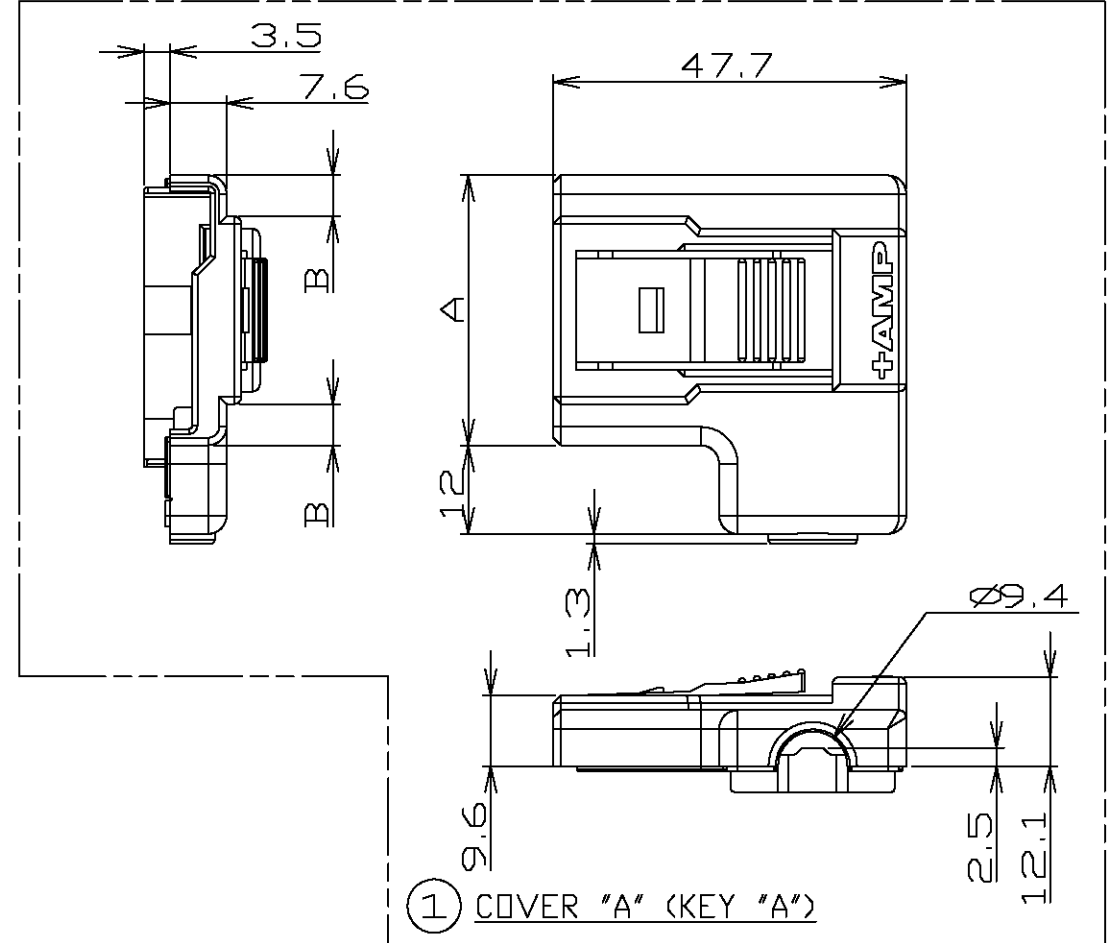
REVISIONS

DESCRIPTION REVISED FB00-0217-04

DATE 16DEC04 DWN H.H APVD I.E



NOTES: THIS IS LEAD-FREE P/N.



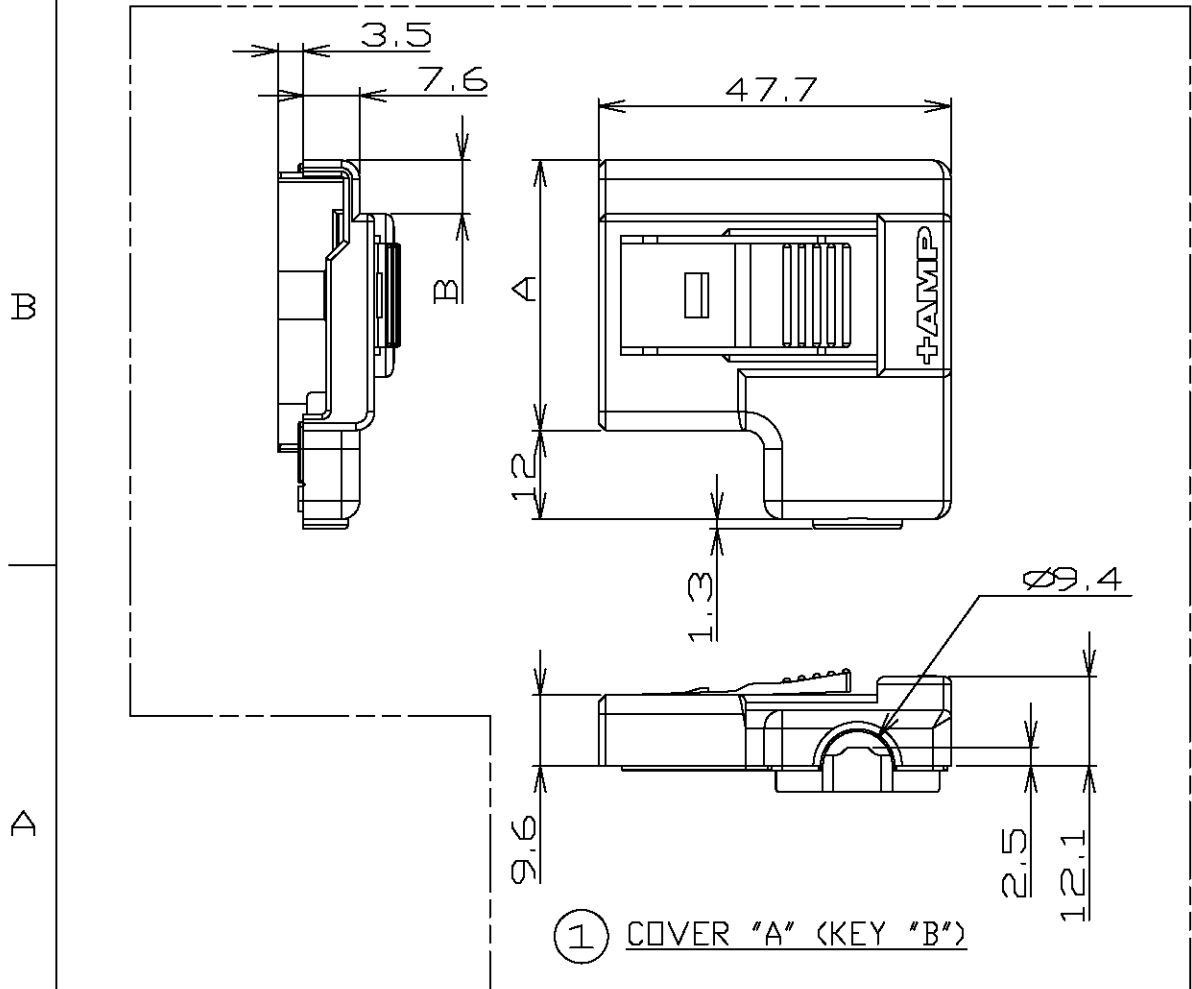
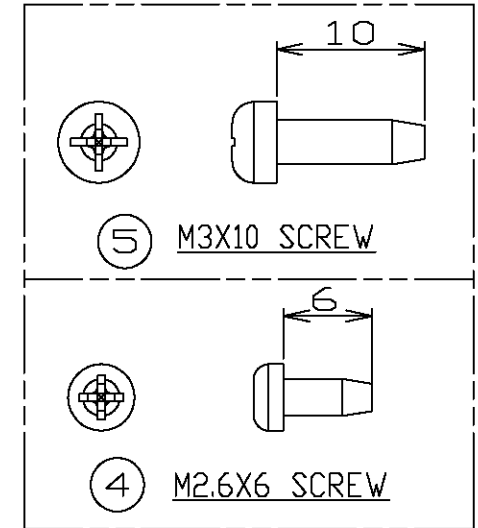
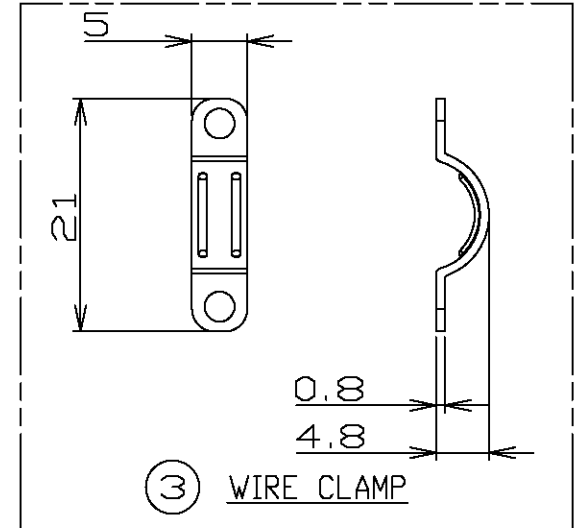
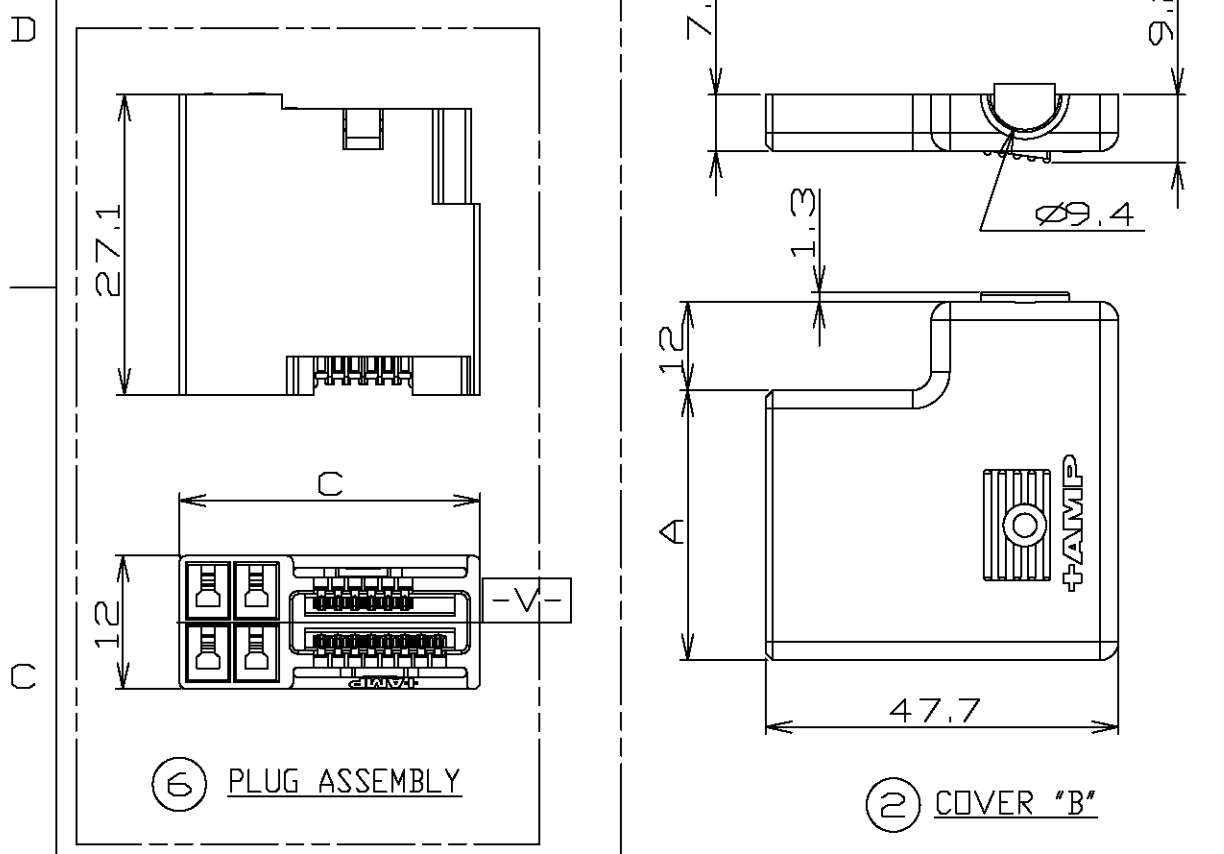
C	B	A	QTY	MATERIAL & FINISH	DESCRIPTION	PART NUMBER	ITEM	KEY TYPE	PART NUMBER
33.1	—	—	1	THERMOPLASTIC, UL94V-0 COLOR: GRAY	PLUG ASSEMBLY, 22P	2-292245-2	6		
—	—	—	1	STEEL, ZINC PLATED	TAPTITE SCREW, P-TITE M3X10	292264-1	5		
—	—	—	2	STEEL, ZINC PLATED	TAPTITE SCREW, P-TITE M2.6X6	292263-1	4	A	2-292249-2
—	—	—	1	STEEL, ZINC PLATED	WIRE CLAMP	292265-1	3		
—	—	36.5	1	THERMOPLASTIC, UL94-HB COLOR: GRAY	COVER 'B', 22P	2-1318656-2	2		
—	5.55	36.5	1	THERMOPLASTIC, UL94-HB COLOR: GRAY	COVER 'A', 22P, KEY 'A'	2-1318655-2	1		

THIS DRAWING IS A CONTROLLED DOCUMENT FOR TYCO ELECTRONICS CORPORATION. IT IS SUBJECT TO CHANGE AND THE CONTROLLING ENGINEERING ORGANIZATION SHOULD BE CONTACTED FOR THE LATEST REVISION.

DIMENSIONS: mm	TOLERANCES UNLESS OTHERWISE SPECIFIED:	DWN J.JIANG 05FEB03	Tyco Electronics Corporation Shanghai, P.R.China, 200233		
	0 PLC ±	CHK S.YAO 05FEB03			
	1 PLC ±	APVD T.SASAKI 05FEB03			
	2 PLC ±	NAME			
3 PLC ±	PRODUCT SPEC	CABLE CLAMP KIT, HIGH WALL TYPE FOR AMP 1.5mm PITCH MINI CT HYBRID LATTICE CONNECTOR			
4 PLC ±	APPLICATION SPEC	SIZE	CAGE CODE	DRAWING NO	RESTRICTED TO
ANGLES ±	FINISH	114-5256	A300779C-	292249	
MATERIAL SEE TABLE	FINISH SEE TABLE	WEIGHT	SCALE NON SHEET 1 OF 3 REV A		
		CUSTOMER DRAWING			

THIS DRAWING IS UNPUBLISHED. RELEASED FOR PUBLICATION  
 © COPYRIGHT BY TYCO ELECTRONICS CORPORATION. ALL RIGHTS RESERVED.

LOC	DIST	REVISIONS		
ES	00	P	LTR	DESCRIPTION
				DATE
				DWN
				APVD
		SEE SHEET 1		



C	B	A	QTY	MATERIAL & FINISH	DESCRIPTION	PART NUMBER	ITEM	KEY TYPE	PART NUMBER
33.1	—	—	1	THERMOPLASTIC, UL94V-0 COLOR: GRAY	PLUG ASSEMBLY, 22P	2-292245-2	⑥		
—	—	—	1	STEEL, ZINC PLATED	TAPTITE SCREW, P-TITE M3X10	292264-1	⑤		
—	—	—	2	STEEL, ZINC PLATED	TAPTITE SCREW, P-TITE M2.6X6	292263-1	④	B	4-292249-2
—	—	—	1	STEEL, ZINC PLATED	WIRE CLAMP	292265-1	③		
—	—	36.5	1	THERMOPLASTIC, UL94-HB COLOR: GRAY	COVER "B", 22P	2-1318656-2	②		
—	7.25	36.5	1	THERMOPLASTIC, UL94-HB COLOR: GRAY	COVER "A", 22P, KEY "B"	4-1318655-2	①		
C	B	A	QTY	MATERIAL & FINISH	DESCRIPTION	PART NUMBER	ITEM	KEY TYPE	PART NUMBER

THIS DRAWING IS A CONTROLLED DOCUMENT FOR TYCO ELECTRONICS CORPORATION. IT IS SUBJECT TO CHANGE AND THE CONTROLLING ENGINEERING ORGANIZATION SHOULD BE CONTACTED FOR THE LATEST REVISION.

DIMENSIONS: mm	TOLERANCES UNLESS OTHERWISE SPECIFIED:	DWN	Tyco Electronics Corporation Shanghai, P.R.China, 200233
	0 PLC ±	CHK	
	1 PLC ±	APVD	
	2 PLC ±	PRODUCT SPEC	
	3 PLC ±	APPLICATION SPEC	NAME
	4 PLC ±		CABLE CLAMP KIT, HIGH WALL TYPE FOR AMP 1.5mm PITCH MINI CT HYBRID LATTICE CONNECTOR
	ANGLES ±		SIZE
MATERIAL	FINISH	WEIGHT	CAGE CODE
SEE TABLE	SEE TABLE	CUSTOMER DRAWING	DRAWING NO
			A3 00779 C-
			292249
			RESTRICTED TO
			SCALE NON
			SHEET 2 OF 3
			REV A

4

3

2

1

THIS DRAWING IS UNPUBLISHED. RELEASED FOR PUBLICATION  
© COPYRIGHT BY TYCO ELECTRONICS CORPORATION. ALL RIGHTS RESERVED.

LOC	DIST	REVISIONS					
ES	00	P	LTR	DESCRIPTION	DATE	DWN	APVD
		-	-	SEE SHEET 1	-	-	-

D

C

B

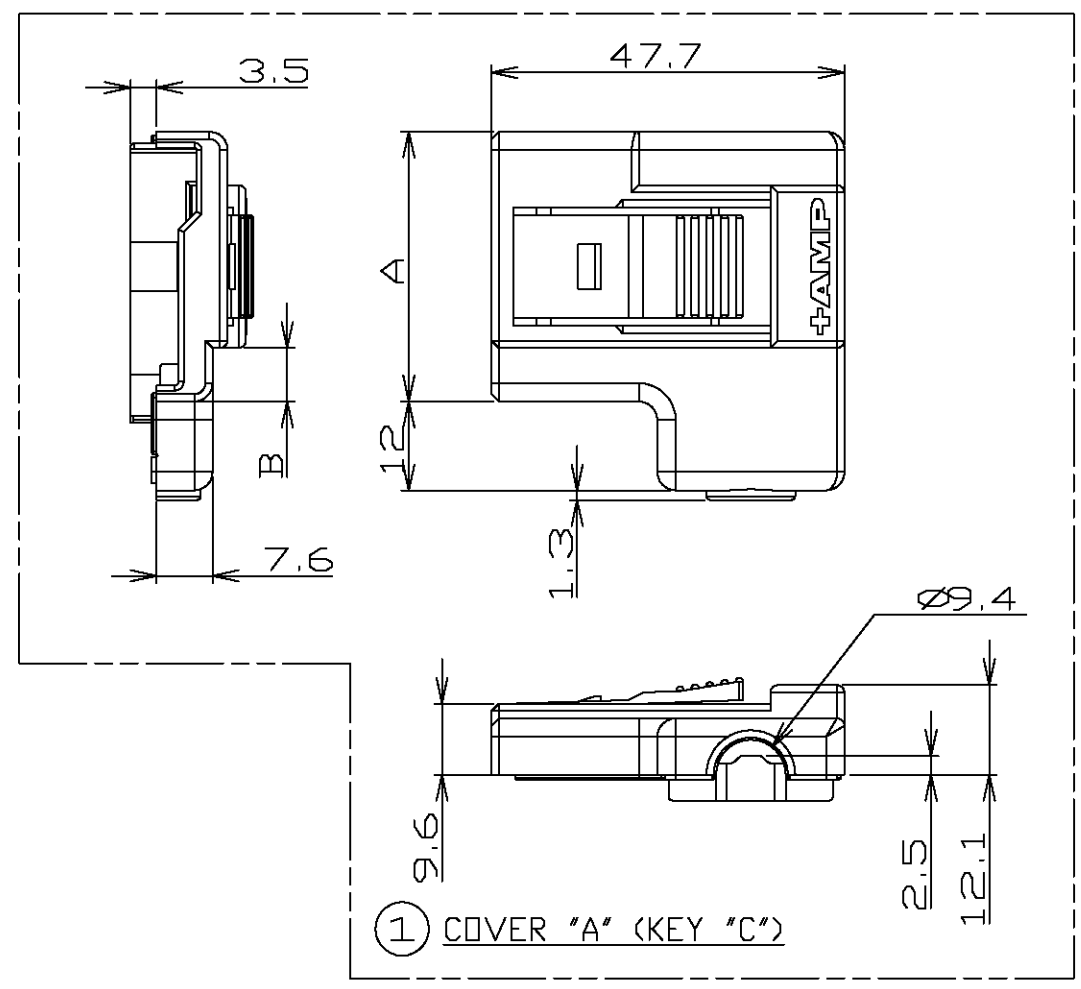
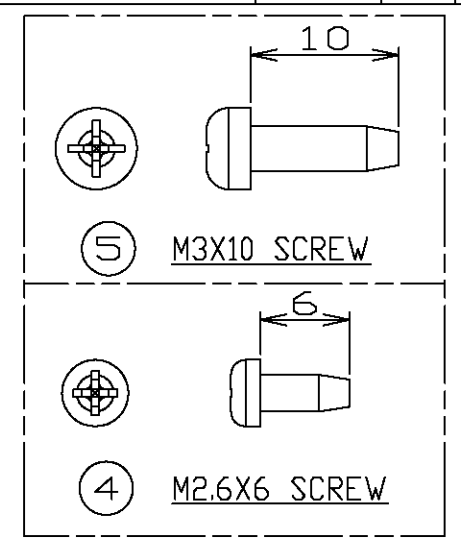
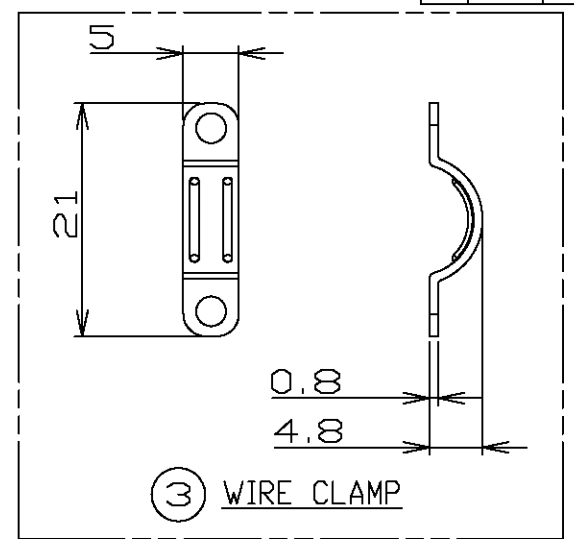
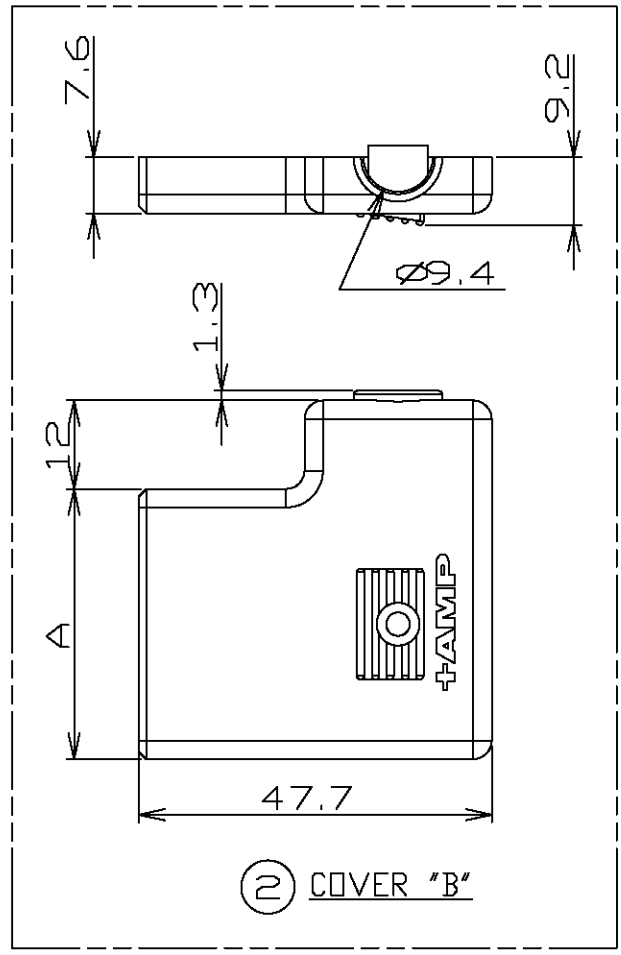
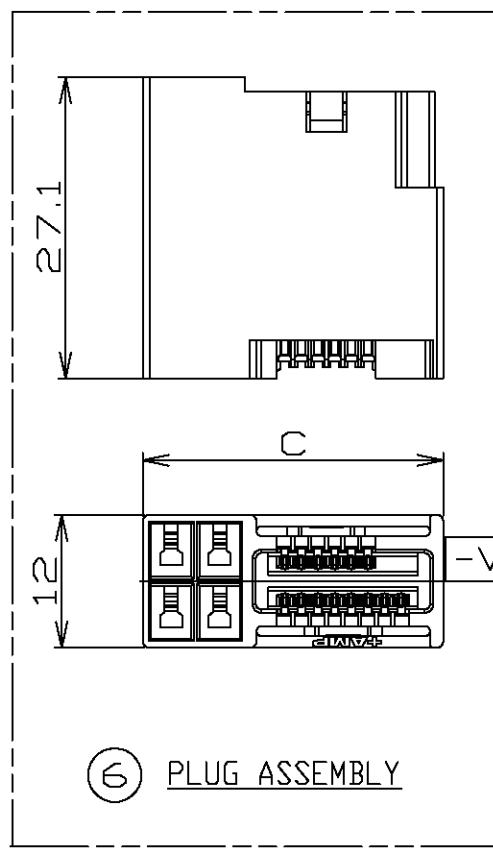
A

D

C

B

A



C	B	A	QTY	MATERIAL & FINISH	DESCRIPTION	PART NUMBER	ITEM	KEY TYPE	PART NUMBER
33.1	—	—	1	THERMOPLASTIC, UL94V-0 COLOR: GRAY	PLUG ASSEMBLY, 22P	2-292245-2	⑥	C	6-292249-2
—	—	—	1	STEEL, ZINC PLATED	TAPTITE SCREW, P-TITE M3X10	292264-1	⑤		
—	—	—	2	STEEL, ZINC PLATED	TAPTITE SCREW, P-TITE M2.6X6	292263-1	④		
—	—	—	1	STEEL, ZINC PLATED	WIRE CLAMP	292265-1	③		
—	—	36.5	1	THERMOPLASTIC, UL94-HB COLOR: GRAY	COVER "B", 22P	2-1318656-2	②		
—	7.25	36.5	1	THERMOPLASTIC, UL94-HB COLOR: GRAY	COVER "A", 22P, KEY "C"	6-1318655-2	①		

THIS DRAWING IS A CONTROLLED DOCUMENT FOR TYCO ELECTRONICS CORPORATION. IT IS SUBJECT TO CHANGE AND THE CONTROLLING ENGINEERING ORGANIZATION SHOULD BE CONTACTED FOR THE LATEST REVISION.

DIMENSIONS: mm	TOLERANCES UNLESS OTHERWISE SPECIFIED:	DWN	Tyco Electronics Corporation Shanghai, P.R.China, 200233 NAME: CABLE CLAMP KIT, HIGH WALL TYPE FOR AMP 1.5mm PITCH MINI CT HYBRID LATTICE CONNECTOR
	0 PLC ±	CHK	
	1 PLC ±	APVD	
	2 PLC ±	PRODUCT SPEC	
	3 PLC ±	APPLICATION SPEC	
MATERIAL	FINISH	WEIGHT	SIZE: A3 CAGE CODE: 00779C DRAWING NO: 292249 RESTRICTED TO:
SEE TABLE	SEE TABLE	CUSTOMER DRAWING	SCALE: NON SHEET 3 OF 3 REV A

# Mouser Electronics

Authorized Distributor

Click to View Pricing, Inventory, Delivery & Lifecycle Information:

[TE Connectivity:](#)

[4-292249-2](#)