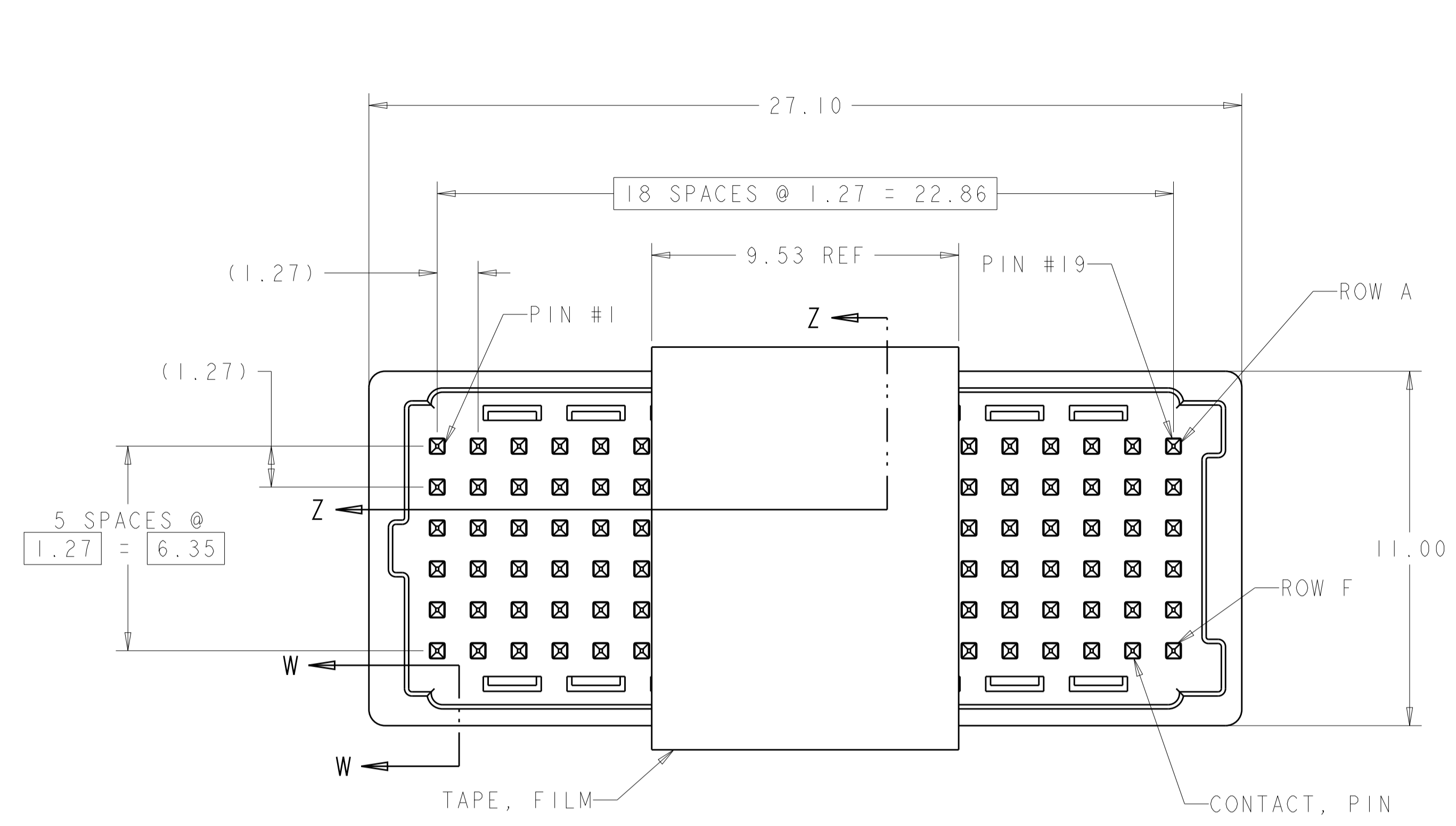
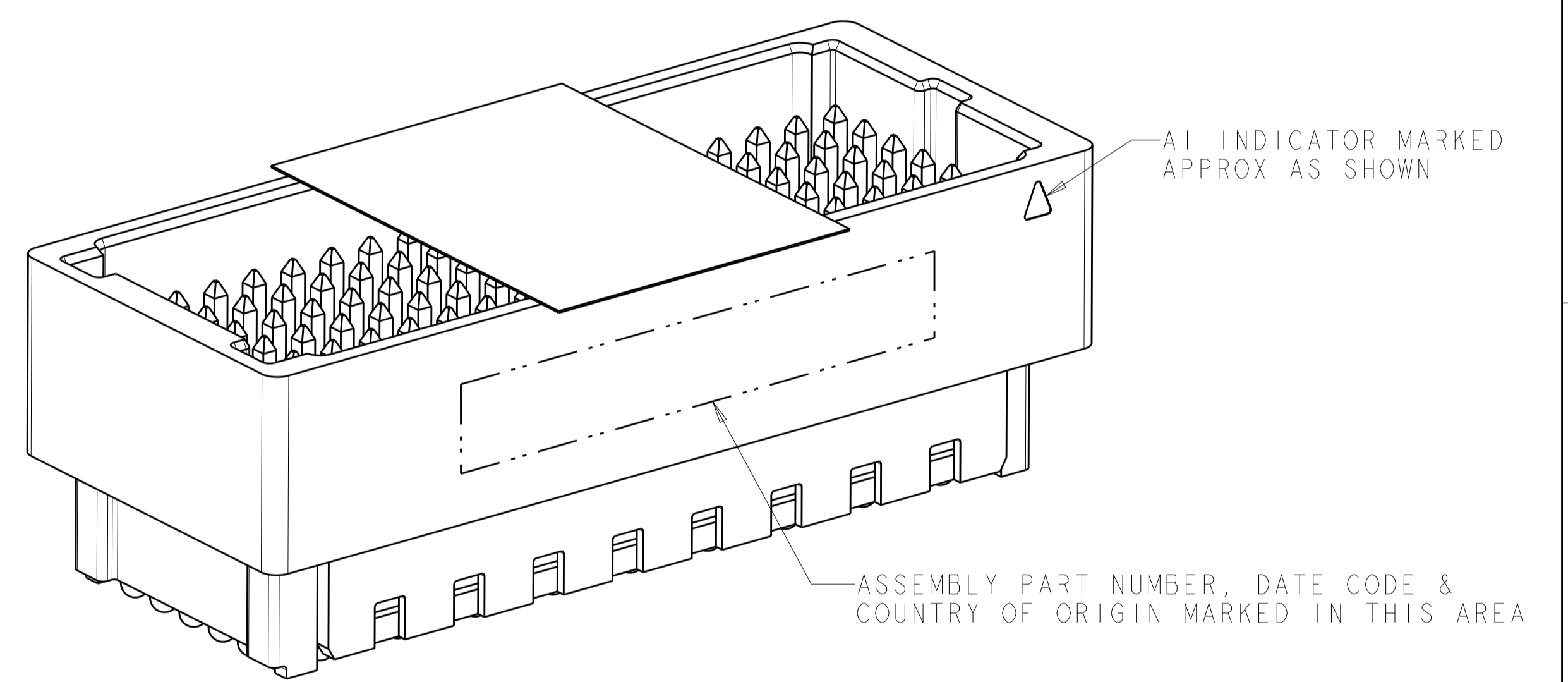
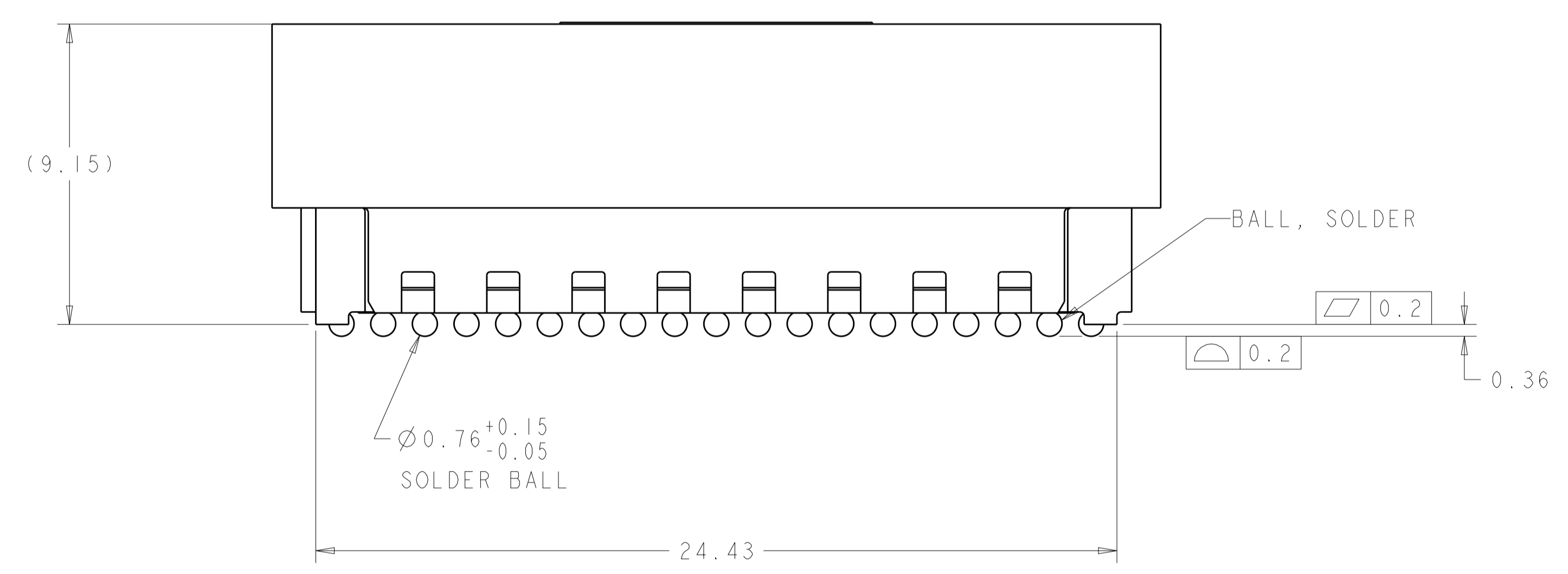
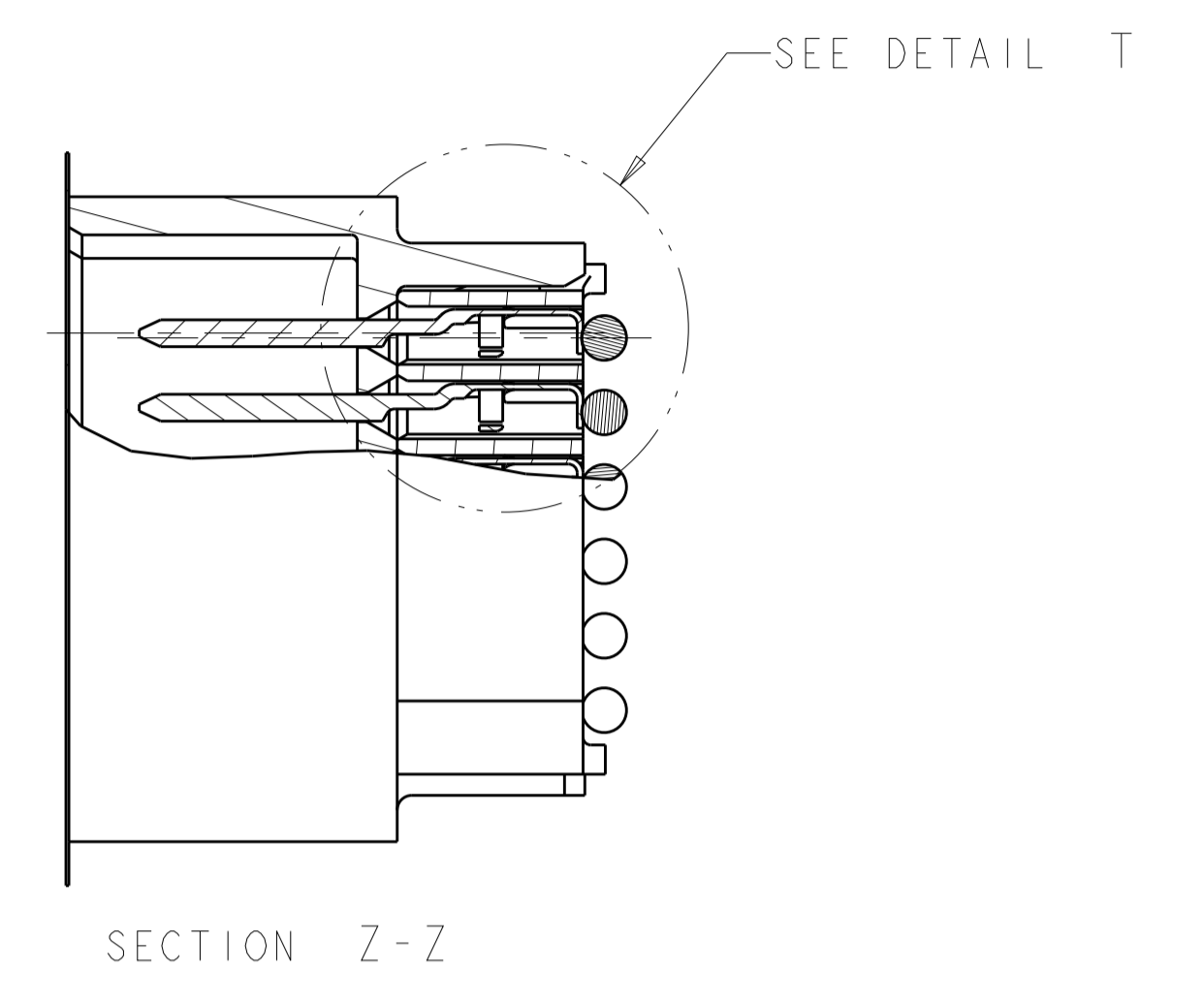
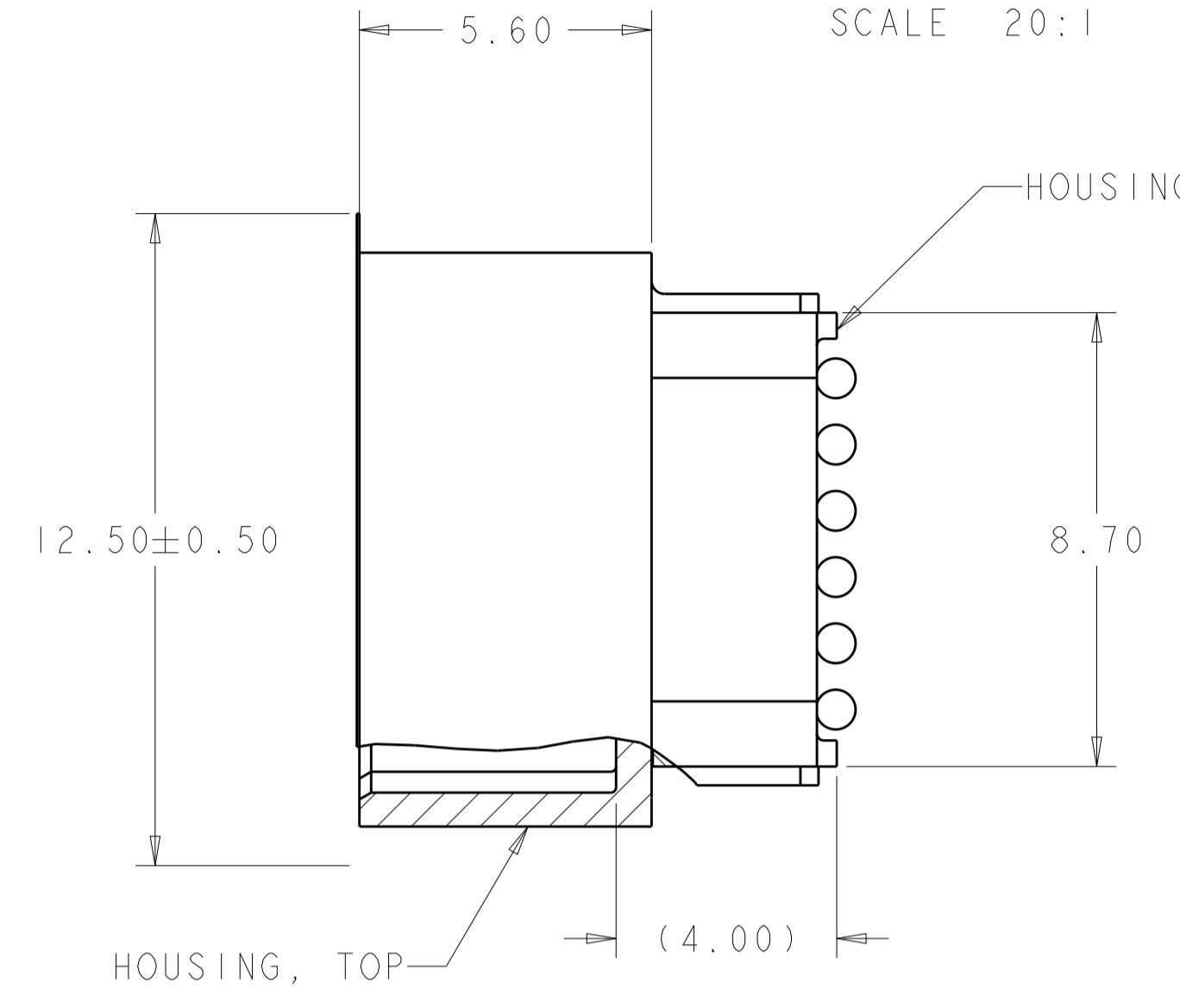
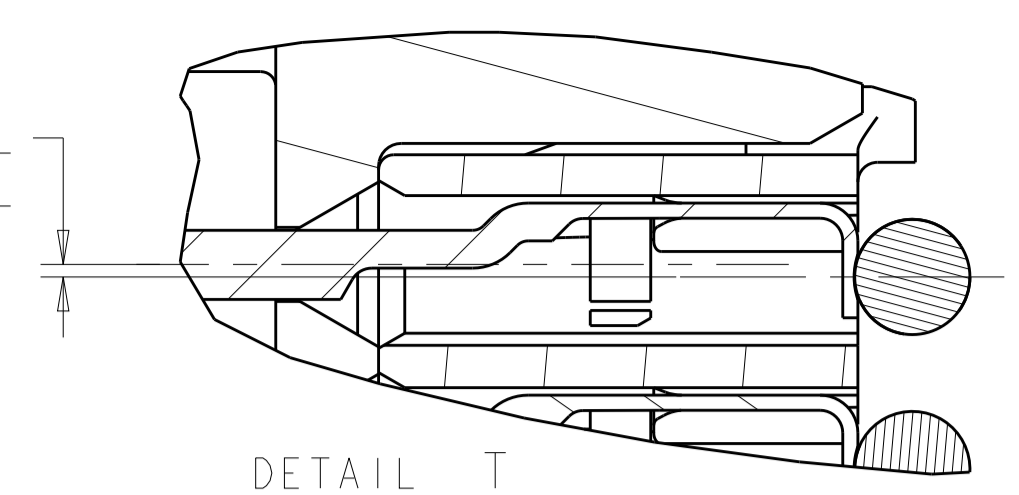


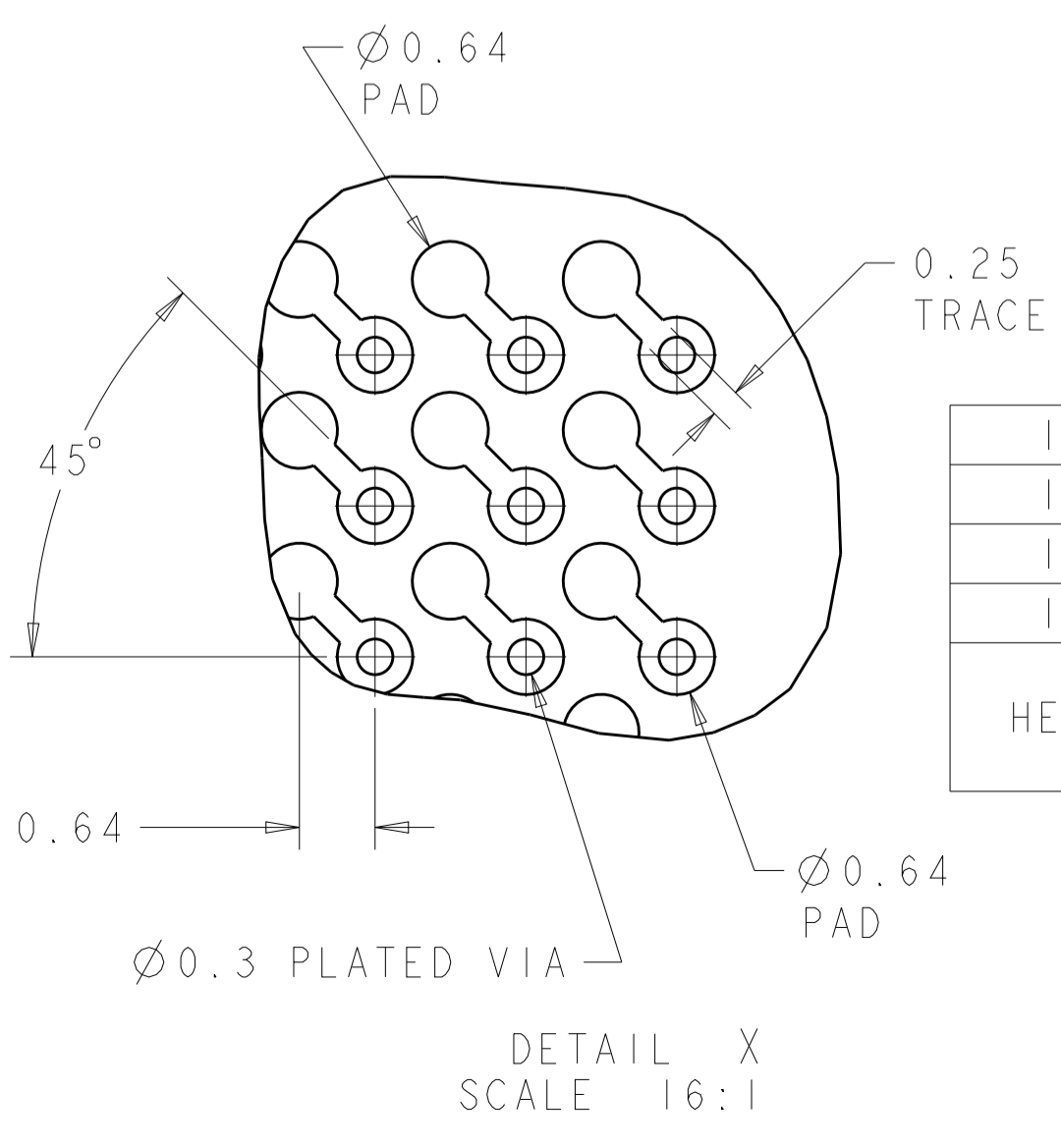
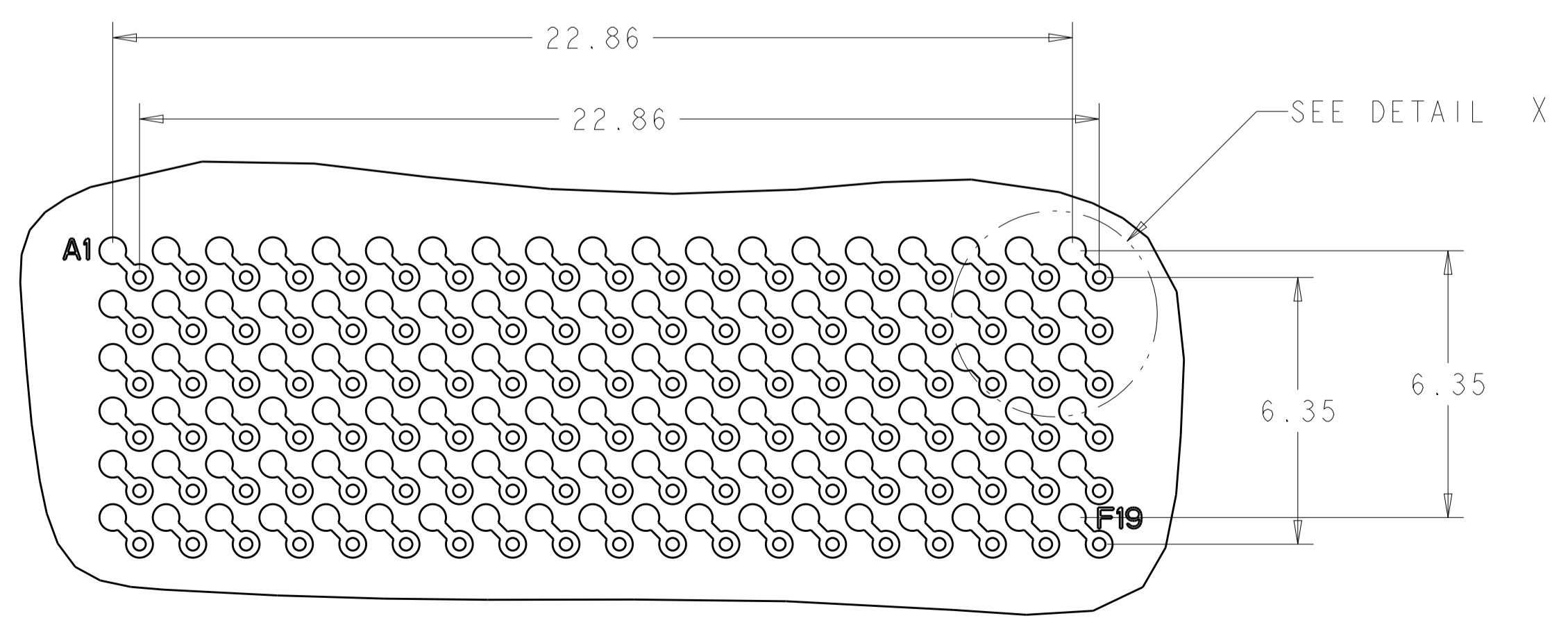
REVISIONS				
P.	LTM	DESCRIPTION	DATE	APP'D
K		REV PER ECO 18-010457	7-24-18	CT JC



0.08 OFFSET FROM CONTACT C/L TO SOLDER BALL C/L



- △ MATERIAL: HOUSINGS; LCP, COLOR-NATURAL CONTACT; PHOSPHOR BRONZE SOLDER BALL; SEE TABLE TAPE, FILM; KAPTON WITH SILICON ADHESIVE
- △ FINISH: CONTACT; GOLD (SEE TABLE) ON MATING AREA OVER NICKEL ON ENTIRE CONTACT.
- 3. PRODUCT IS PACKAGED ON TAPE AND REELED.



1-2102061-6	1-2102061-2	2102061-8	2102061-6	0.76 μ m	LEAD FREE PER SAC405	2102060-4
1-2102061-5	1-2102061-1	2102061-7	2102061-5	0.76 μ m	TIN LEAD	2102060-3
1-2102061-4	1-2102061-0	2102061-4	2102061-2	1.27 μ m	LEAD FREE PER SAC405	2102060-2
1-2102061-3	2102061-9	2102061-3	2102061-1	1.27 μ m	TIN LEAD	2102060-1
15mm STACK HEIGHT MATING CONNECTOR	18mm STACK HEIGHT MATING CONNECTOR	12mm STACK HEIGHT MATING CONNECTOR	10mm STACK HEIGHT MATING CONNECTOR	GOLD PLATING THICKNESS	SOLDER BALL MATERIAL	PART NUMBER

THIS DRAWING IS A CONTROLLED DOCUMENT.

APPROVED: G. DOWNEY 21 JUL 2009
 CHECKED: K. DOWHOWER 21 JUL 2009
 DRAWN: K. DOWHOWER 21 JUL 2009

STE TE Connectivity

NAME: ASSEMBLY, PIN, 114 POSITION, MEZALOK STACKING CONNECTOR

PRODUCT SPEC: 108-2411
 APPLICATION SPEC: 114-13279

SIZE: A1 CAGE CODE: 2102060 DRAWING NO: 100779

MATERIAL: 1 FINISH: 2

CUSTOMER DRAWING SCALE: 8:1 SHEET: 1 OF 1 REV: K

Mouser Electronics

Authorized Distributor

Click to View Pricing, Inventory, Delivery & Lifecycle Information:

[TE Connectivity:](#)

[2102060-3](#)