

**IPB16**

PAGE 1 OF 1

REPLACES

RELEASE NO.

**M**

DRAWING NUMBER

ISSUE

7

CHECK

REVISIONS

A	NEW DWG 035539	K P K K	JUN 79
B	CO- 93593	PPF	22 OCT 98
C	CO- 94273	G J W	15 APR 99

CHECK

J A F

22 OCT 98

CHECK

J A F

22 OCT 98

CHECK

J A F

22 OCT 98

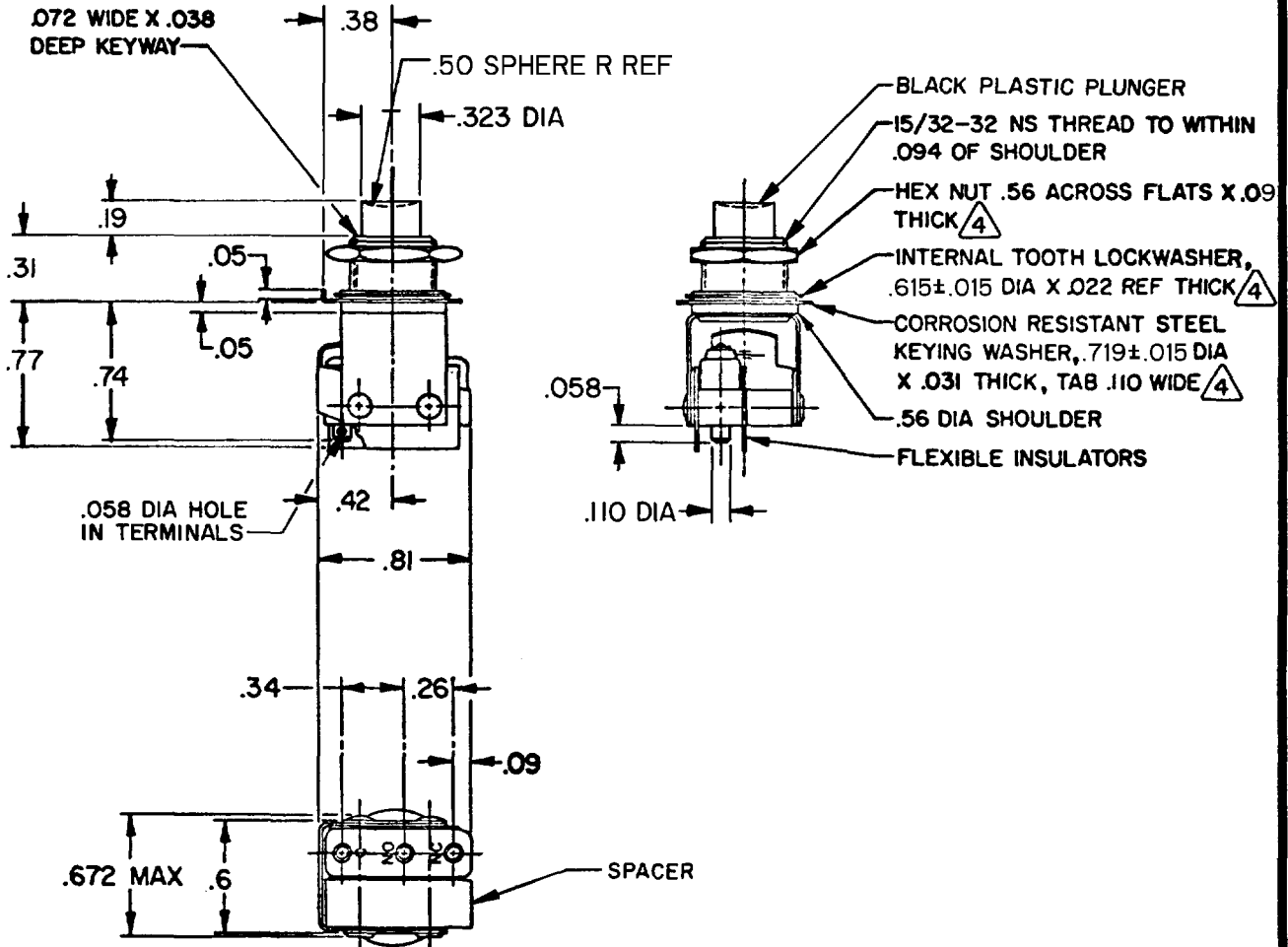
CHECK

J A F

22 OCT 98

CHECK

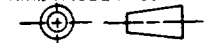
J A F



**NOTE—**  
 1 - UNIT INCLUDES CATALOG LISTING "ISM" TYPE BASIC SWITCH  
 2 - TERMINALS ARE PLATED FOR SOLDERING  
 3 - UNIT WILL PERFORM SATISFACTORILY IN TEMPERATURES TO -65°F  
 4 - MOUNTING HARDWARE FURNISHED UNASSEMBLED

THIS DRAWING COVERS A PROPRIETARY ITEM AND IS THE PROPERTY OF MICRO SWITCH, A DIVISION OF HONEYWELL. THIS DRAWING IS NOT TO BE COPIED OR USED WITHOUT THE APPROVAL OF MICRO SWITCH.

THIRD ANGLE PROJECTION



**CHARACTERISTICS**

OPERATING FORCE — 1 LB APPROX

**ELECTRICAL DATA**

CONTACT ARRANGEMENT  
 S P D T

250 VAC ————— 5 AMP  
 30 VOLTS DC RATING  
 INDUCTIVE ——— SEA LEVEL — 3 AMP  
 50,000 FT — 2.5 AMP  
 RESISTIVE ——— SEA LEVEL — 5 AMP  
 50,000 FT — 5 AMP  
 MAXIMUM INRUSH ————— 24 AMP

**SCALE FULL**

DO NOT SCALE PRINT

**TOLERANCES**

APPLY TO DESIGN UNITS. CONVERSIONS ARE ONLY FOR REFERENCE. UNLESS NOTED, TOLERANCES ARE ±

	DIM.	TOL.	DIM.	TOL.
	mm	mm/in	in	mm/in
NO PLACES	X	17.04	X	0.67/03
ONE PLACE	X,X	0.4/018	X,X	0.38/015
TWO PLACES	X,X,X	0.16/008	X,X,X	0.13/008
THREE PLACES				
ANGLES				

DESIGN UNITS  SI METRIC  US CUSTOMARY

WEIGHT

FORMTEK

FO-52848-A

DRAWN

K P K

JUN 75

CHECK

J A F

# Mouser Electronics

Authorized Distributor

Click to View Pricing, Inventory, Delivery & Lifecycle Information:

[Honeywell:](#)

[1PB16](#)