

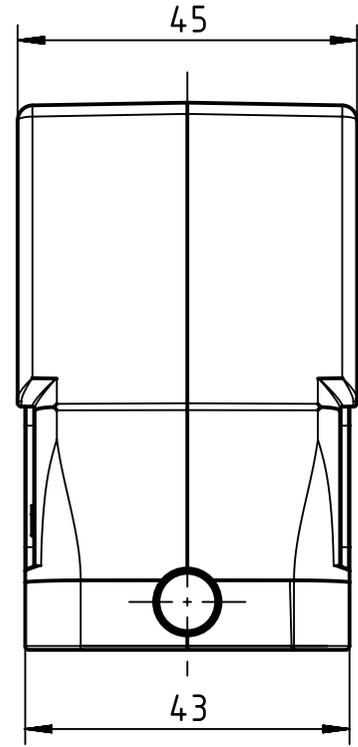
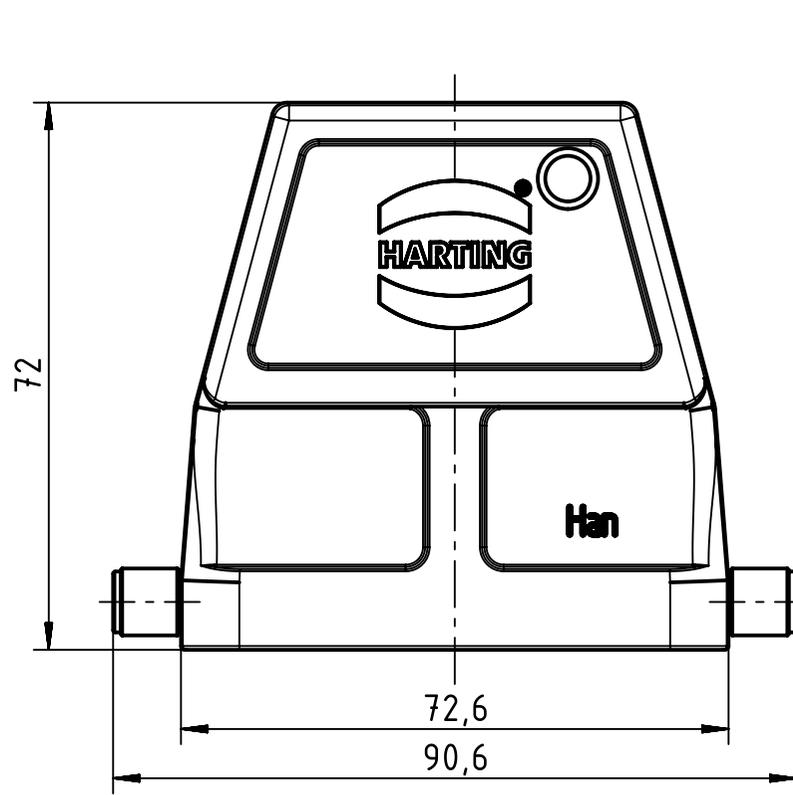
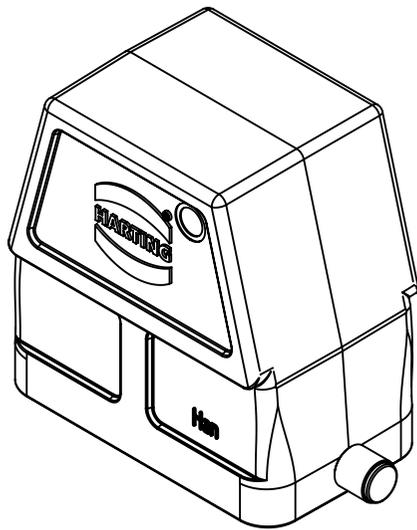
1 2 3 4 5 6

A

B

C

D



	All Dimensions in mm Original Size DIN A4		Scale 1:1		Free size tol.		Ref. Sub. TB 09 30 010 0803 v. 23.08.00					
	All rights reserved Department EL PD - DE		Created by SCHULZI		Inspected by BERGHORN		Standardisation TIEMANNA		Date 2014-07-21		State Final Release	
HARTING Electric GmbH & Co. KG D-32339 Espelkamp			Title Han 10B-GG-R						Doc-Key / ECM-Nr. 100227408/UGD/002/B 500000061817			
			Type TB		Number 09 30 010 0803				Rev. B		Page 1/1	

Mouser Electronics

Authorized Distributor

Click to View Pricing, Inventory, Delivery & Lifecycle Information:

[HARTING:](#)

[09300100803](#)