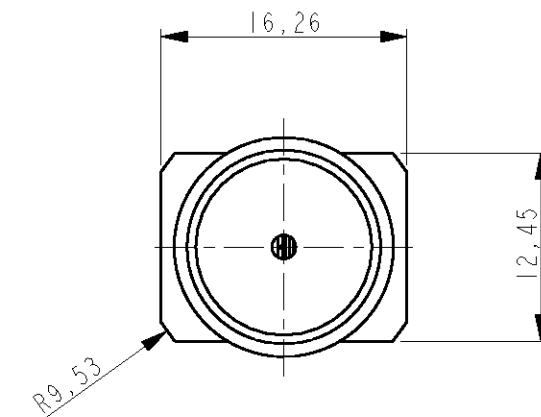
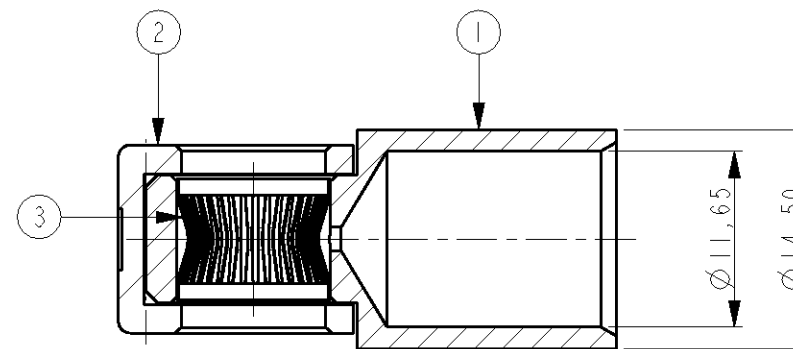
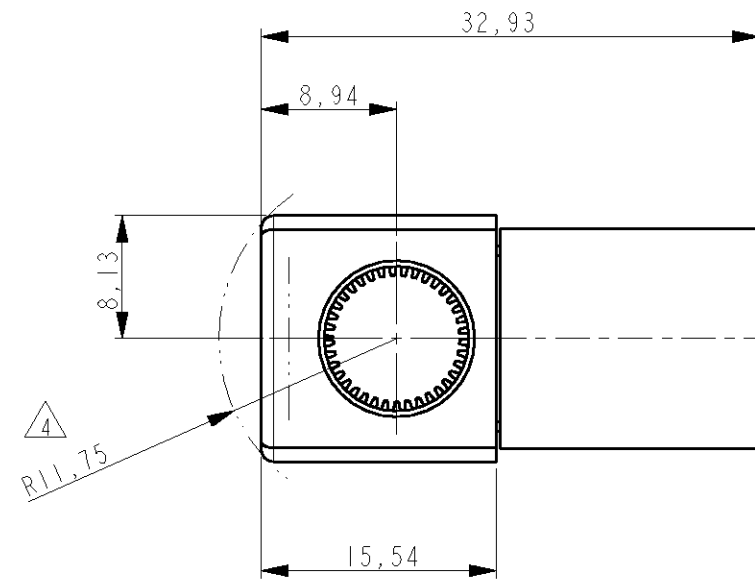


THIS DRAWING IS UNPUBLISHED. RELEASED FOR PUBLICATION 20
 © COPYRIGHT 20 BY TYCO ELECTRONICS CORPORATION. ALL RIGHTS RESERVED.

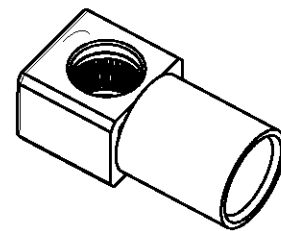
LOC	DIST	REVISIONS			
P	LTR	DESCRIPTION	DATE	DWN	APVD
H	-	B	FIRST ISSUE	22AUG2007	JV RL

NOTES:

- 1 ITEMS PROVIDED TO THIS SPECIFICATION SHALL BE IDENTIFIED ON THE CONTAINER WITH THE FOLLOWING INFORMATION: PART NUMBER & DATE CODE OF MFR.
- 2 MATERIALS:
 SOCKET BODY: TeCu
 CROWN CONTACT: BeCu
 HOUSING: THERMOPLASTIC, 94V-0, COLOR PER TABLE
- 3 FINISHES:
 SOCKET BODY: SILVER PLATING: MIN. 5µm
 OVER MIN. 1µm NICKEL.
 CROWN CONTACT: GOLD PLATING: MIN. 0.75µm
 OVER MIN. 1µm NICKEL.
- 4 ROTATION ARC.
- 5 FOR TERMINATION REFER TO 1926079-1
- 6 MAXIMUM CABLE DIAMETER NOT TO EXCEED 1/2"



6648234-3	BLUE
6648234-2	RED
6648234-1	BLACK



SCALE 1:1

ITEM NO.	DESCRIPTION	QUANT.
3	CROWN, CONTACT, SIZE #0	1
2	HOUSING, CROWN SOCKET, SIZE #2	1
1	CONTACT SOCKET BODY, RIGHT ANGLE, SIZE #0	1

<small>THIS DRAWING IS A CONTROLLED DOCUMENT FOR TYCO ELECTRONICS CORPORATION IT IS SUBJECT TO CHANGE AND THE CONTROLLING ENGINEERING ORGANIZATION SHOULD BE CONTACTED FOR THE LATEST REVISION.</small>		DWN J.VOS 23-Aug-07 CHK R.LOKKER 23-Aug-07 APVD J.BROEKSTEEG 23-Aug-07		Tyco Electronics Corporation 's-Hertogenbosch, Nederland	
DIMENSIONS: mm		TOLERANCES UNLESS OTHERWISE SPECIFIED: 0 PLC ±0,2 1 PLC ±0,1 2 PLC ±0,05 3 PLC ±0,025 4 PLC ±0,005 ANGLES ±2°		NAME JUMPER, CROWN SOCKET, PIN SIZE #0 WITH #0 AWG CRIMP BARREL	
MATERIAL -		FINISH -		SIZE A3 CAGE CODE 00779 DRAWING NO C-6648234 RESTRICTED TO -	
CUSTOMER DRAWING				SCALE 2:1 SHEET 1 OF 1 REV B	

Mouser Electronics

Authorized Distributor

Click to View Pricing, Inventory, Delivery & Lifecycle Information:

[TE Connectivity:](#)

[6648234-1](#)