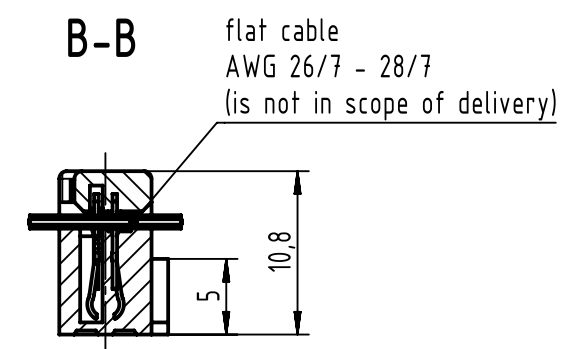
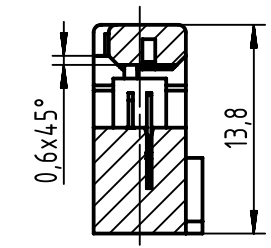


pre-assembled

assembled

A-A

B-B



coding style table

	style A: for connectors 6-pole
	style B: for connectors from 10 to 14-pole
	style C: for connectors from 16 to 64-pole

further information see: DS 09182100600

	All rights reserved Department EC PD - DE	Created by STORCK	Inspected by LEHNERT	Standardisation HOFFMANN	Date 2016-04-05	State Final Release
	HARTING Electronics GmbH D-32339 Espelkamp	Title SEK 18 female connector with open end cover			Doc-Key / ECM-Nr. 100662934/UGD/001/A 50000099698	
		Type TB	Number 09185XXX803		Rev. A	Page 1/2

1	2		3	4	5	6	7	8			
A	performance level										
	no. of contacts	PL3	PL2	S4	insulator colour	remark	quantity	dimensions			
	part number	part number	part number	A max.	B	C	D				
B	06	09 18 506 7803	09 18 506 6803	09 18 506 5803	grey	-		12,2	2 x 2,54 (=5,08)	2	8,02
	10	09 18 510 7803	09 18 510 6803	09 18 510 5803				17,3	4 x 2,54 (=10,16)	3,8	13,1
	14	09 18 514 7803	09 18 514 6803	09 18 514 5803				22,4	6 x 2,54 (=15,24)	3,8	18,18
	16	09 18 516 7803	09 18 516 6803	09 18 516 5803				24,9	7 x 2,54 (=17,78)	3,8	20,72
	20	09 18 520 7803	09 18 520 6803	09 18 520 5803				30	9 x 2,54 (=22,86)	3,8	25,8
	26	09 18 526 7803	09 18 526 6803	09 18 526 5803				37,6	12 x 2,54 (=30,48)	3,8	33,42
	30	09 18 530 7803	09 18 530 6803	09 18 530 5803				42,7	14 x 2,54 (=35,56)	3,8	38,56
	34	09 18 534 7803	09 18 534 6803	09 18 534 5803				47,8	16 x 2,54 (=40,64)	3,8	43,58
	40	09 18 540 7803	09 18 540 6803	09 18 540 5803				55,4	19 x 2,54 (=48,26)	3,8	51,2
	50	09 18 550 7803	09 18 550 6803	09 18 550 5803				68,1	24 x 2,54 (=60,96)	3,8	63,9
	60	09 18 560 7803	09 18 560 6803	09 18 560 5803				80,8	29 x 2,54 (=73,66)	3,8	76,6
	64	09 18 564 7803	09 18 564 6803	09 18 564 5803				85,9	31 x 2,54 (=78,74)	3,8	81,68
C	06	09 18 506 7803 001	09 18 506 6803 001	09 18 506 5803 001	black	-		12,2	2 x 2,54 (=5,08)	2	8,02
	10	09 18 510 7803 001	09 18 510 6803 001	09 18 510 5803 001				17,3	4 x 2,54 (=10,16)	3,8	13,1
	14	09 18 514 7803 001	09 18 514 6803 001	09 18 514 5803 001				22,4	6 x 2,54 (=15,24)	3,8	18,18
	16	09 18 516 7803 001	09 18 516 6803 001	09 18 516 5803 001				24,9	7 x 2,54 (=17,78)	3,8	20,72
	20	09 18 520 7803 001	09 18 520 6803 001	09 18 520 5803 001				30	9 x 2,54 (=22,86)	3,8	25,8
	26	09 18 526 7803 001	09 18 526 6803 001	09 18 526 5803 001				37,6	12 x 2,54 (=30,48)	3,8	33,42
	30	09 18 530 7803 001	09 18 530 6803 001	09 18 530 5803 001				42,7	14 x 2,54 (=35,56)	3,8	38,56
	34	09 18 534 7803 001	09 18 534 6803 001	09 18 534 5803 001				47,8	16 x 2,54 (=40,64)	3,8	43,58
	40	09 18 540 7803 001	09 18 540 6803 001	09 18 540 5803 001				55,4	19 x 2,54 (=48,26)	3,8	51,2
	50	09 18 550 7803 001	09 18 550 6803 001	09 18 550 5803 001				68,1	24 x 2,54 (=60,96)	3,8	63,9
	60	09 18 560 7803 001	09 18 560 6803 001	09 18 560 5803 001				80,8	29 x 2,54 (=73,66)	3,8	76,6
	64	09 18 564 7803 001	09 18 564 6803 001	09 18 564 5803 001				85,9	31 x 2,54 (=78,74)	3,8	81,68
D	06	09 18 506 7803 58U	09 18 506 6803 58U	09 18 506 5803 58U	grey	bulk packaging	5000 pieces	12,2	2 x 2,54 (=5,08)	2	8,02
	10	09 18 510 7803 58U	09 18 510 6803 58U	09 18 510 5803 58U			5000 pieces	17,3	4 x 2,54 (=10,16)	3,8	13,1
	14	09 18 514 7803 58U	09 18 514 6803 58U	09 18 514 5803 58U			5000 pieces	22,4	6 x 2,54 (=15,24)	3,8	18,18
	16	09 18 516 7803 58U	09 18 516 6803 58U	09 18 516 5803 58U			5000 pieces	24,9	7 x 2,54 (=17,78)	3,8	20,72
	20	09 18 520 7803 58U	09 18 520 6803 58U	09 18 520 5803 58U			5000 pieces	30	9 x 2,54 (=22,86)	3,8	25,8
	26	09 18 526 7803 58U	09 18 526 6803 58U	09 18 526 5803 58U			5000 pieces	37,6	12 x 2,54 (=30,48)	3,8	33,42
	30	09 18 530 7803 58U	09 18 530 6803 58U	09 18 530 5803 58U			5000 pieces	42,7	14 x 2,54 (=35,56)	3,8	38,56
	34	09 18 534 7803 58U	09 18 534 6803 58U	09 18 534 5803 58U			3000 pieces	47,8	16 x 2,54 (=40,64)	3,8	43,58
	40	09 18 540 7803 58U	09 18 540 6803 58U	09 18 540 5803 58U			3000 pieces	55,4	19 x 2,54 (=48,26)	3,8	51,2

	All rights reserved	Created by	Inspected by	Standardisation	Date	State	
	Department EC PD - DE	STORCK	LEHNERT	HOFFMANN	2016-04-05	Final Release	
HARTING Electronics GmbH D-32339 Espelkamp		Title SEK 18 female connector with open end cover				Doc-Key / ECM-Nr. 100662934/UGD/001/A 50000099698	
		Type	Number		Rev.	Page	
		TB	09185XXX803		A	2/2	

Mouser Electronics

Authorized Distributor

Click to View Pricing, Inventory, Delivery & Lifecycle Information:

HARTING:

[09185067803](#) [09185105803](#) [09185106803](#) [09185146803](#) [09185165803](#) [09185166803](#) [09185167803](#)
[09185206803](#) [09185207803](#) [09185266803](#) [09185267803](#) [09185346803](#) [09185347803](#) [09185405803](#) [09185407803](#)
[09185507803](#) [09185605803](#) [09185607803](#) [09185646803](#) [09185647803](#) [09185406803](#) [09185147803](#)
[09185506803](#) [09185265803](#) [09185107803](#) [09185205803](#) [09185307803](#) [09185066803](#) [09185145803](#) [09185305803](#)
[09185505803](#) [09185065803](#) [09185645803](#) [09185306803](#) [09185345803](#) [09185606803](#) [0918506780358U](#)
[0918520780358U](#) [0918534680358U](#) [0918514780358U](#) [0918516780358U](#)