

THIS DRAWING IS UNPUBLISHED.

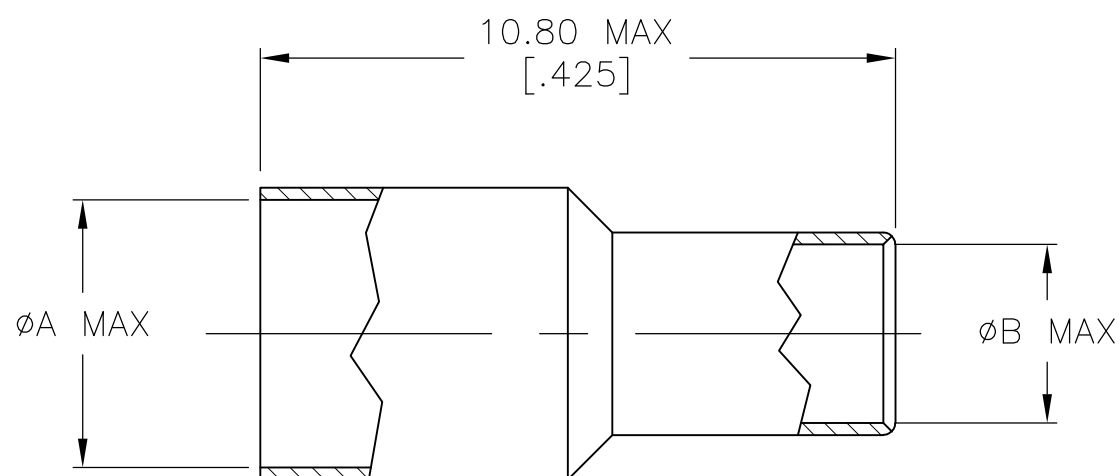
RELEASED FOR PUBLICATION

REVISIONS

© COPYRIGHT - By -

ALL RIGHTS RESERVED.

P	LTR	DESCRIPTION	DATE	DWN	APVD
	T5	REVISED PER ECR-17-009545	08AUG2017	AS	RS



- 1 SILVER PLATE PER QQ-S-365  
5.08  $\mu m$  [.000200] MINIMUM THICK.
- 2 TIN-LEAD PLATE PER ASTM-B-545  
2.54  $\mu m$  [.000100] MINIMUM THICK,  
WITH SUPPLEMENTAL ANTI FRETTING LUBRICANT.
- 3 GOLD PLATE PER MIL-G-45204  
0.76  $\mu m$  [.000030] MINIMUM THICK.
- 4 MATTE TIN PLATE PER ASTM-B-545  
2.54  $\mu m$  [.000100] MINIMUM THICK,  
WITH SUPPLEMENTAL ANTI FRETTING LUBRICANT.
- 5 BRIGHT TIN PLATE PER ASTM-B-545  
2.54  $\mu m$  [.000100] MINIMUM THICK,  
WITH SUPPLEMENTAL ANTI FRETTING LUBRICANT.
- 6 328666 REPLACED BY 9-328666-3

	3.05 [.120]	4.55 [.179]	5	9-328666-4
	3.05 [.120]	3.86 [.152]	1	9-328666-3
	3.73 [.147]	4.55 [.179]	4	9-328666-2
	3.05 [.120]	3.86 [.152]	4	9-328666-1
	3.05 [.120]	4.55 [.179]	4	9-328666-0
	3.40 [.134]	4.55 [.179]	2	3-328666-9
	5.03 [.198]	5.51 [.217]	2	3-328666-6
OBSOLETE	3.73 [.147]	4.55 [.179]	2	3-328666-3
	3.05 [.120]	3.86 [.152]	2	2-328666-7
	3.05 [.120]	4.55 [.179]	3	2-328666-6
OBSOLETE	3.05 [.120]	4.55 [.179]	2	2-328666-5
	3.05 [.120]	4.55 [.179]	1	2-328666-3
OBSOLETE	3.05 [.120]	3.86 [.152]	1	328666
	B	A	FINISH	PART NUMBER

THIS DRAWING IS A CONTROLLED DOCUMENT.		DWN J. LIPPERT 28MAR01	<b>STE</b> TE Connectivity		
		CHK R.E.RUTH 7/27/90			
DIMENSIONS: mm [INCHES]		APVD M. SNEED 7/27/90	NAME		
TOLERANCES UNLESS OTHERWISE SPECIFIED:		PRODUCT SPEC	FERRULE		
0 PLC $\pm$ -		APPLICATION SPEC	SIZE		
1 PLC $\pm$ -			CAGE CODE	DRAWING NO	RESTRICTED TO
2 PLC $\pm$ -					
3 PLC $\pm$ -			WEIGHT	A300779	C-328666
4 PLC $\pm$ -			CUSTOMER DRAWING	SCALE	SHEET
ANGLES $\pm$ -				1:1	1 OF 1
FINISH				REV	T5
COPPER ALLOY		SEE TABLE			

# Mouser Electronics

Authorized Distributor

Click to View Pricing, Inventory, Delivery & Lifecycle Information:

[TE Connectivity:](#)

[2-328666-3](#)