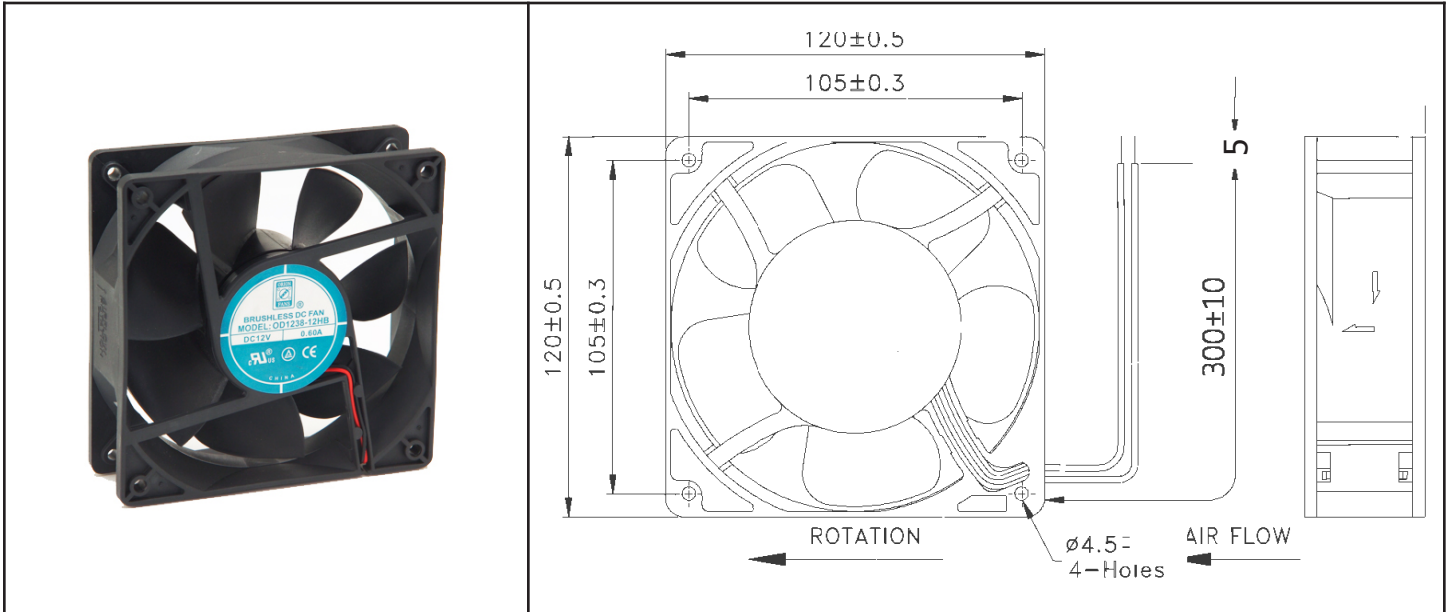


OD1238 Series



DC Fan - 12, 24, 48V
120x38mm (4.7"x 1.5")



Frame & Impeller	PBT, UL94V-0 plastic	Available Options Tachometer Alarm PWM Thermal control IP55 Sleeve Bearing Life Expectancy (L10) 65,000 hours (45C) Weight: ~0.72 lbs m1	
Connection	2x Lead wires 24AWG		
Motor	Brushless DC, auto restart, polarity and IC protected		
Bearing System	Dual ball bearing		
Insulation Resistance	10M ohm between leadwire and frame (500VDC)		
Dielectric Strength	1 minute at 500 VAC, max leakage < 500 MicroAmp		
Temperature Range	-10C ~ 70C		
Storage Temperature	-40C ~ +80C		

Model Number	Speed (RPM)	Airflow (CFM)	Noise (dB)	Volts DC	Input Power (Watts)	Amps	Max. Static Pressure ("H ₂ O)
OD1238-12HB	2800	105	43	12	6	0.50	0.24
OD1238-12MB	2540	95	41	12	4	0.35	0.23
OD1238-12LB	1950	73	33	12	3	0.24	0.13
OD1238-12LLB	1500	53	27	12	2	0.16	0.09
OD1238-24HB	2800	105	43	24	7	0.32	0.24
OD1238-24MB	2540	95	41	24	6	0.23	0.23
OD1238-24LB	1950	73	33	24	4	0.14	0.13
OD1238-48HB	2800	105	43	48	10	0.20	0.24
OD1238-48MB	2540	95	41	48	7	0.14	0.23
OD1238-48LB	1950	73	33	48	5	0.10	0.13
OD1238-48LLB	1500	53	27	48	4	0.08	0.09

* Indicate "B" to specify Ball bearing or "S" to specify Sleeve bearing

Mouser Electronics

Authorized Distributor

Click to View Pricing, Inventory, Delivery & Lifecycle Information:

Orion Fans:

[OD1238PT-12MWB](#) [OD1238PT-12HWB](#) [OD1238PT-12LWB](#) [OD1238-12LTB](#) [OD1238-12MTB](#) [OD1238-24MTB](#)
[OD1238AN-24HTB](#) [OD1238-12HS-C](#) [OD1238-24HB01A](#) [OD1238-12HB01A](#) [OD1238-24HB02A](#) [OD1238-12HB02A](#)
[OD1238-12MB01](#) [OD1238-24HBIP55](#) [OD1238PT-12MTB](#) [OD1238-24MTS](#) [OD1238-12MTB](#)