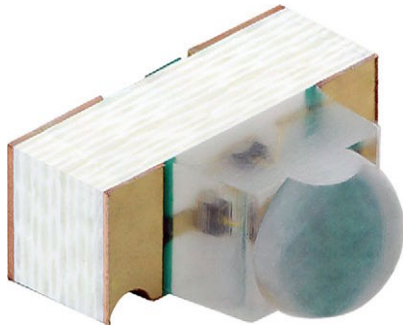


High Speed Infrared Emitting Diodes, 940 nm, Surface Emitter Technology



DESCRIPTION

As part of the [SurfLight™](#) portfolio, the VSMY14940 is an infrared, 940 nm, side looking emitting diode based on GaAlAs surface emitter chip technology with extreme high radiant intensities, high optical power and high speed, molded in clear, untinted PCB based package (with lens) for surface mounting (SMD).

APPLICATIONS

- Emitter for remote control (38 kHz)
- Learning remote control
- Photointerrupters
- Optical switch

FEATURES

- Package type: surface-mount
- Package form: side view
- Dimensions (L x W x H in mm): 3.0 x 2.51 x 1.2
- Peak wavelength: $\lambda_p = 940$ nm
- High reliability
- High radiant power
- Very high radiant intensity
- Angle of half intensity: $\phi = \pm 9^\circ$
- Suitable for high pulse current operation
- Floor life: 168 h, MSL 3, according to J-STD-020
- Material categorization: for definitions of compliance please see www.vishay.com/doc?99912



| PRODUCT SUMMARY | | | | |
|-----------------|---------------|--------------|------------------|------------|
| COMPONENT | I_e (mW/sr) | ϕ (deg) | λ_p (nm) | t_r (ns) |
| VSMY14940 | 90 | ± 9 | 940 | 5 |

Note

- Test condition see table “Basic Characteristics”

| ORDERING INFORMATION | | | |
|----------------------|---------------|------------------------------|--------------|
| ORDERING CODE | PACKAGING | REMARKS | PACKAGE FORM |
| VSMY14940 | Tape and reel | MOQ: 1500 pcs, 1500 pcs/reel | Side view |

Note

- MOQ: minimum order quantity

| ABSOLUTE MAXIMUM RATINGS ($T_{amb} = 25^\circ\text{C}$, unless otherwise specified) | | | | |
|---|---------------------------------|------------|-------------|------------------|
| PARAMETER | TEST CONDITION | SYMBOL | VALUE | UNIT |
| Reverse voltage | | V_R | 5 | V |
| Forward current | | I_F | 70 | mA |
| Surge forward current | $t_p = 100 \mu\text{s}$ | I_{FSM} | 0.7 | A |
| Power dissipation | | P_V | 119 | mW |
| Junction temperature | | T_j | 100 | $^\circ\text{C}$ |
| Operating temperature range | | T_{amb} | -40 to +85 | $^\circ\text{C}$ |
| Storage temperature range | | T_{stg} | -55 to +100 | $^\circ\text{C}$ |
| Soldering temperature | According to Fig. 10, J-STD-020 | T_{sd} | 260 | $^\circ\text{C}$ |
| Thermal resistance junction-to-ambient | J-STD-051, soldered on PCB | R_{thJA} | 390 | K/W |

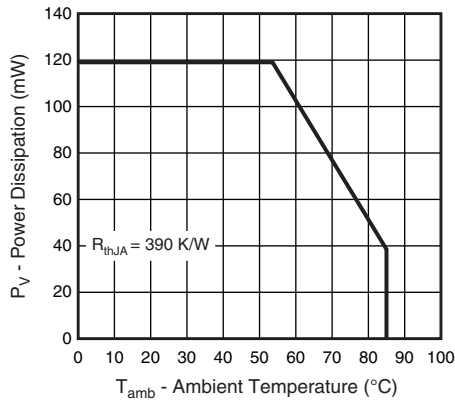


Fig. 1 - Power Dissipation Limit vs. Ambient Temperature

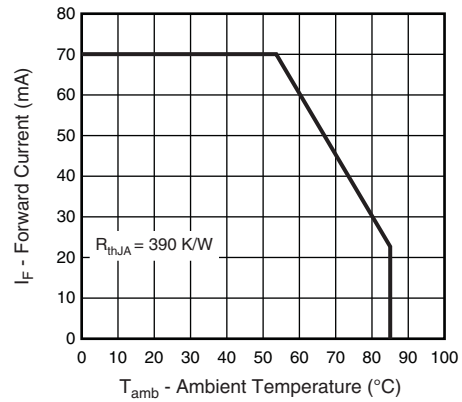


Fig. 2 - Forward Current Limit vs. Ambient Temperature

| BASIC CHARACTERISTICS (T _{amb} = 25 °C, unless otherwise specified) | | | | | | |
|---|--|-----------------------------|------------------------------------|-------|------|-------|
| PARAMETER | TEST CONDITION | SYMBOL | MIN. | TYP. | MAX. | UNIT |
| Forward voltage | I _F = 20 mA, t _p = 20 ms | V _F | 1.1 | 1.3 | 1.5 | V |
| | I _F = 70 mA, t _p = 20 ms | V _F | - | 1.5 | - | V |
| | I _F = 0.7 A, t _p = 100 μs | V _F | - | 3.0 | - | V |
| Temperature coefficient of V _F | I _F = 20 mA | TK _{V_F} | - | -0.9 | - | mV/K |
| Reverse current | | I _R | Not designed for reverse operation | | | nA |
| Junction capacitance | V _R = 0 V, f = 1 MHz, E = 0 mW/cm ² | C _J | - | 30 | - | pF |
| Radiant intensity | I _F = 20 mA, t _p = 20 ms | I _e | 15 | 25 | - | mW/sr |
| | I _F = 70 mA, t _p = 20 ms | I _e | - | 90 | - | mW/sr |
| | I _F = 0.7 A, t _p = 100 μs | I _e | - | 560 | - | mW/sr |
| Reverse light current | E _e = 1 mW/cm ² , λ = 950 nm, V _R = 5 V | I _{ra} | - | 0.5 | - | μA |
| Radiant power | I _F = 70 mA, t _p = 20 ms | φ _e | - | 40 | - | mW |
| Temperature coefficient of radiant power | I _F = 70 mA | TKφ _e | - | -0.21 | - | %/K |
| Angle of half intensity | | φ | - | ± 9 | - | deg |
| Peak wavelength | I _F = 70 mA | λ _p | 920 | 940 | 960 | nm |
| Spectral bandwidth | I _F = 70 mA | Δλ | - | 55 | - | nm |
| Temperature coefficient of λ _p | I _F = 70 mA | TKλ _p | - | 0.28 | - | nm/K |
| Rise time | I _F = 70 mA, 10 % to 90 % | t _r | - | 5 | - | ns |
| Fall time | I _F = 70 mA, 10 % to 90 % | t _f | - | 6 | - | ns |

BASIC CHARACTERISTICS ($T_{amb} = 25\text{ }^{\circ}\text{C}$, unless otherwise specified)

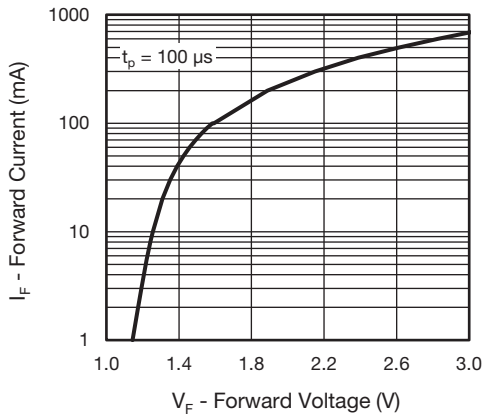


Fig. 3 - Forward Current vs. Forward Voltage

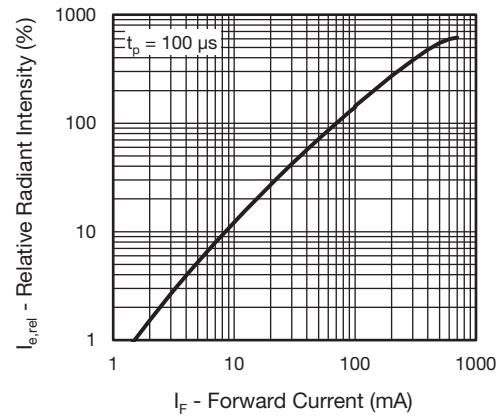


Fig. 6 - Relative Radiant Intensity vs. Forward Current

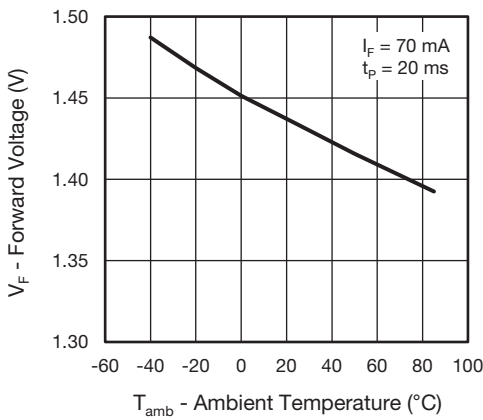


Fig. 4 - Forward Voltage vs. Ambient Temperature

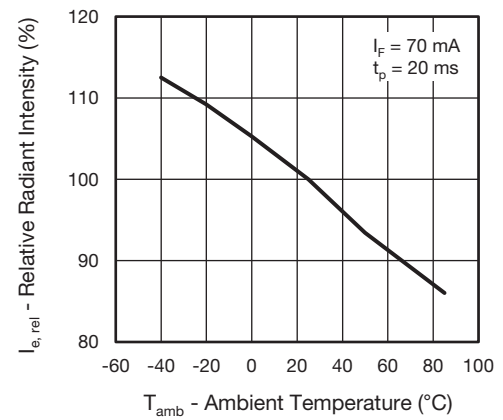


Fig. 7 - Relative Radiant Intensity vs. Ambient Temperature

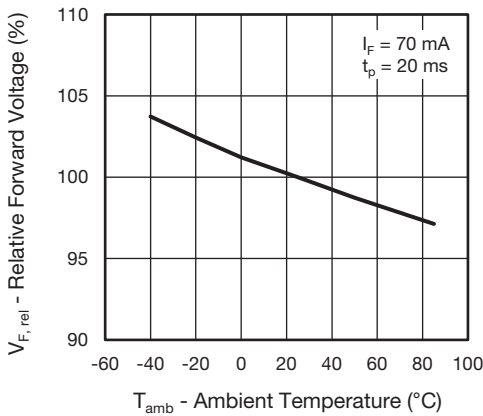


Fig. 5 - Relative Forward Voltage vs. Ambient Temperature

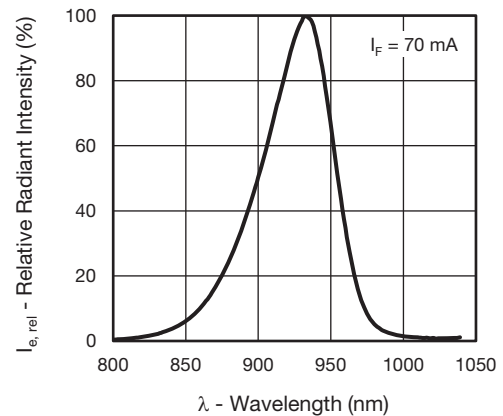


Fig. 8 - Relative Radiant Intensity vs. Wavelength

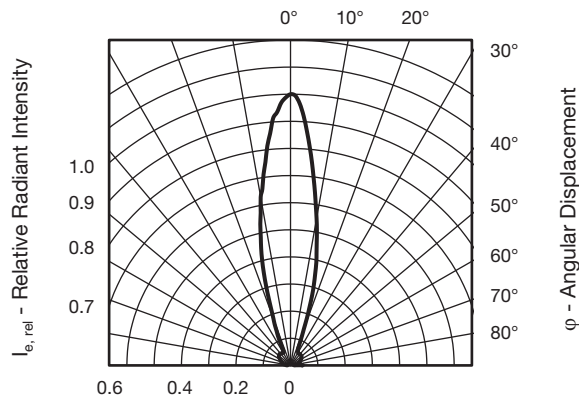


Fig. 9 - Relative Radiant Intensity vs. Angular Displacement

DRYPACK

Devices are packed in moisture barrier bags (MBB) to prevent the products from moisture absorption during transportation and storage. Each bag contains a desiccant.

FLOOR LIFE

Floor life (time between soldering and removing from MBB) must not exceed the time indicated on MBB label:

Floor life: 168 h

Conditions: $T_{amb} < 30\text{ }^{\circ}\text{C}$, $\text{RH} < 60\%$

Moisture sensitivity level 3, according to J-STD-020.

DRYING

In case of moisture absorption devices should be baked before soldering. Conditions see J-STD-020 or label. Devices taped on reel dry using recommended conditions 192 h at $40\text{ }^{\circ}\text{C}$ (+ $5\text{ }^{\circ}\text{C}$), $\text{RH} < 5\%$.

SOLDER PROFILE

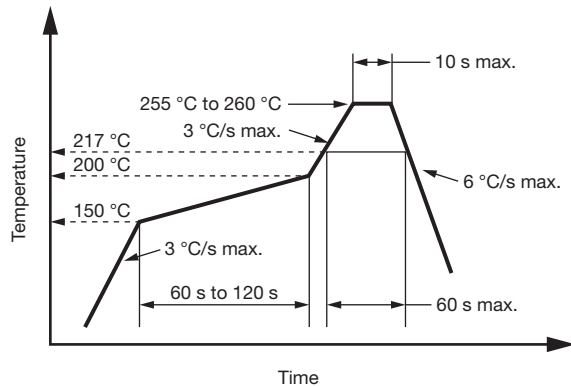
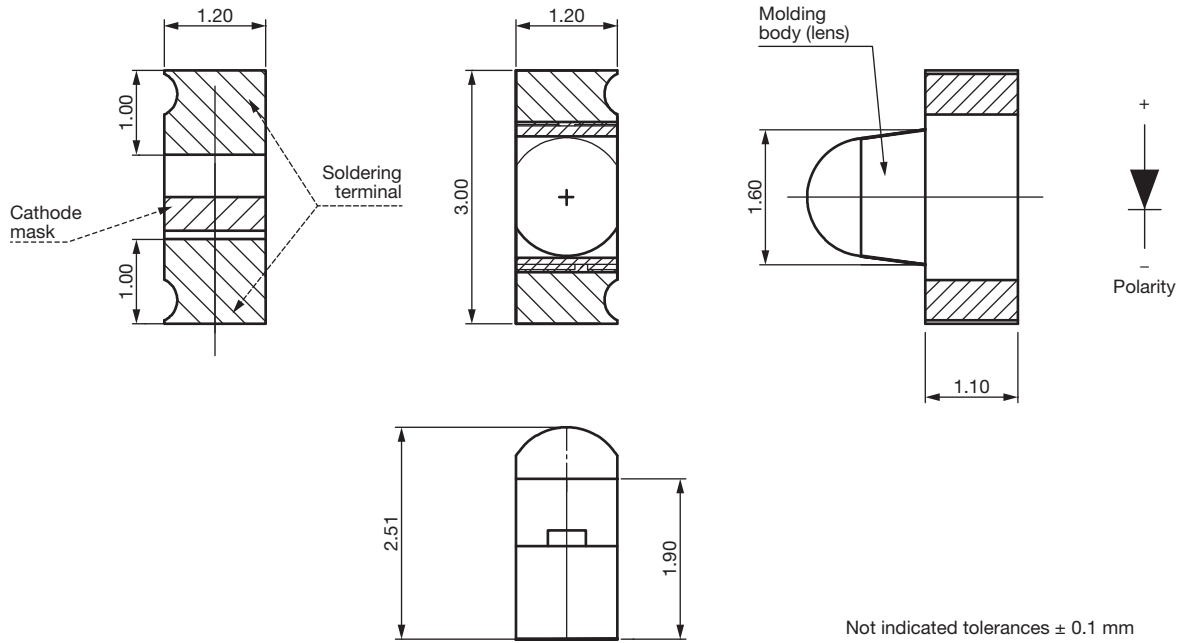


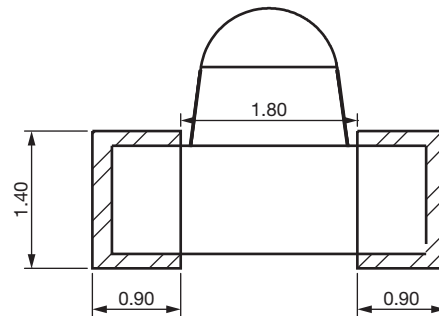
Fig. 10 - Lead (Pb)-free Reflow Solder Profile According to J-STD-020



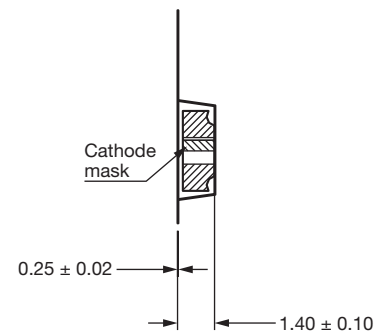
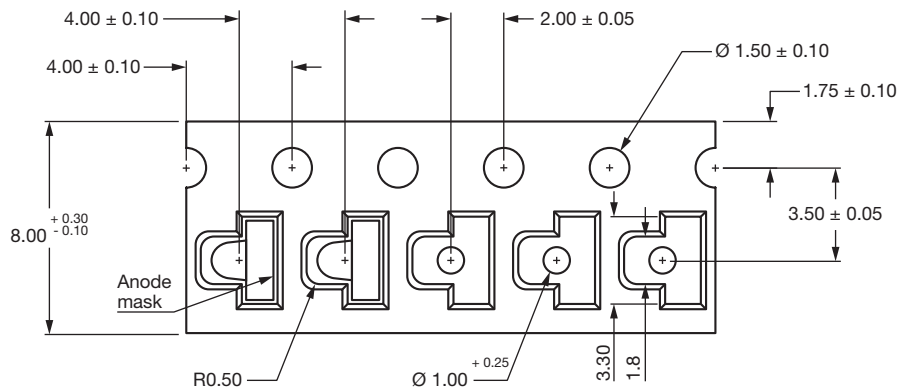
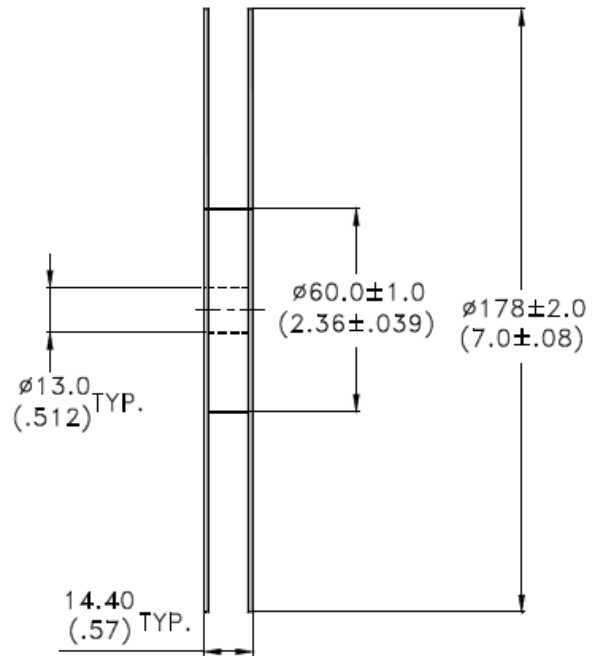
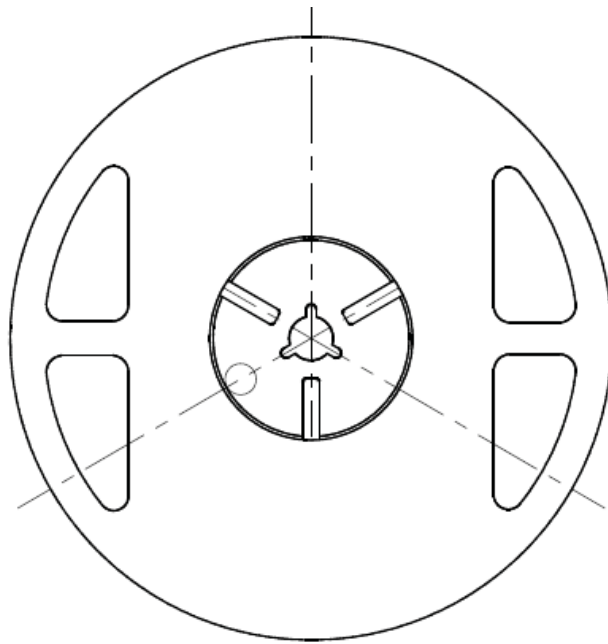
PACKAGE DIMENSIONS in millimeters: **VSMY14940**



Recommended Solder Pad



TAPING AND REEL DIMENSIONS in millimeters: **VSMY14940**





Disclaimer

ALL PRODUCT, PRODUCT SPECIFICATIONS AND DATA ARE SUBJECT TO CHANGE WITHOUT NOTICE TO IMPROVE RELIABILITY, FUNCTION OR DESIGN OR OTHERWISE.

Vishay Intertechnology, Inc., its affiliates, agents, and employees, and all persons acting on its or their behalf (collectively, "Vishay"), disclaim any and all liability for any errors, inaccuracies or incompleteness contained in any datasheet or in any other disclosure relating to any product.

Vishay makes no warranty, representation or guarantee regarding the suitability of the products for any particular purpose or the continuing production of any product. To the maximum extent permitted by applicable law, Vishay disclaims (i) any and all liability arising out of the application or use of any product, (ii) any and all liability, including without limitation special, consequential or incidental damages, and (iii) any and all implied warranties, including warranties of fitness for particular purpose, non-infringement and merchantability.

Statements regarding the suitability of products for certain types of applications are based on Vishay's knowledge of typical requirements that are often placed on Vishay products in generic applications. Such statements are not binding statements about the suitability of products for a particular application. It is the customer's responsibility to validate that a particular product with the properties described in the product specification is suitable for use in a particular application. Parameters provided in datasheets and / or specifications may vary in different applications and performance may vary over time. All operating parameters, including typical parameters, must be validated for each customer application by the customer's technical experts. Product specifications do not expand or otherwise modify Vishay's terms and conditions of purchase, including but not limited to the warranty expressed therein.

Except as expressly indicated in writing, Vishay products are not designed for use in medical, life-saving, or life-sustaining applications or for any other application in which the failure of the Vishay product could result in personal injury or death. Customers using or selling Vishay products not expressly indicated for use in such applications do so at their own risk. Please contact authorized Vishay personnel to obtain written terms and conditions regarding products designed for such applications.

No license, express or implied, by estoppel or otherwise, to any intellectual property rights is granted by this document or by any conduct of Vishay. Product names and markings noted herein may be trademarks of their respective owners.