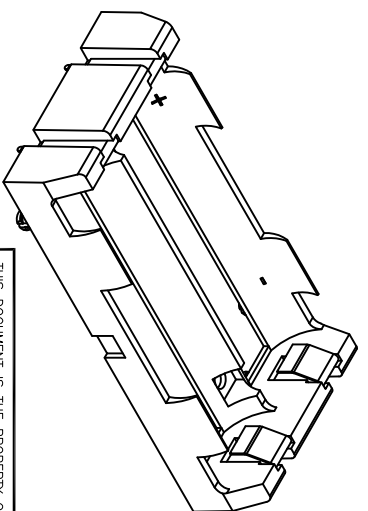


DATE	DESCRIPTION	REV.
8.24.10	CHANGE AS PER ECN 10-062	A
10.04.10	CHANGE PER ECN 10-069	B
10.26.10	CHANGE PER ECN 10-075	C
4.08.11	CHANGE PER ECN 11-046	D
10.08.13	CHANGE PER ECN 13-092	E
1.03.17	ECN 17-002, (F1) WAS 2.822 [71.64]	F

NOTE:
 1. BASE:
 MAT'L: HEAT RESISTANCE NYLON
 STANYL 46 OR EQUIVALENT

2. CONTACT:
 MAT'L: .012 [0.30]THK STAINLESS STEEL
 FINISH: TIN NICKEL PLATE



THIS DOCUMENT IS THE PROPERTY OF KEYSTONE ELECTRONICS CORP. AND SHALL NOT BE REPRODUCED, DISTRIBUTED OR USED AS A BASIS FOR MANUFACTURE WITHOUT PRIOR WRITTEN PERMISSION FROM KEYSTONE ELECTRONICS CORP.

KEYSTONE ELECTRONICS CORP.			
www.keystec.com • ASTORIA, N.Y. 11105-2017 • Tel (718) 956-8900			
PART NAME DUAL THM BATTERY HOLDER, 18650			
MATERIAL AS NOTED			
FINISH AS NOTED		DRN BY NT	DATE 8.19.10
TOLERANCES DECIMAL ± .010 [± 0.25] ANGULAR ± 1°		CODE C	DWG NO. 1049
		App'D LN	SCALE 1.25X

Mouser Electronics

Authorized Distributor

Click to View Pricing, Inventory, Delivery & Lifecycle Information:

[Keystone Electronics:](#)

[1049](#)