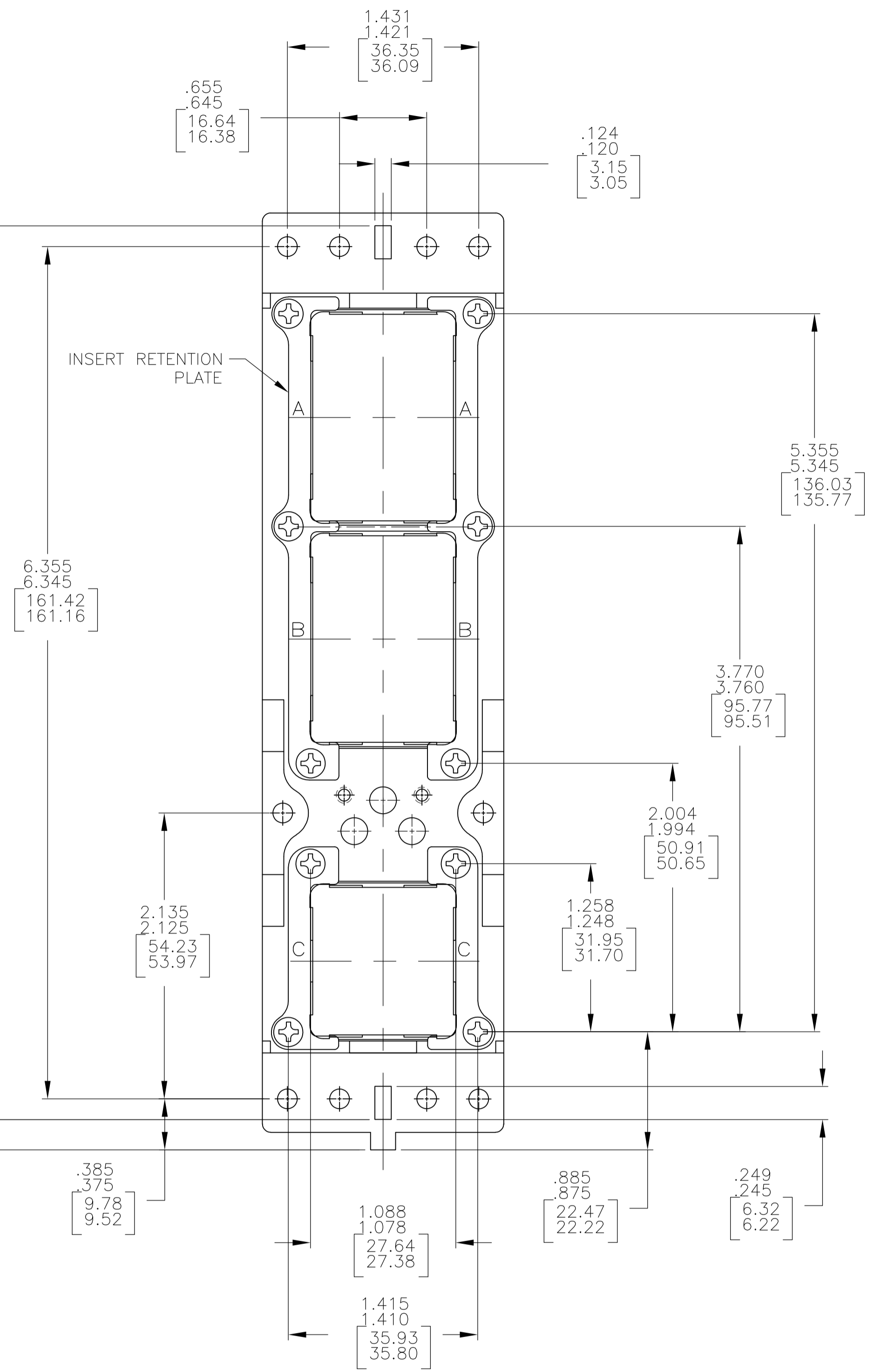
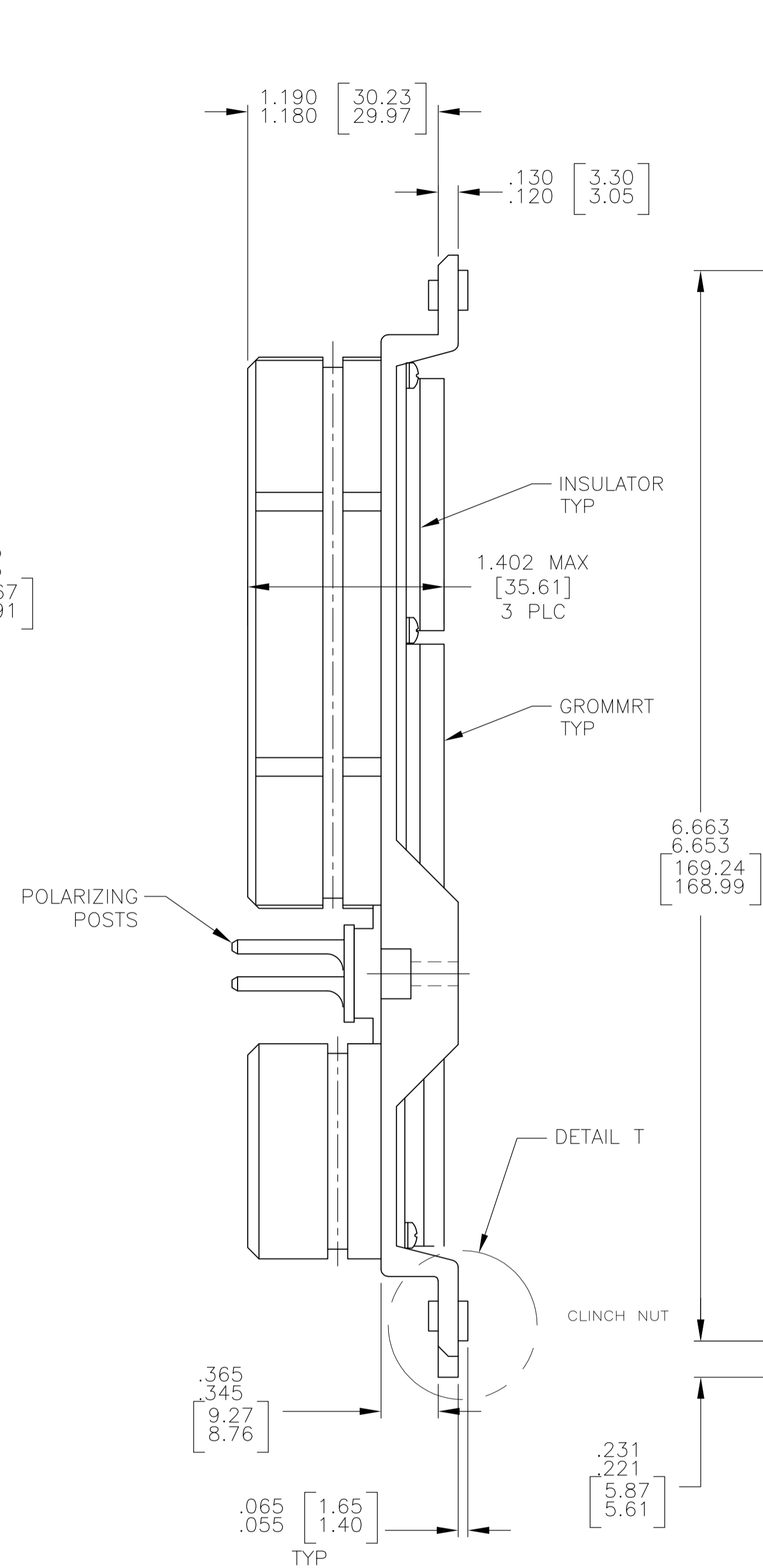
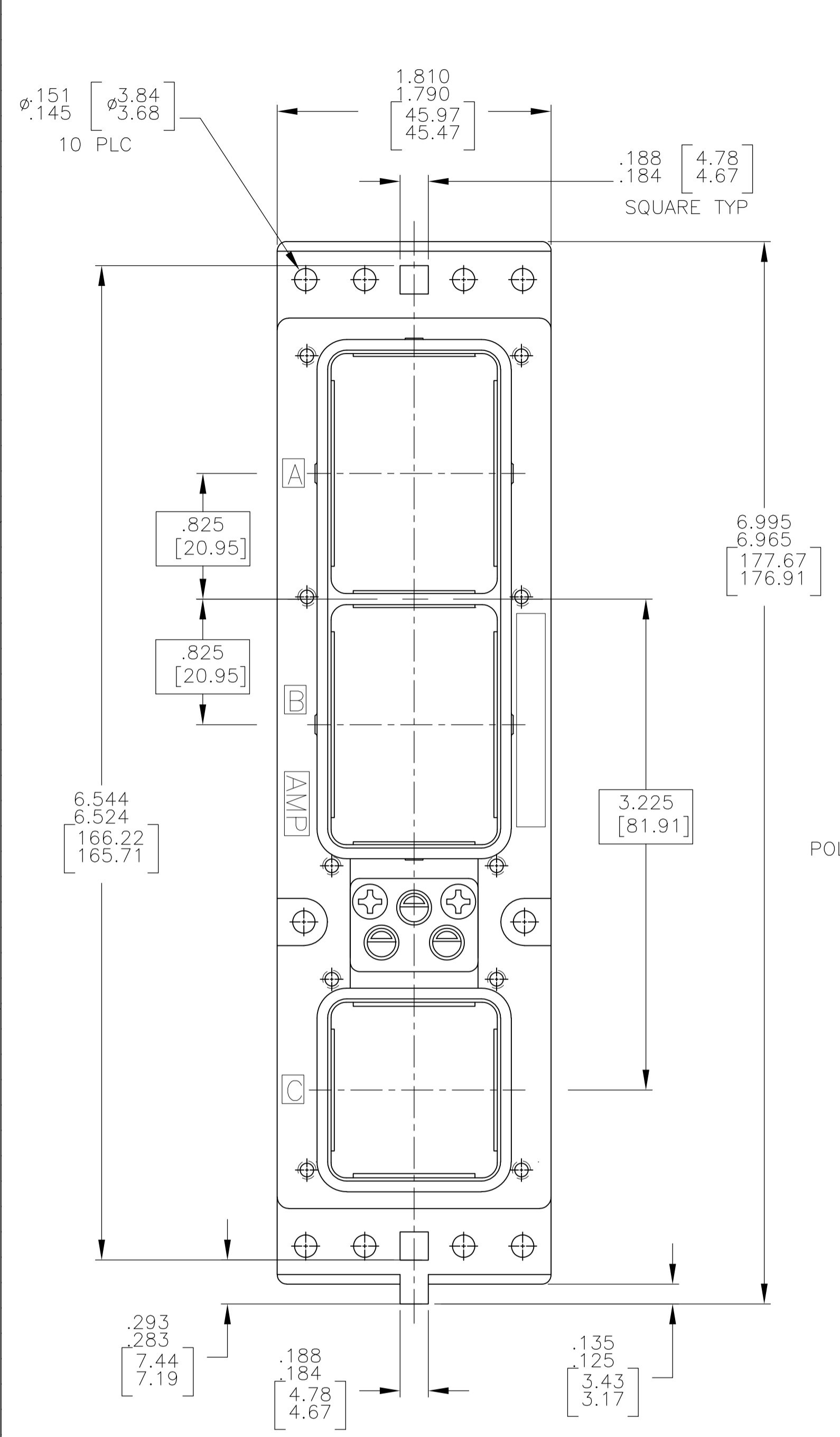
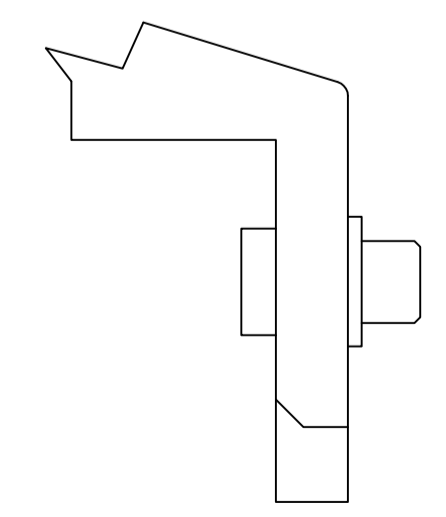


| REVISIONS | | | | |
|-----------|-------------|-------------|---------|-------|
| P | LTR | DESCRIPTION | DATE | APPV |
| AD | REV PER ECO | 17-011629 | 8-17-17 | CT RL |



| | |
|---|------------|
| BACC66H21C04AA01 | 4-208973-1 |
| NIC66H52B03AA0 | 4-208973-0 |
| NIC66H21B40AA1 | 3-208973-9 |
| NIC66H20B40AA1 | 3-208973-8 |
| INSERTS:150/OPEN/OPEN,STD MTG,NO CONTACTS | 3-208973-7 |
| INSERTS:150/150/OPEN,STD MTG,NO CONTACTS | 3-208973-6 |
| NIC66H21C06CD0 | 3-208973-5 |
| NIC66H21B06CD1 | 3-208973-4 |
| NIC66H21C09AA0 | 3-208973-3 |
| NIC66H21C09AA0 | 3-208973-2 |
| NIC66H20C00AA0 | 3-208973-1 |
| NIC66H21C00AA0 | 3-208973-0 |
| NIC66H20B08AA0 | 2-208973-9 |
| NIC66H20B03AA0 | 2-208973-8 |
| - | 2-208973-7 |
| CUST RESTRICTED DWG 2-208973-6 | 2-208973-6 |
| CUST RESTRICTED DWG 2-208973-5 | 2-208973-5 |
| NIC66H25B01AA1 W/ SPECIAL GROMMET | 2-208973-4 |
| NIC66H23B01AA1 W/ SPECIAL GROMMET | 2-208973-3 |
| NIC66H26B01AA1 | 2-208973-2 |
| NIC66H25B03AA1 W/ SPECIAL GROMMET | 2-208973-1 |
| NIC66H21C29AA0 | 2-208973-0 |
| NIC66H23B05AA1 W/ SPECIAL GROMMET | 1-208973-9 |
| NIC66H25B04AA1 W/ SPECIAL GROMMET | 1-208973-8 |
| CUST RESTRICTED DWG 1-208973-7 | 1-208973-7 |
| CUST RESTRICTED DWG 1-208973-6 | 1-208973-6 |
| CUST RESTRICTED DWG 1-208973-5 | 1-208973-5 |
| NIC66H23B08AA0 | 1-208973-4 |
| NIC66H21B04AA0 | 1-208973-3 |
| NIC66H21B05AA0 | 1-208973-2 |
| NIC66H26B02AA1 | 1-208973-1 |
| NIC66H21B01AA1 | 1-208973-0 |
| ADVANCE P/N | 208973-9 |
| NIC66H25C01AA1 | 208973-8 |
| NIC66H25C01AA0 | 208973-7 |
| NIC66H23C01AA1 | 208973-6 |
| NIC66H23B01AA0 | 208973-5 |
| ADVANCE P/N | 208973-4 |
| NIC66H21C01AA0 | 208973-3 |
| ADVANCE P/N | 208973-2 |
| NIC66H21B01AA0 | 208973-1 |
| DESCRIPTIVE NUMBER | |
| PART NUMBER | |

- CONNECTOR DIMENSIONS ARE PER ARINC 600 SPECIFICATION
- KEYING SHOWN IN POSITION "01" FOR REFERENCE ONLY. CONNECTOR SHIPPED WITH KEYING PER ORDERING INSTRUCTIONS. FOR POSITION "00" KEYING SHIPPED UNASSEMBLED.
- FOR SHIPMENT CONTACTS (IF ORDERED) ARE INCLUDED IN A CONTAINER WITHIN THE CONNECTOR PACKAGE. COAX CONTACTS ARE NOT SUPPLIED AND MUST BE ORDERED SEPARATELY.
- SPECIAL WITH INSERTS 150/71C1/34 STANDARD MOUNTING. ALL CONTACTS ORDERED SEPARATELY. KEYED TO POSITION 01
- PRELIMINARY PART NUMBER, NOT RELEASED FOR PRODUCTION



DETAIL T
CLINCH NUT
8 PLC
FOR -33, -34 AND -35 ONLY

| COMPONENT | MATERIAL | FINISH |
|---------------------------------|---------------------------------|--|
| SHELL | DIE CAST ALUMINUM PER ASTM-B-85 | CHEMICAL CONVERSION COATING PER MIL-C-5541, CLASS 1A |
| RETENTION PLATES | ALUMINUM ALLOY PER ASTM-B-209 | CHEMICAL CONVERSION COATING PER MIL-C-5541, CLASS 1A |
| SCREWS AND LOCKWASHERS | STEEL OR STAINLESS STEEL | CHROMATE OVER ZINC OR PASSIVATED |
| POLARIZING POSTS | ZINC ALLOY PER ASTM-B-86 | ELECTROLESS NICKEL PER MIL-C-26074, CLASS 4, GRADE B |
| INSERTS | THERMOSET | - |
| FILLER PLUG | TEFLON | - |
| POLARIZING POST RETAINING PLATE | ALUMINUM ALLOY PER ASTM-B-209 | BLUE ANODIZED PER MIL-A-8625 |

THIS DRAWING IS A CONTROLLED DOCUMENT.

| | | | |
|--------------------|--|-----------------------|---|
| DIMENSIONS: INCHES | TOLERANCES UNLESS OTHERWISE SPECIFIED: | DIN C.C.THOMAS 7-2-91 | 7-16-91 |
| 0 PLC ± .0005 | 1 PLC ± .0010 | APVD R. GROSS 7-16-91 | NAME |
| 2 PLC ± .0015 | 3 PLC ± .0020 | PRODUCT SPEC | CONNECTOR ASSY, SIZE 2, CLASS B/C, PLUG/ARINC 600 |
| 4 PLC ± .0025 | ANGLES ± .5° | APPLICATION SPEC | |
| MATERIAL SEE TABLE | FINISH SEE TABLE | WEIGHT 0.000000 | SIZE CAGE CODE DRAWING NO RESTRICTED TO |
| | | A1 00779 C=208973 | 100779 C=208973 |
| | | CUSTOMER DRAWING | SCALE 1:1 SHEET 1 OF 1 REV AD |

Mouser Electronics

Authorized Distributor

Click to View Pricing, Inventory, Delivery & Lifecycle Information:

[TE Connectivity:](#)

[4-208973-0](#)