



850-024  
AS39029/88 Type  
Thermocouple Socket Contact

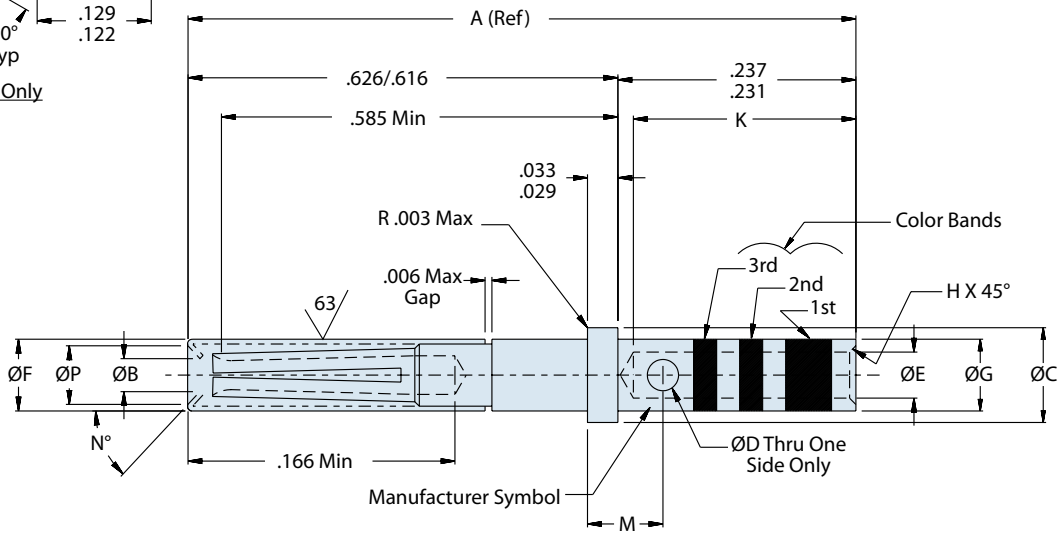
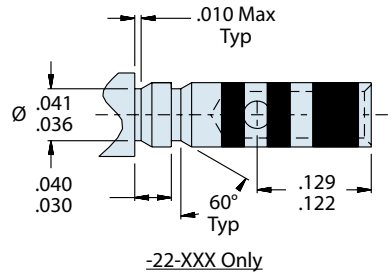
D38999  
Ser. I, III, IV

Thermocouple Socket Contact to Fit D38999 Series I, III and IV Connectors



Mating End Size	Wire Accomodation	Military Part Number	Glenair Part Number
22	22-28 AWG	M39029/88-482	850-024-22-482
22	22-28 AWG	M39029/88-483	850-024-22-483
22	22-28 AWG	M39029/88-484	850-024-22-484
22	22-28 AWG	M39029/88-485	850-024-22-485
20	20-24 AWG	M39029/88-486	850-024-20-486
20	20-24 AWG	M39029/88-487	850-024-20-487
20	20-24 AWG	M39029/88-488	850-024-20-488
20	20-24 AWG	M39029/88-489	850-024-20-489
16	16-20 AWG	M39029/88-490	850-024-16-490
16	16-20 AWG	M39029/88-491	850-024-16-491
16	16-20 AWG	M39029/88-492	850-024-16-492
16	16-20 AWG	M39029/88-493	850-024-16-493

D



**850-024**  
**AS39029/88 Type**  
**Thermocouple Socket Contact**



Special Purpose

**TABLE I: CONTACT DIMENSIONS**

Size	Military Number	Glenair Part Number	A (ref)	ø B	ø C	ø D	ø E	ø F Max	ø G	ø H
22	M39029/88-482	850-024-22-482	.855	.031 Min	.062 .060	.022 .018	.0355 .0335	.062	.048 .046	.005 .003
	M39029/88-483	850-024-22-483								
	M39029/88-484	850-024-22-484								
	M39029/88-485	850-024-22-485								
20	M39029/88-486	850-024-20-486	.855	.044 .042	.094 .091	.032 .026	.048 .046	.078	.070 .068	.010 .005
	M39029/88-487	850-024-20-487								
	M39029/88-488	850-024-20-488								
	M39029/88-489	850-024-20-489								
16	M39029/88-490	850-024-16-490	.855	.064 Min	.130 .127	.042 .036	.068 .066	.113	.103 .101	.010 .005
	M39029/88-491	850-024-16-491								
	M39029/88-492	850-024-16-492								
	M39029/88-493	850-024-16-493								

**TABLE I (Continued): CONTACT DIMENSIONS**

Size	Military Number	Glenair Part Number	K	M	Color Bands			Material	Plating
					1st	2nd	3rd		
22	M39029/88-482	850-024-22-482	.141 Min	-	Yellow	Gray	Red	Constantan	None
	M39029/88-483	850-024-22-483			Yellow	Gray	Orange	Alumel	None
	M39029/88-484	850-024-22-484			Yellow	Gray	Yellow	Chromel	None
	M39029/88-485	850-024-22-485			Yellow	Gray	Green	Iron	Cadmium Plate*
20	M39029/88-486	850-024-20-486	.229 .209	.078 .072	Yellow	Gray	Blue	Constantan	None
	M39029/88-487	850-024-20-487			Yellow	Gray	Violet	Alumel	None
	M39029/88-488	850-024-20-488			Yellow	Gray	Gray	Chromel	None
	M39029/88-489	850-024-20-489			Yellow	Gray	White	Iron	Cadmium Plate*
16	M39029/88-490	850-024-16-490	.229 .209	.088 .082	Yellow	White	Black	Constantan	None
	M39029/88-491	850-024-16-491			Yellow	White	Brown	Alumel	None
	M39029/88-492	850-024-16-492			Yellow	White	Red	Chromel	None
	M39029/88-493	850-024-16-493			Yellow	White	Orange	Iron	Cadmium Plate*

\*Chromate Clear Coat.

**TABLE II: TOOL COMPATIBILITY**

Size	Military Number	Glenair Part Number	AWG Handling	Crimp Tool	Positioner	Insertion Tool	Extraction Tool
22	M39029/88-482	850-024-22-482	22, 24, 26	M22520/2-01 M22520/7-01	M22520/2-07 M22520//7-05	M81969/14-01 M81969/8-01	M81969/14-01 M81969/8-02
	M39029/88-483	850-024-22-483					
	M39029/88-484	850-024-22-484					
	M39029/88-485	850-024-22-485					
20	M39029/88-486	850-024-20-486	20, 22, 24	M22520/7-01 M22520/2-01 M22520/1-01	M22520/7-08 M22520/2-10 M22520/1-04 (Red)	M81969/8-05 M81969/14-02	M81969/8-06 M81969/14-02
	M39029/88-487	850-024-20-487					
	M39029/88-488	850-024-20-488					
	M39029/88-489	850-024-20-489					
16	M39029/88-490	850-024-16-490	16, 18, 20	M22520/1-01 M22520/7-01	M22520/1-04 (Blue) M22520/7-04	M81969/8-07 M81969/14-03	M81969/8-08 M81969/14-03
	M39029/88-491	850-024-16-491					
	M39029/88-492	850-024-16-492					
	M39029/88-493	850-024-16-493					

# Mouser Electronics

Authorized Distributor

Click to View Pricing, Inventory, Delivery & Lifecycle Information:

## Glenair:

[M39029/88-482](#) [M39029/88-492](#) [M39029/88-485](#) [M39029/88-489](#) [M39029/88-491](#) [M39029/88-488](#) [M39029/88-490](#)  
[M39029/88-487](#) [M39029/88-484](#) [M39029/88-486](#) [M39029/88-483](#) [M39029/88-493](#)