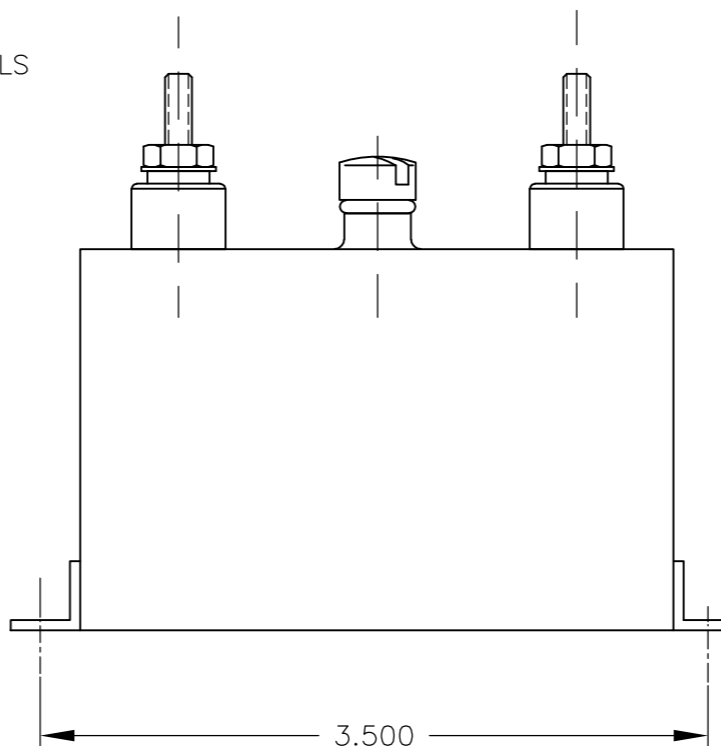
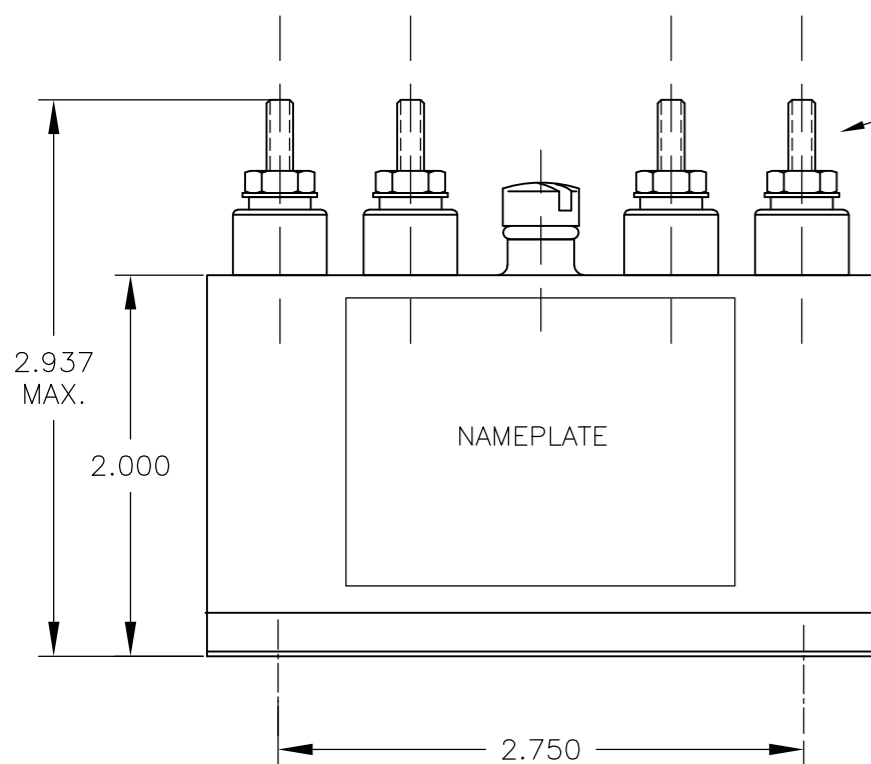
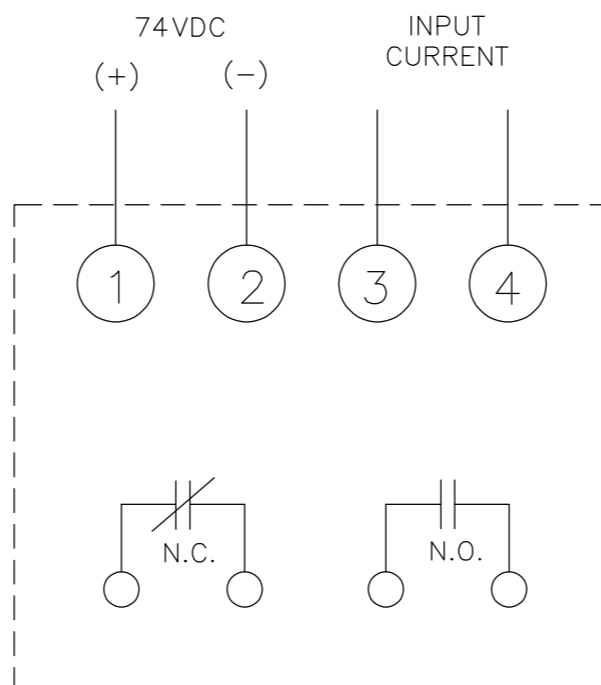


1 1/64" DIA.
4 MTG. HOLES

10-32 TERMINALS
(8 PLACES)



CONNECTION DIAGRAM



SPECIFICATIONS

- CONTROL VOLTAGE : 74 VOLTS DC.
- INPUT CURRENT : 0-30 AMP AC, 50Hz TO 500Hz.
- OPERATION : THE SELF CONTAINED OUTPUT RELAY ACTUATES WHEN INPUT CURRENT EXCEEDS THE PRESET VALUE.
- PICK-UP ADJUSTMENT RANGE : 7 AMPS TO 30 AMPS. SCREWDRIVER ADJUSTABLE.
- OUTPUT CONTACTS : ONE SET N.C.; ONE SET N.O.
- CONTACT RATING : 5 AMP. RESISTIVE AT 120VAC OR 28VDC IN
- BURDEN : CURRENT CIRCUIT : 2.5VA AT 30AMP
CURRENT VOLTAGE : 1.0VA
- CONSTRUCTION : SOLID STATE SENSOR WITH RELAY OUTPUT ENCLOSED IN A SEALED STEEL CAN.

NOTES

- REMOVE SCREW FOR ACCESS TO PICK-UP ADJUST.
- CLOCKWISE ROTATION OF THE ADJUSTING POTENTIOMETER WILL RAISE THE CURRENT TRIP POINT.
- THE CONTACTS ARE SHOWN IN THE DE-ENERGIZED POSITION.
- RELAYS MANUFACTURED FOR ELECTRO-MOTIVE DIVISION ARE FACTORY SET AS FOLLOWS:
EMD PART NO. 9097134 : 11.5 AMP
EMD PART NO. 10571447 : 7.0 AMP
- RELAYS FOR ELECTRO-MOTIVE DIV. TO BE STAMPED EMD # 9097134 OR EMD # 10571447 IN LOCATION SHOWN. SERIAL NO. AND DATE ALSO TO APPEAR ON FACE OF RELAY.
- CONTACT RESISTANCE IS FACTORY TESTED NOT TO EXCEED 100mΩ AT 28VDC AND 100mA.

CD CUSTOMER DRAWING

DRAWING PER ASME/ANSI Y14.5 THIRD ANGLE PROJECTION				550 Linden Ave. Carpinteria, CA US 93013 Internet: www.te.com	
ALL DIMENSIONS ARE IN INCHES UNLESS OTHERWISE SPECIFIED. Block Tolerances are not applied if values are set to zero.					
FRACTIONS DECIMALS ANGLES		TITLE			
±1/64 .XX = ±.01 ± 1°		RELAY, CURRENT SENSITIVE			
±1. @.005 .005		ECD No.	REV.	KILOVAC. NO.	
CAGE CODE		REDRAW	A	SD	1100-21X
18741	EDITED BY RM	EFTV DATE 07-02-14	APPROVED BY TN	APRV DATE 07-02-14	SCALE 1:1
DO NOT SCALE DRAWING		SHEET 1 of 1		SIZE B	

Mouser Electronics

Authorized Distributor

Click to View Pricing, Inventory, Delivery & Lifecycle Information:

[TE Connectivity:](#)

[1100-21X](#)